

Logis

Single lever basin mixer 110 Fine without waste set

Surfaces: **Chrome** Article Number: **71253000**



Description

product features

- ComfortZone 110
- projection 121 mm
- maximum flow rate at 3 bar: 5 l/min
- ceramic cartridge
- temperature limitation adjustable
- suitable for continuous flow water heaters
- connection type: G 3/8 connections
- connection dimension: DN15

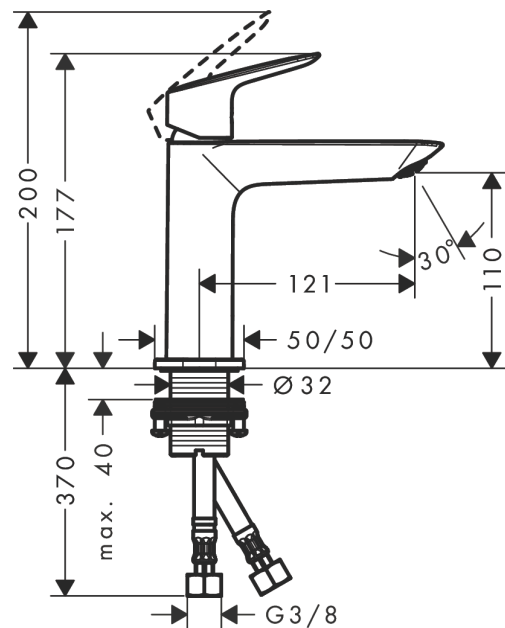
Technology



Product image



Scale drawing



Flowchart

