

## AXOR Starck

Electronic basin mixer with temperature pre-adjustment with mains connection 230 V

Surfaces: **Chrome** Article Number: **10145000**



### Description

#### product features

- ComfortZone 90
- projection 103 mm
- normal spray
- flow rate at 3 bar: 5 l/min
- temperature pre-adjustable
- suitable for continuous flow water heaters
- infrared sensor technology
- automatic environmental adjustment of infrared sensor
- adjustable optical range of infrared sensor (2 settings)
- 230 V / 50 Hz mains connection
- hygiene rinse activatable (automatic water flow for 10 seconds every 24 hours following the last operation)
- permanent rinse activatable (single water flow for 180 seconds, suitable for thermal disinfection)
- manual water stop for washbasin cleaning
- performance may be impaired if the sensor is obscured by the design of the wash basin, or when the wash basin is oversized and the distance between sensor and the wash basin edge is larger than 75 mm
- functional restriction due to too large distance
- connection dimension: DN15
- TÜV certified
- dirt filters in the connection hoses

### Technology



## AXOR Starck

Electronic basin mixer with temperature pre-adjustment with mains connection 230 V

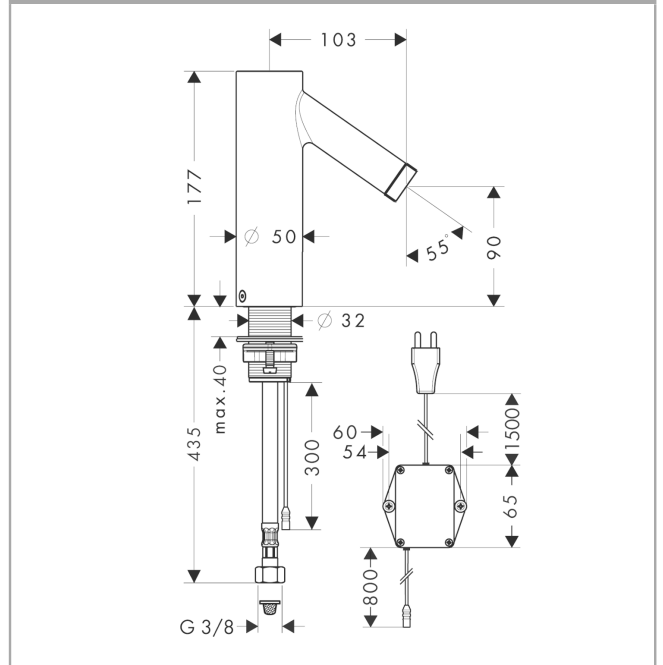
Surfaces: **Chrome** Article Number: **10145000**



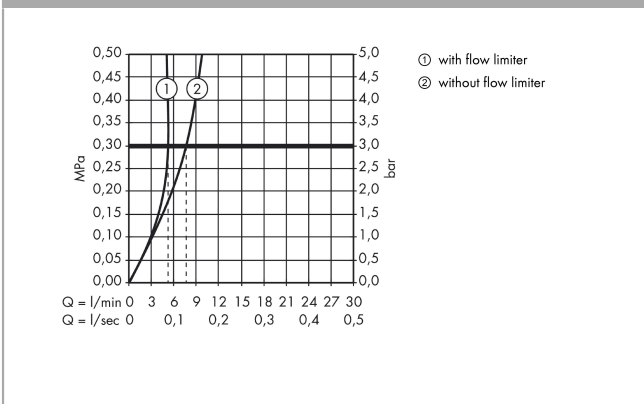
### Product image



### Scale drawing



### Flowchart

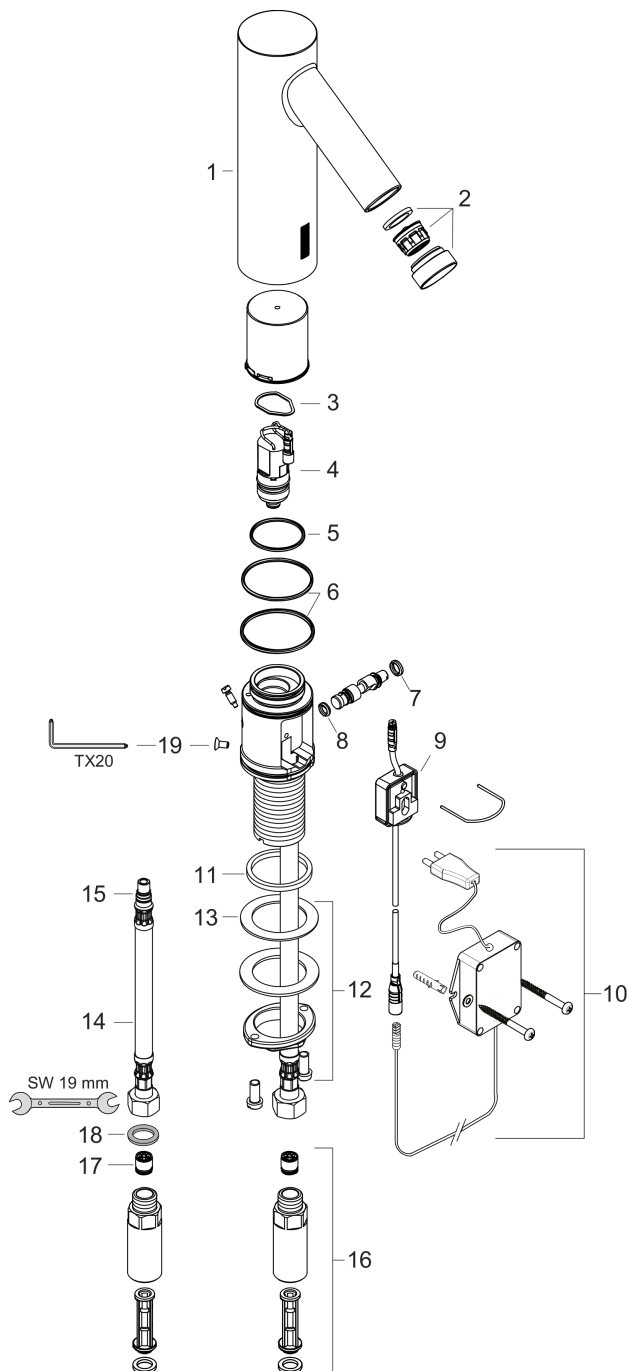


**AXOR Starck**  
**Electronic basin mixer with temperature pre-adjustment with mains connection 230 V**  
 Surfaces: **Chrome** Article Number: **10145000**



## Exploded Drawing

Year of production: >02/16



## AXOR Starck

Electronic basin mixer with temperature pre-adjustment with mains connection 230 V

Surfaces: **Chrome** Article Number: **10145000**



### Spare part list

Year of production: >02/16

Pos.	Description	Article Number	PC	PU
1	mixer-hood	92302000	0	1
2	aerator M24x1 (5 l/min)	95379000	0	1
3	O-ring 17x2	98199000	0	1
4	solenoid valve	95654000	0	1
5	O-ring 31x2	98204000	0	1
6	O-ring 41x2	98212000	0	1
7	O-ring 6x2	98458000	0	1
8	O-ring 5x2	98215000	0	1
9	electronics	92346000	0	1
10	transformer	98800000	0	1
11	flat seal	98749000	0	1
12	fixing set (Ø 32)	13961000	0	1
13	lever collar	97548000	0	1
14	connection hose 450 mm M8x0,75 G3/8	98809000	0	1
15	O-ring 7x1,5	98422000	0	1
16	back flow preventor cartridge with microfilter	92297000	0	1
17	sealing set	95581000	0	1
18	non return valve DW 10	96456000	0	1
19	screw	93272000	0	1
a	fixation extension 35 mm	13898000	0	1