

AXOR Carlton
Overhead shower 240 1jet Classic
Surfaces: **Chrome** Article Number: **28474000**

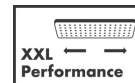


Description

product features

- shower head size: 240 mm
- overhead shower angle adjustable
- spray type: RainAir
- maximum flow rate at 0.3 MPa: 17 l/min
- flow rate RainAir spray (at 0.3 MPa): 17 l/min
- fully chrome-plated spray disc
- material spray disc: metal
- installation: ceiling or wall
- connection thread G 1/2
- connection dimension: DN15

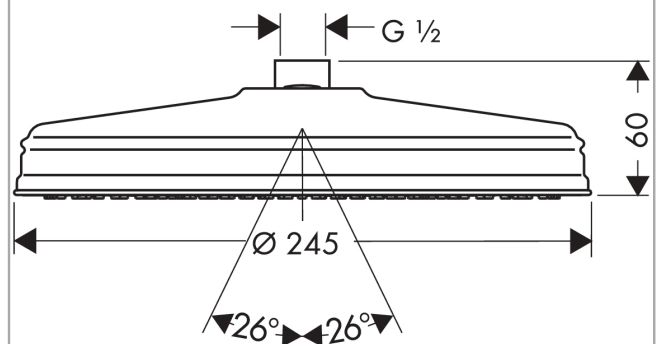
Technology



Product image



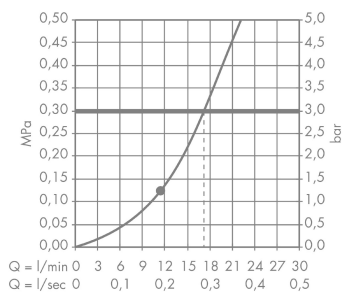
Scale drawing



AXOR Carlton
Overhead shower 240 1jet Classic
 Surfaces: **Chrome** Article Number: **28474000**



Flowchart



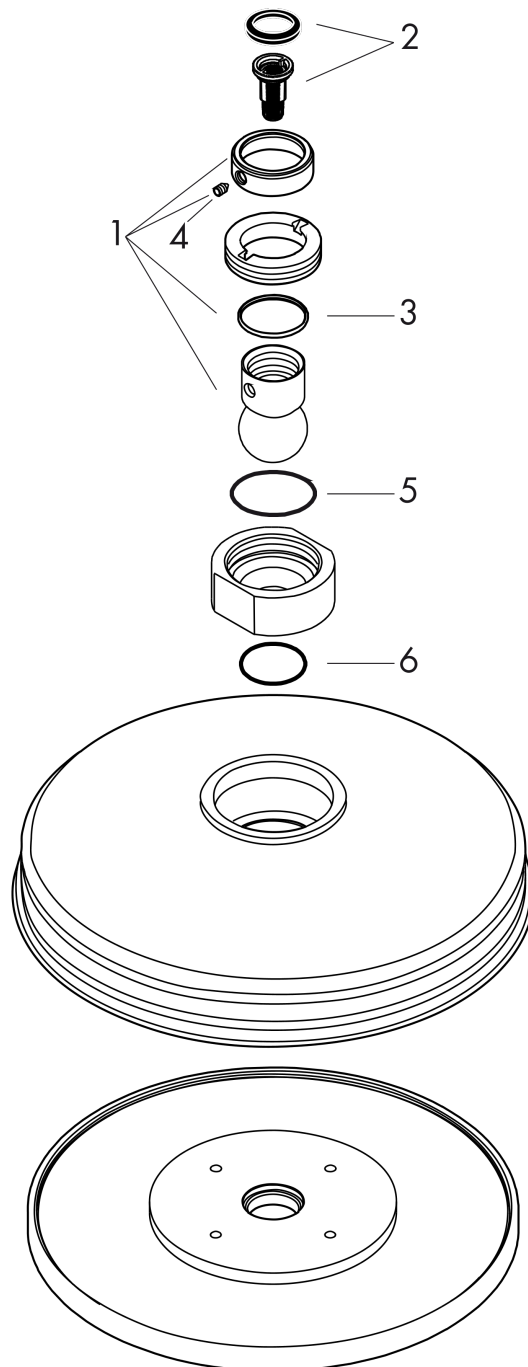
The consumption was measured in combination with the appropriate fittings (thermostat/mixer/
 in-wall valve) to reflect actual application in practice.

AXOR Carlton
Overhead shower 240 1jet Classic
Surfaces: **Chrome** Article Number: **28474000**



Exploded Drawing

Year of production: >05/11



AXOR Carlton
Overhead shower 240 1jet Classic
 Surfaces: **Chrome** Article Number: **28474000**



Spare part list

Year of production: >05/11

Pos.	Description	Article Number	PC	PU
1	ball joint	98941000	0	1
2	filter insert	97708000	0	1
3	lever collar	97536000	0	1
4	hollow set screw M4x6	97767000	0	1
5	O-ring 23x3	98142000	0	1
6	O-ring 18x2	98181000	0	1
a	non return valve	95699000	0	1