

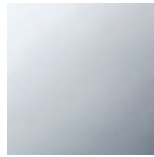
WC - Madison

Tissue holder with cover - polished chrome

Article number: 83 510 361-00

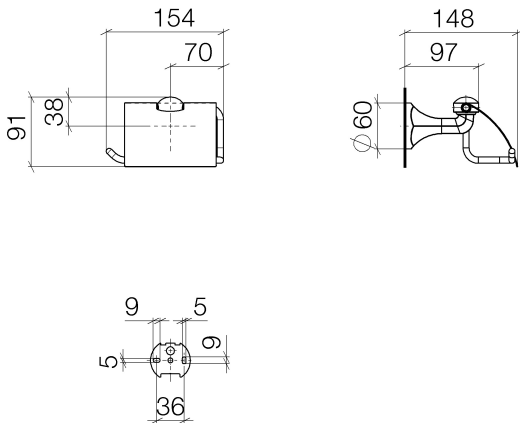


- width 145mm
- height 90 mm
- 150 mm projection



polished chrome

Dimensional drawing



All details in mm / inch = mm x 0.0394



WC - Madison

Tissue holder with cover - polished chrome

Article number: 83 510 361-00

Other finish variants



platinum matt
83 510 361-06



platinum
83 510 361-08



Durabrass
83 510 361-09

Other finishes on request (x-tra Service)