

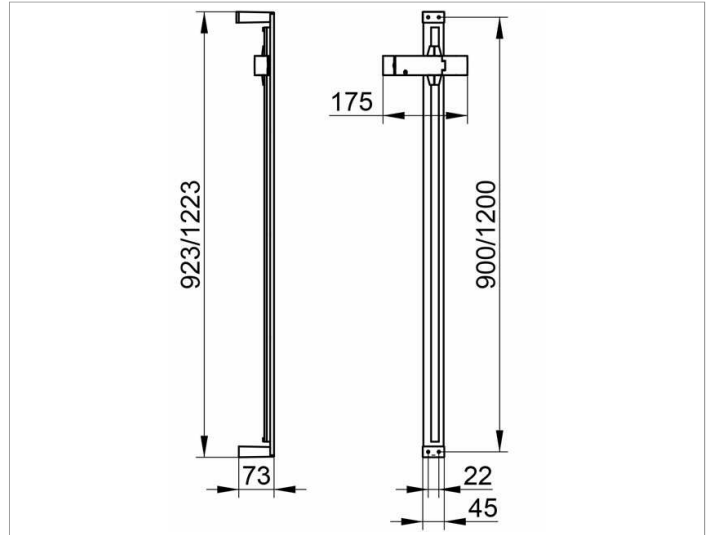
Edition 11

51185010900 Hand shower sliding rail

PRODUCT



DRAWING



PRODUCT ATTRIBUTES

consisting of:
- rail and hand-shower bracket
height adjustable with handle,
with adjustable tilt angle
- spacer disc (5 mm)

SURFACE

chrome-plated

DIMENSION

900 mm