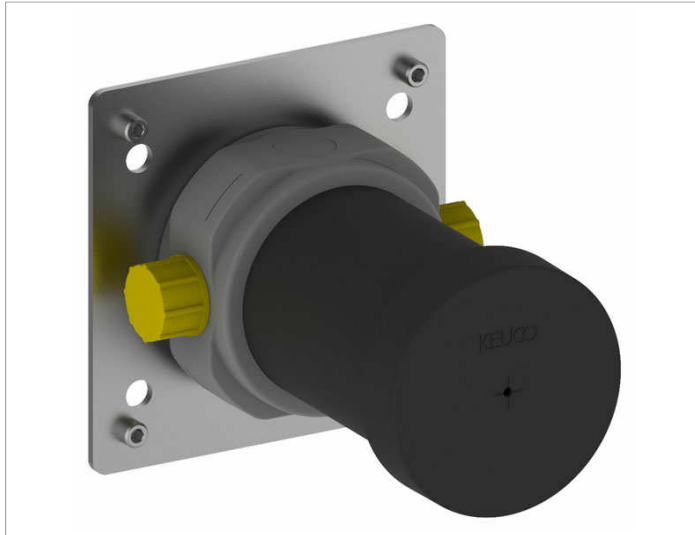
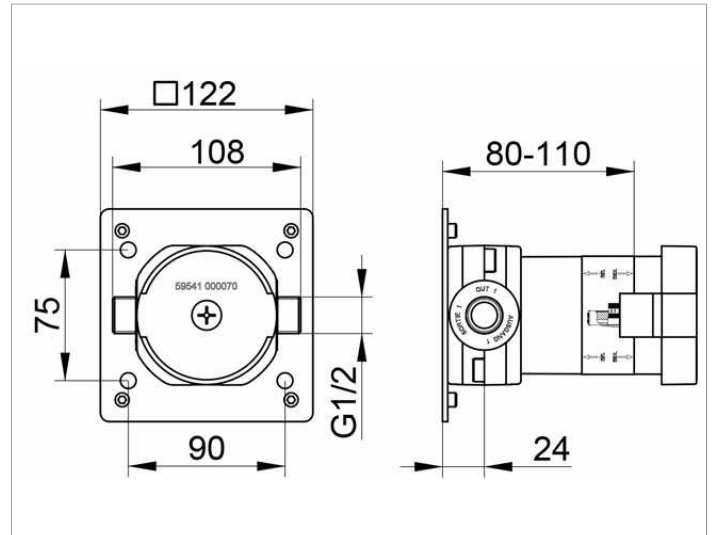


**IXMO**  
**59541000070** Installation unit for stop valve DN 15

**PRODUCT**



**DRAWING**



**PRODUCT ATTRIBUTES**

Rough part for recessed installation  
 installation depth 80 - 110 mm

**SPECIFICATIONS**

KEUCO IXMO installation unit for stop valve, for recessed installation DN15, 59541000070 sound-insulated rough part made of low-dezincifying brass for recessed installation, freely positionable, installation depth 80 mm – 110 mm, base plate with adjusting screws for optimal positioning, Connection G 1/2 inch with colour marking, Note: Suitable for article no: 59541010001 59541010002