

Date:

Client:

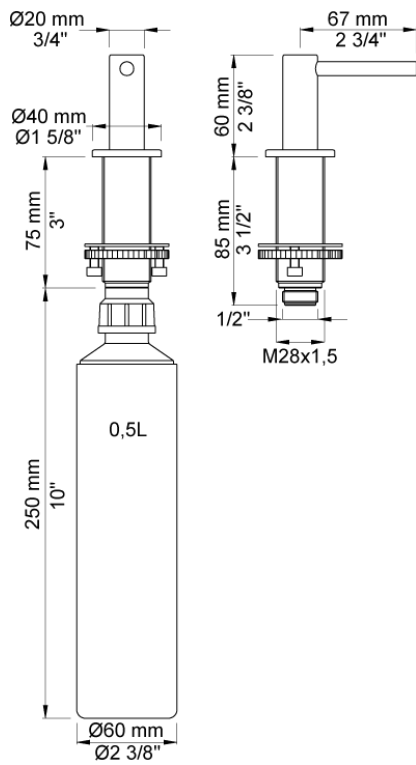
Project:

VOLA product: T36



T36

Deck-mounted soap dispenser. pH neutral liquid soap can be used (pH value: 4,5 - 7,5). Viscosity: approx. 1500cP - 2000cP at 20°C.



Available in colors

- Color 16, Polished chrome
- Color 19, Natural brass
- Color 20, Brushed chrome
- Color 40, Brushed stainless steel