

Date: \_\_\_\_\_

Client: \_\_\_\_\_

Project: \_\_\_\_\_

VOLA product: 912



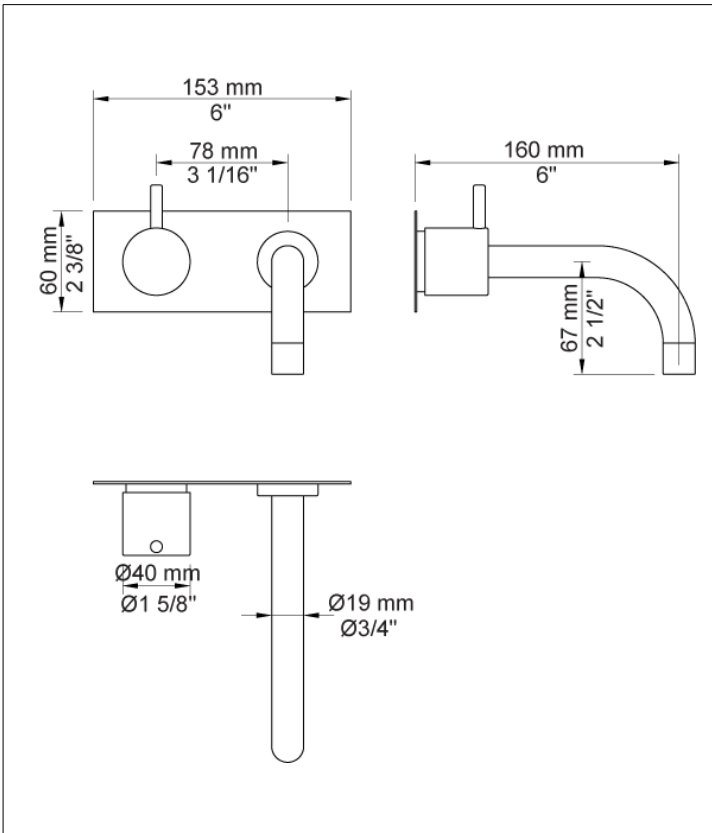
**912**

Build-in basin tap with ¼ turn ceramic disc technology. 912UP = Valve 900. 912AP = Handle NR17, 160 mm fixed spout 010, two-hole plate 60 x 153 mm 002.

**Flow**

	Bar:	1.0	2.0	3.0	4.0	5.0
912	(l/min)	2.9	4.1	5.0	5.0	5.0
912 <sup>1)</sup>	(l/min)	2.6	3.7	4.5	4.5	4.5

<sup>1)</sup> USA standard



**Available in colors**

- Color 02, Grey
- Color 04, Light blue
- Color 05, Orange
- Color 06, Light green
- Color 08, Yellow
- Color 09, Dark grey
- Color 12, Mocca
- Color 14, Bright red
- Color 15, Dark blue
- Color 16, Polished chrome
- Color 17, Gloss black
- Color 18, White
- Color 19, Natural brass
- Color 20, Brushed chrome
- Color 21, Carmine red
- Color 25, Pink
- Color 27, Matt black
- Color 40, Brushed stainless steel



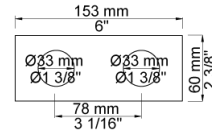
Date:

Client:

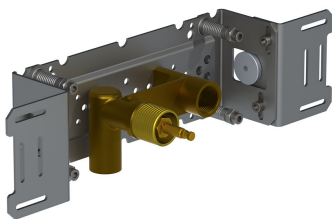
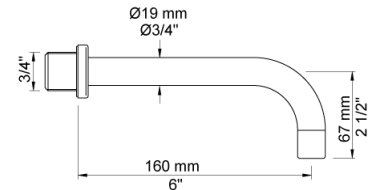
Project:



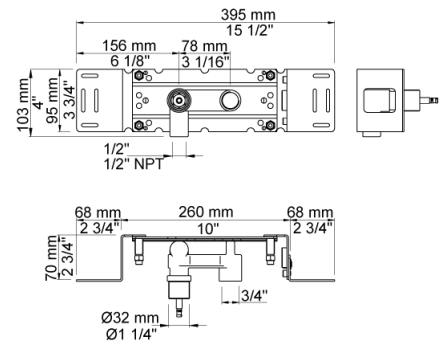
**002**  
Two-hole plate, 60 x 153 mm. Holes Ø33 mm.



**010**  
160 mm fixed spout with water saving aerator.



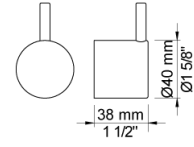
**900**  
Build-in single feed with fixed outlet socket. 1/2" connection to copper, steel, iron or pex pipe work.



Date:

Client:

Project:



**NR17**

Operating handle for 600, 700, 800, 900, 1500, 2800, 2900, S20, S21, S40, S42 incl. variants. Ø40 mm.