

Date:

Client:

Project:

VOLA product: RB1E



RB1E

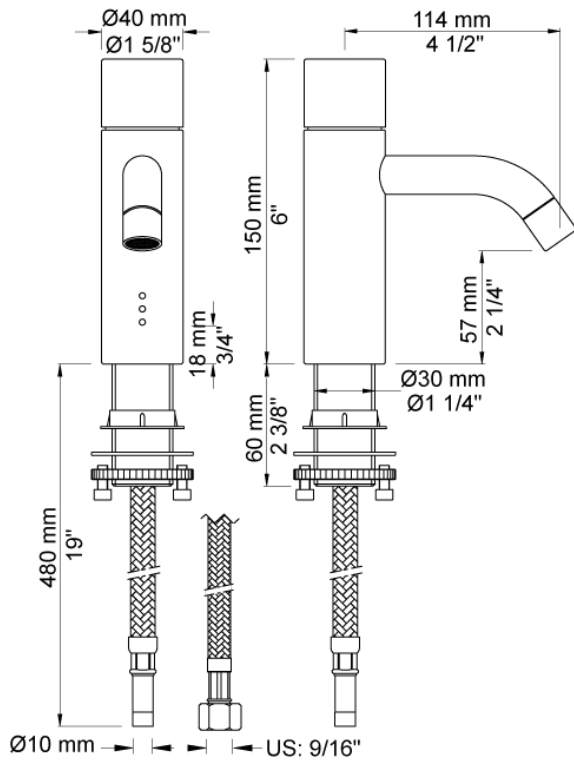
Basin pillar tap with on-off sensor for 'hands free' operation. RB1E comes complete with batteries. Valve box, VR2617 included.

Ada approved.

Flow

	Bar:	1.0	2.0	3.0	4.0	5.0
RB1E	(l/min)	2.9	4.1	5.0	5.0	5.0
RB1E ¹⁾	(l/min)	2.6	3.7	4.5	4.5	4.5

¹⁾ USA standard



Available in colors

- Color 02, Grey
- Color 04, Light blue
- Color 05, Orange
- Color 06, Light green
- Color 08, Yellow
- Color 09, Dark grey
- Color 12, Mocca
- Color 14, Bright red
- Color 15, Dark blue
- Color 16, Polished chrome
- Color 17, Gloss black
- Color 18, White
- Color 19, Natural brass
- Color 20, Brushed chrome
- Color 21, Carmine red
- Color 25, Pink
- Color 27, Matt black
- Color 40, Brushed stainless steel



Date:

Client:

Project:



VR2617
Valve box for electronic RB1E/4000/4300/4800

