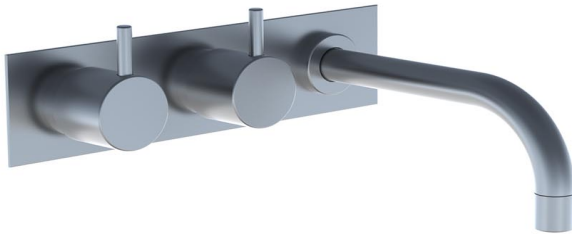


Date:

Client:

Project:

VOLA product: 613K



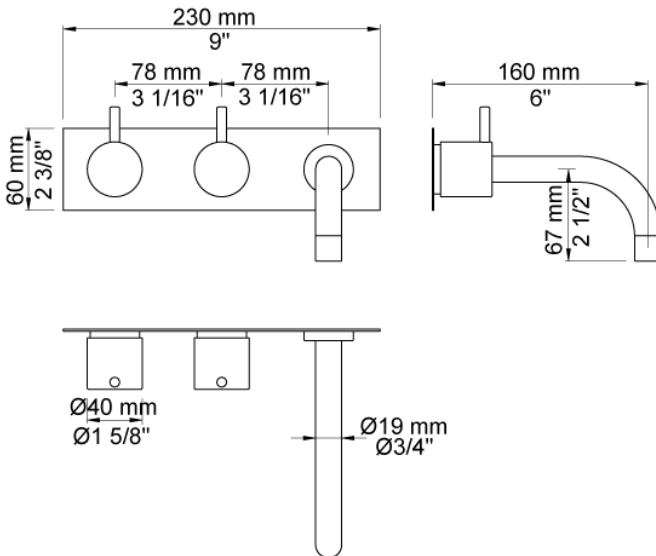
613K

Two-handle build-in mixer with ¼ turn ceramic disc technology. 613KUP = Mixer 600. 613KAP = 2 pcs. handles NR17, 160 mm fixed spout 010, three-hole plate 60 x 230 mm 003K.

Flow

	Bar:	1.0	2.0	3.0	4.0	5.0
613K	(l/min)	2.9	4.1	5.0	5.0	5.0
613K ¹⁾	(l/min)	2.6	3.7	4.5	4.5	4.5

¹⁾ USA standard



Available in colors

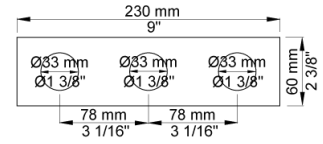
- Color 02, Grey
- Color 04, Light blue
- Color 05, Orange
- Color 06, Light green
- Color 08, Yellow
- Color 09, Dark grey
- Color 12, Mocca
- Color 14, Bright red
- Color 15, Dark blue
- Color 16, Polished chrome
- Color 17, Gloss black
- Color 18, White
- Color 19, Natural brass
- Color 20, Brushed chrome
- Color 21, Carmine red
- Color 25, Pink
- Color 27, Matt black
- Color 40, Brushed stainless steel



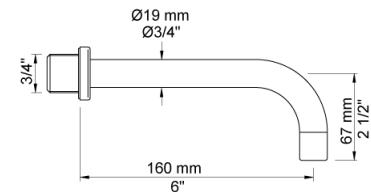
Date:

Client:

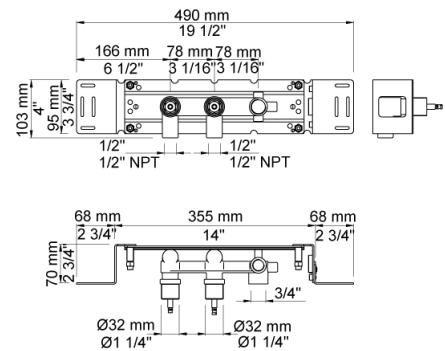
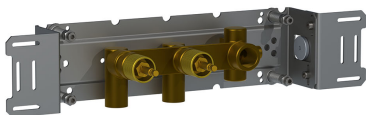
Project:



003K
Three-hole plate, 60 x 230 mm. Holes Ø33 mm.



010
160 mm fixed spout with water saving aerator.

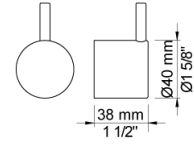


600
Two-handle build-in mixer, with fixed outlet socket. 1/2" connection to copper, steel, iron or pex pipe work.

Date:

Client:

Project:



NR17

Operating handle for 600, 700, 800, 900, 1500, 2800, 2900, S20, S21, S40, S42 incl. variants. Ø40 mm.