
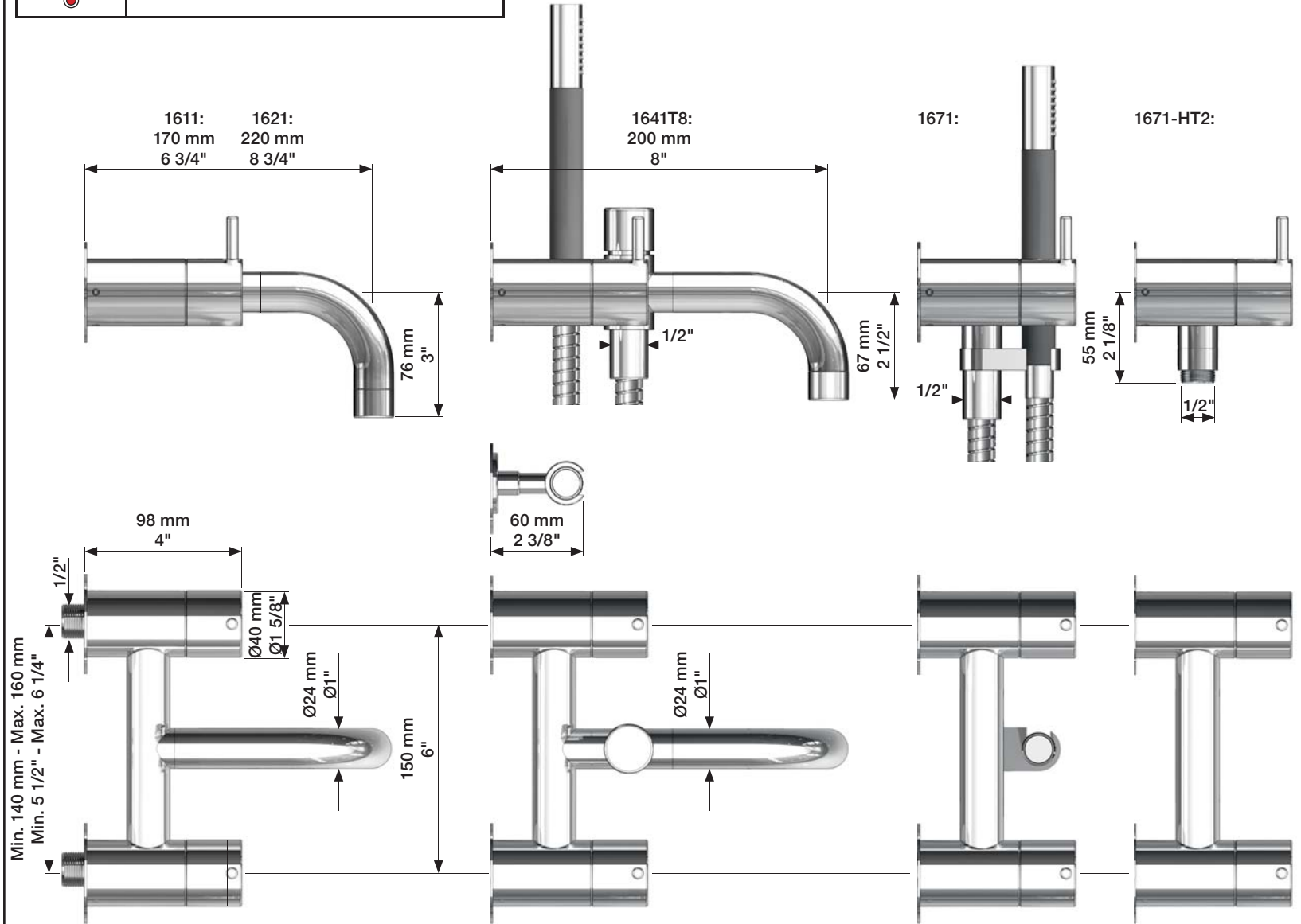
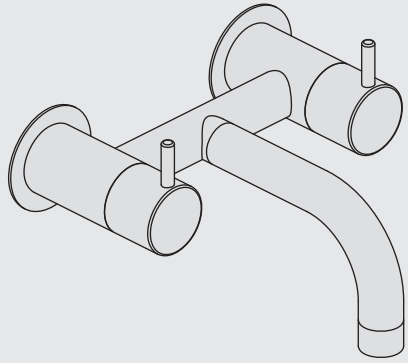
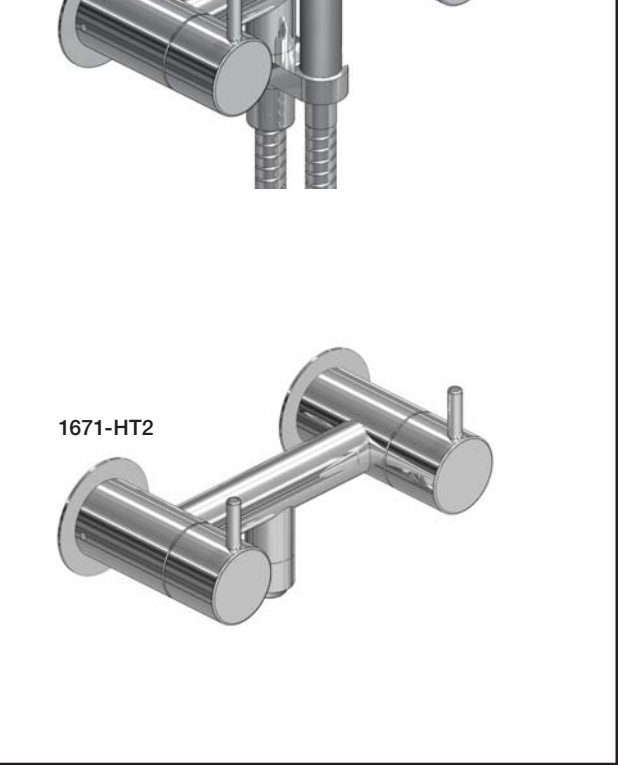
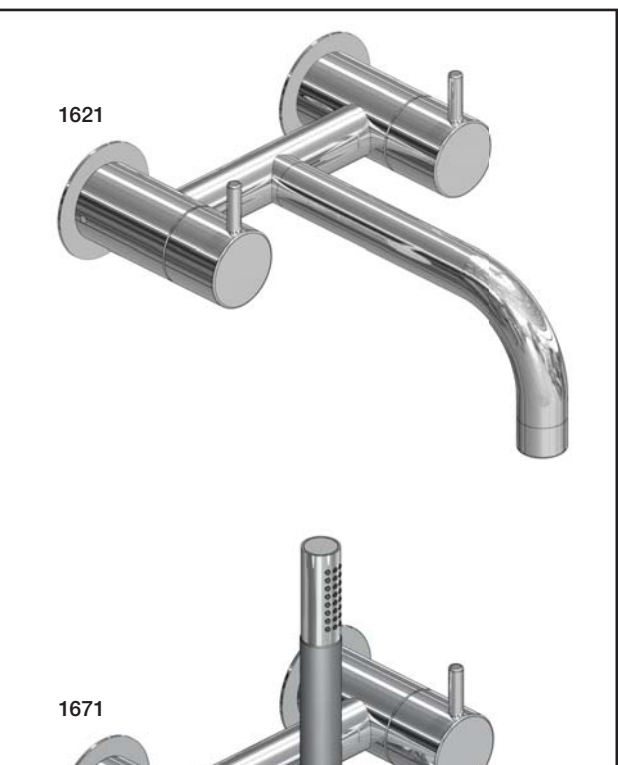
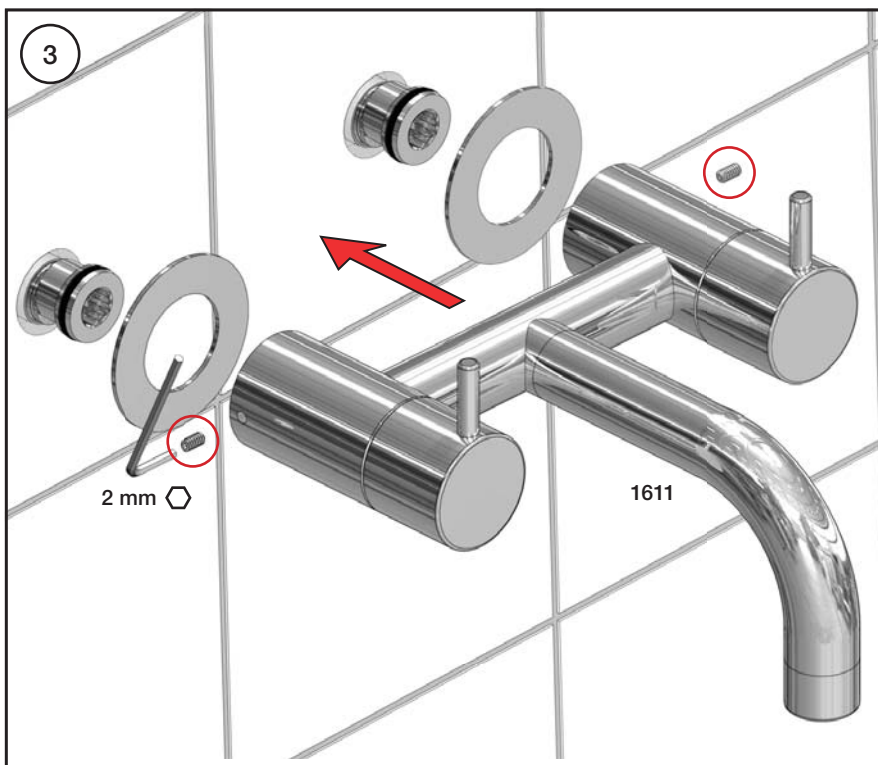
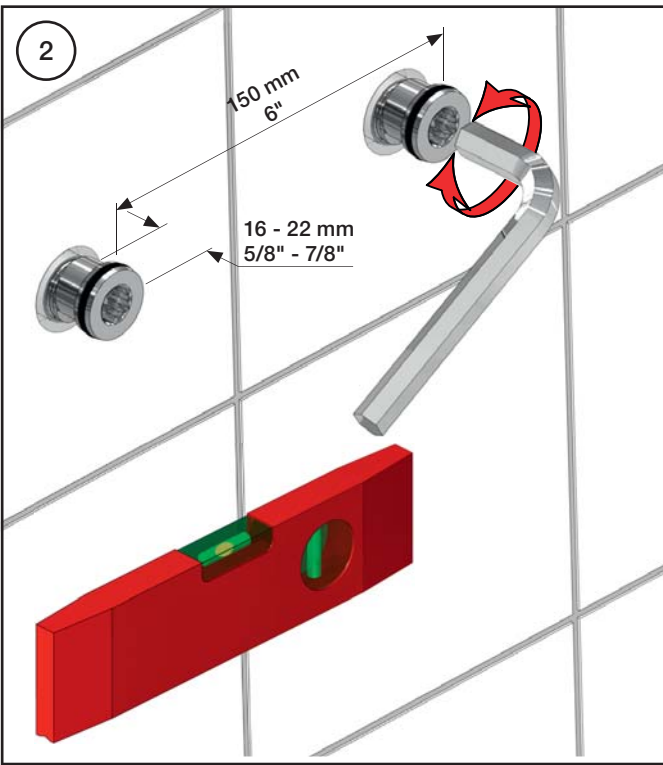
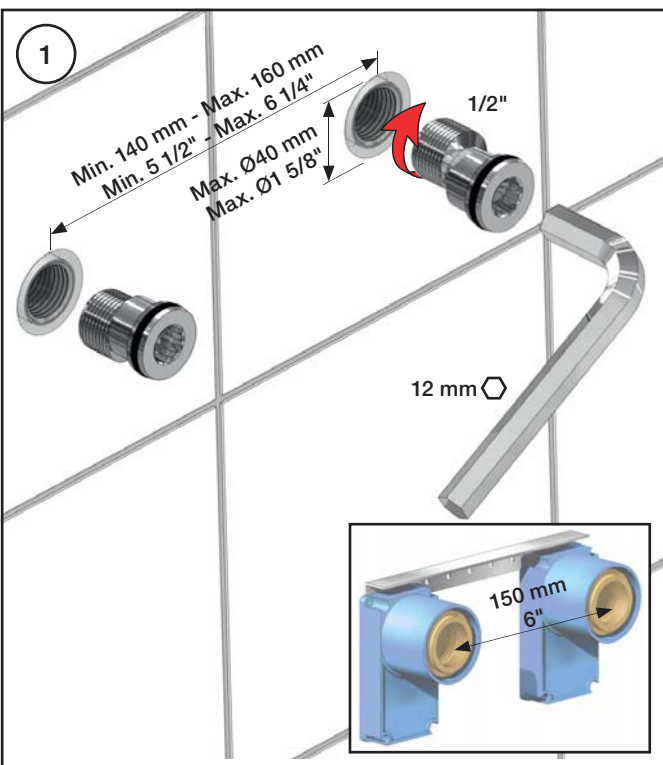


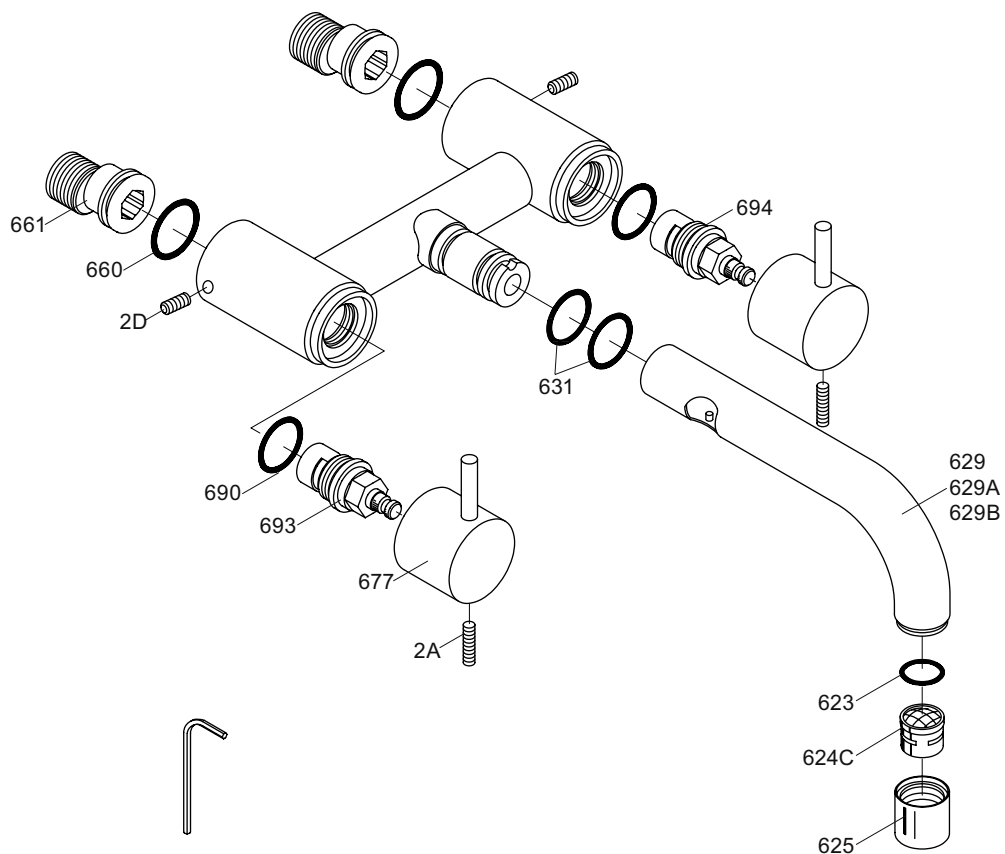
VOLA 1600

Fitting instruction
 Montageanleitung
 Monteringsvejledning
 Monteringsvægledning
 Montage hanleiding
 Manuel de montage

Data	Bar:	1	2	3	4	5
1611/1621	(l/min) (Gal/min)	13.4 3.5	18.9 5.0	23.2 6.1	26.8 7.1	30.0 7.9
1641	(l/min) (Gal/min)	11.4 3.0	16.2 4.3	19.8 5.3	22.9 6.1	25.6 6.8
1641 - T2	(l/min) (Gal/min)	6.6 1.74	9.4 2.5	11.5 3.0	13.3 3.5	14.8 3.9
1671 - T2	(l/min)	9.9	14.0	17.2	19.9	22.2
1671-HT2	(Gal/min)	2.6	3.7	4.5	5.3	5.9
	Max. 65°C. 150°F					







VR090D/C: VR623, VR624C, 4xVR631, VR1902



vola
Lunavej 2
DK-8700 Horsens
Tlf : + 45 7023 5500
Fax: + 45 7023 5511
sales@vola.com
www.vola.com

VOLA 1611

Date
Jan. 96

Rev.
1

Sheet
SB 49