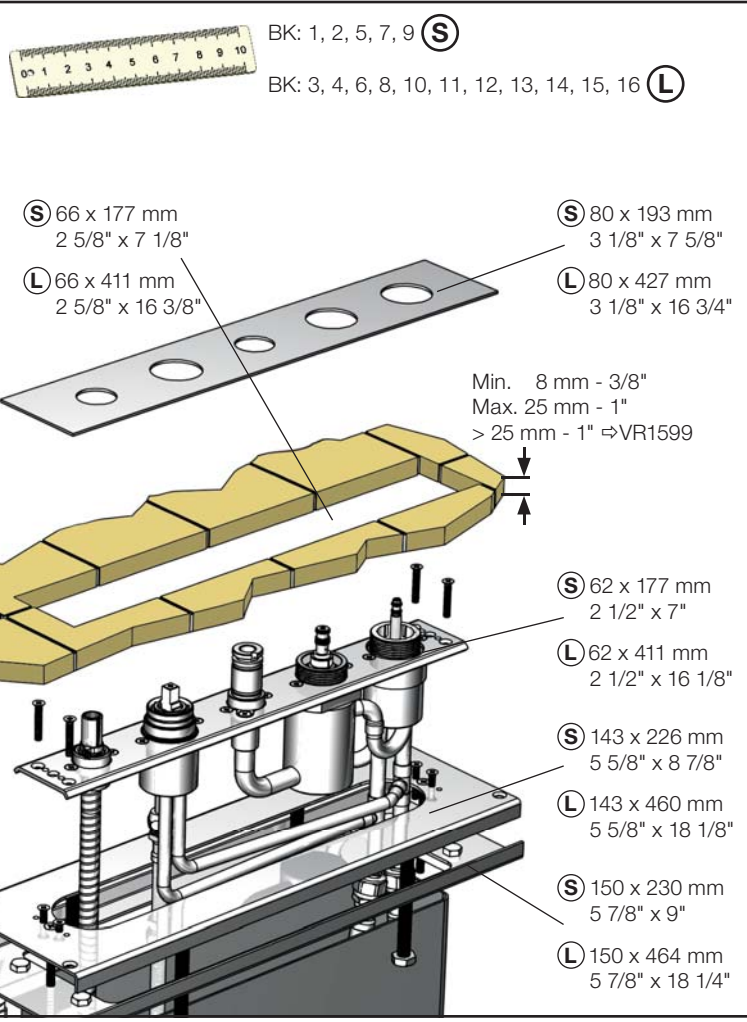
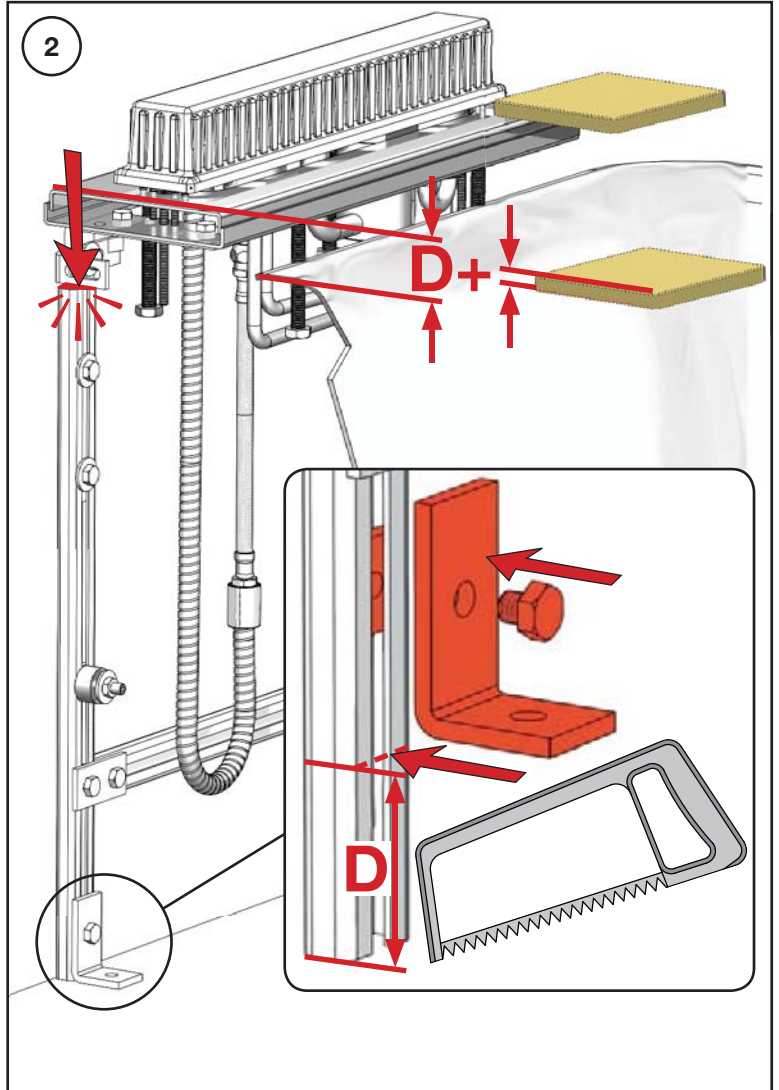
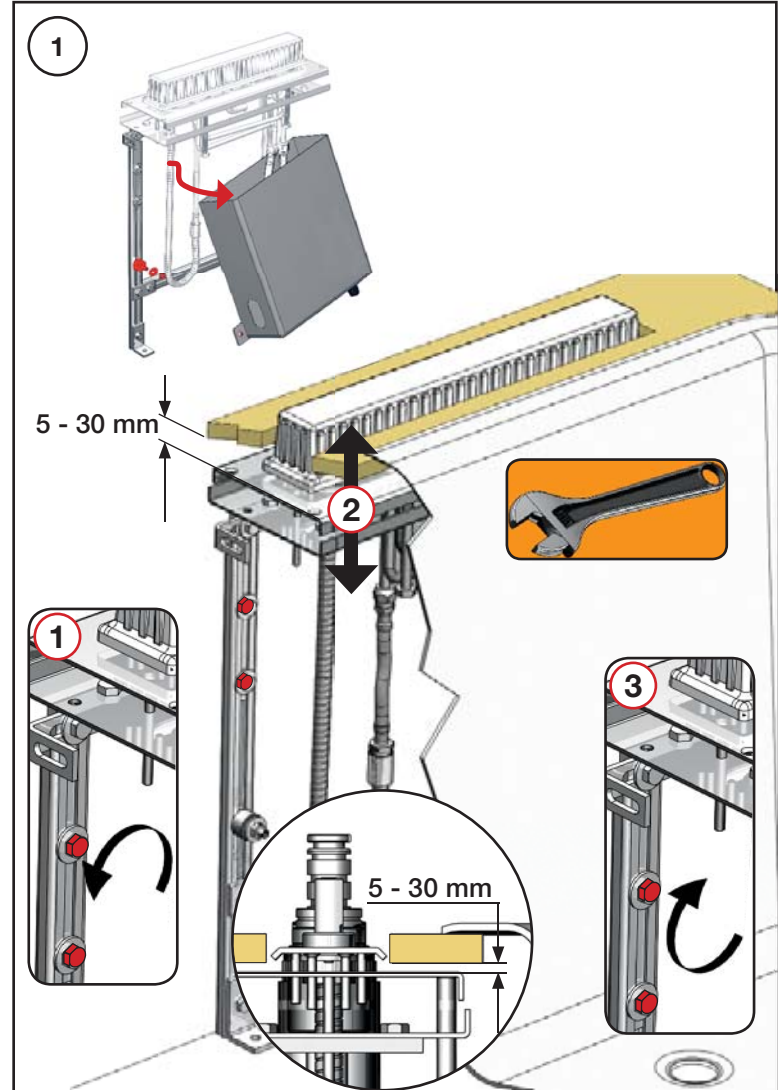
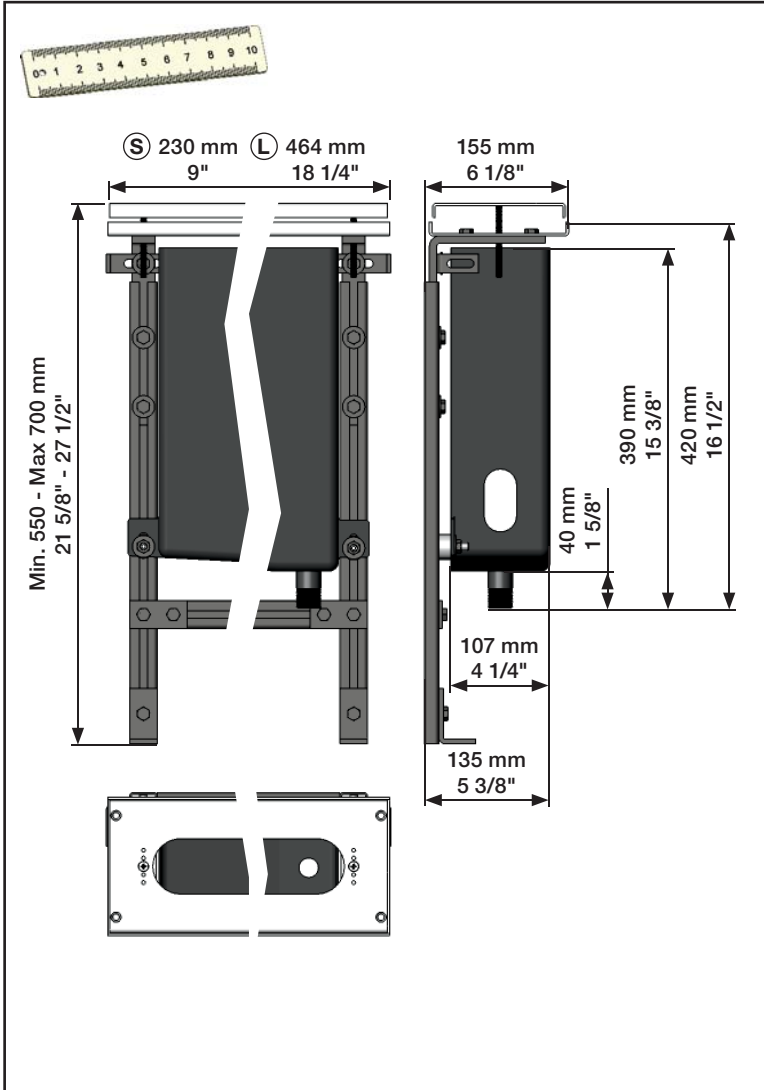


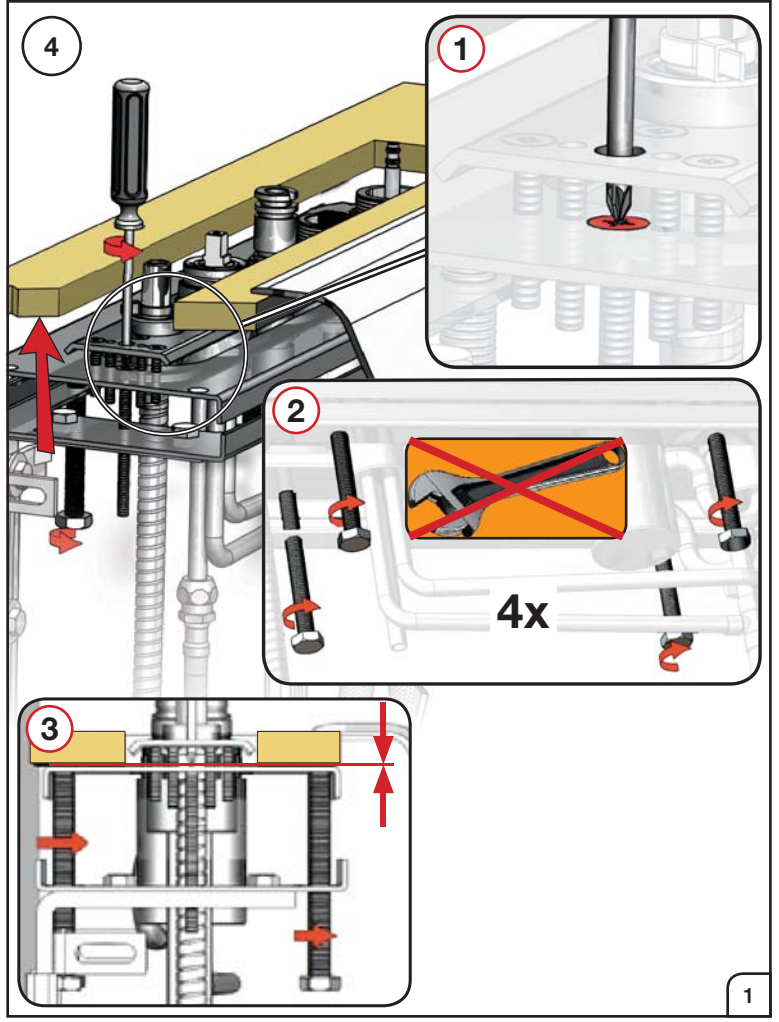
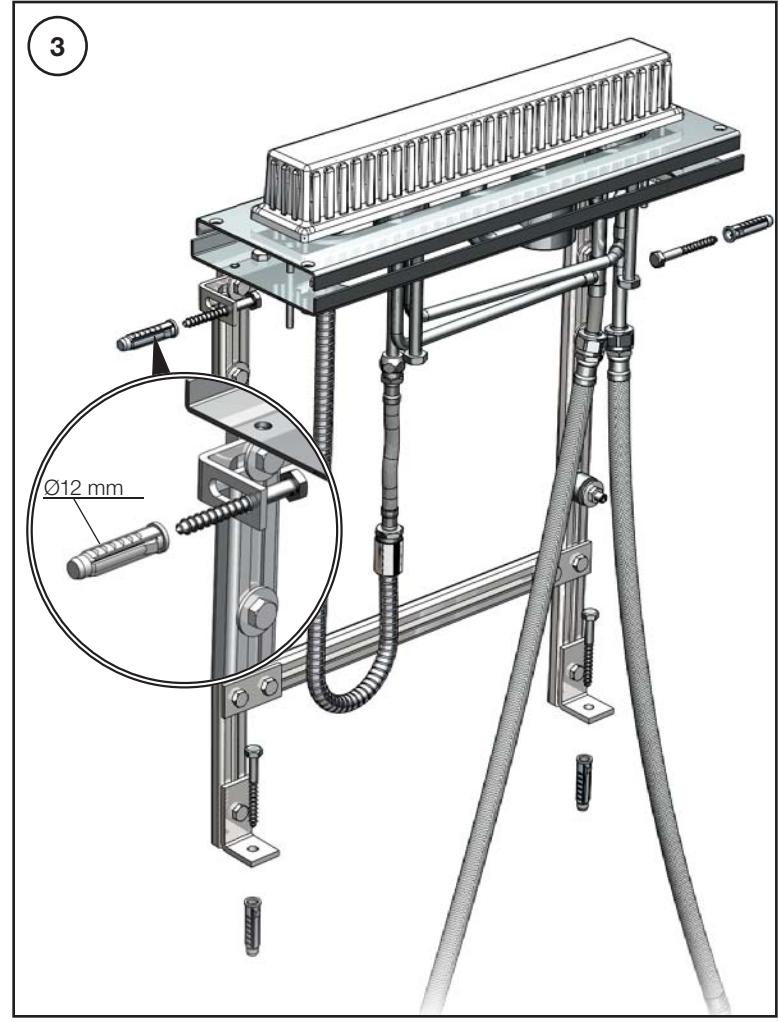
www.vola.com
BK_V5_40600036
5 703182 372389

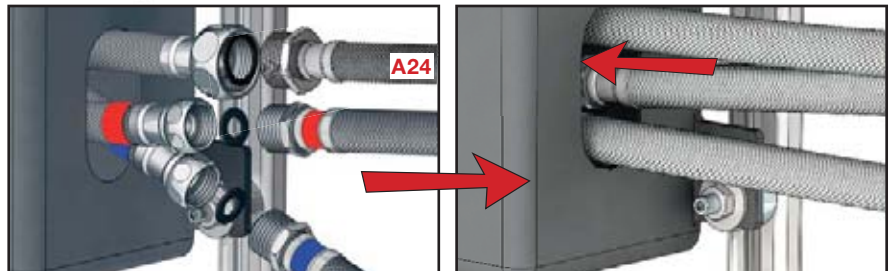
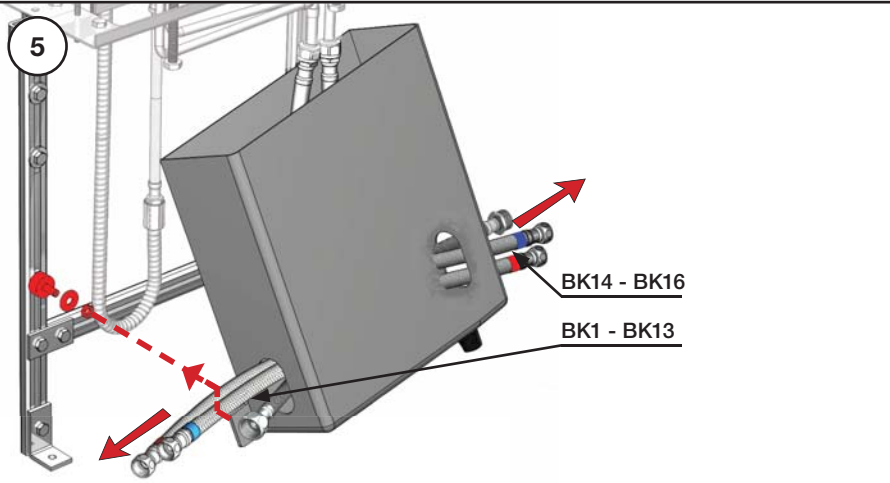


Data, 3 Bar (Max. 10 Bar):

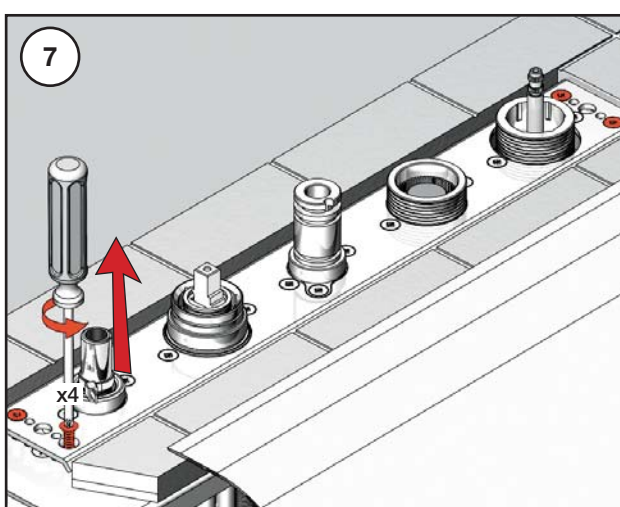
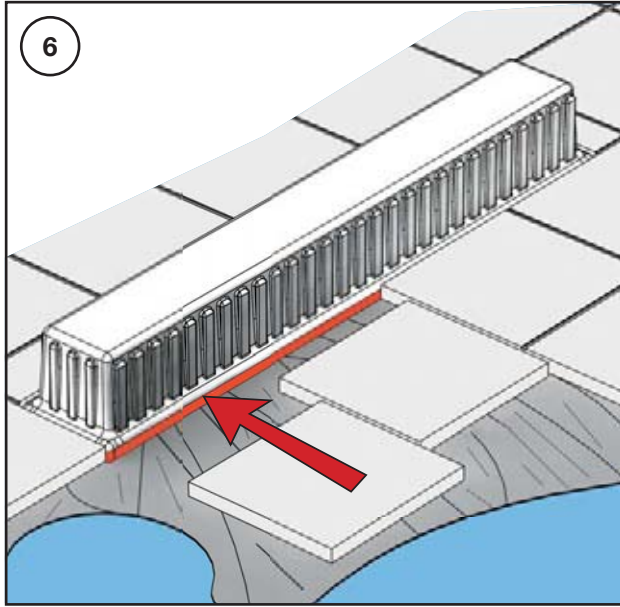
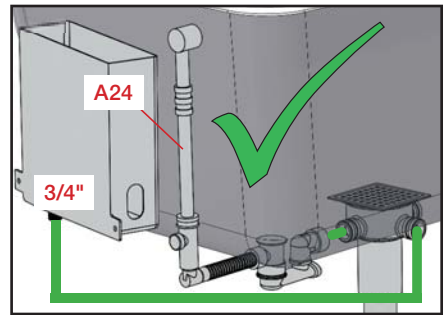
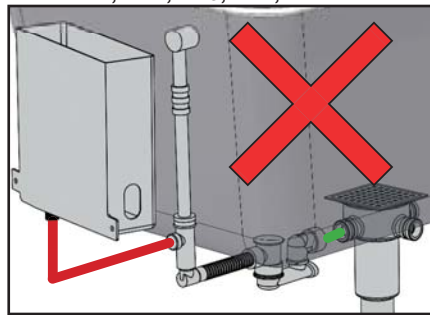
	l/min.	Gal./min.
T1	10	2.6
090D/E	BK 5, 7, 10, 12:	20 5.3
	BK 6, 8, 11, 13:	25 6.6
	BK 15, 16:	25 6.6
A24	BK 1, 3:	15 3.9
	BK 2, 4:	19 5.0
	BK 14:	22 5.8

Max. 65°C, 150°F



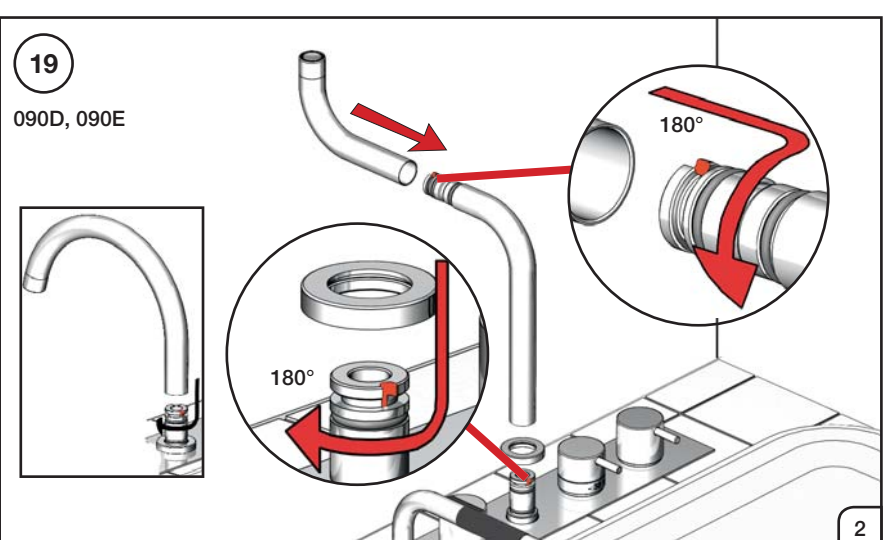
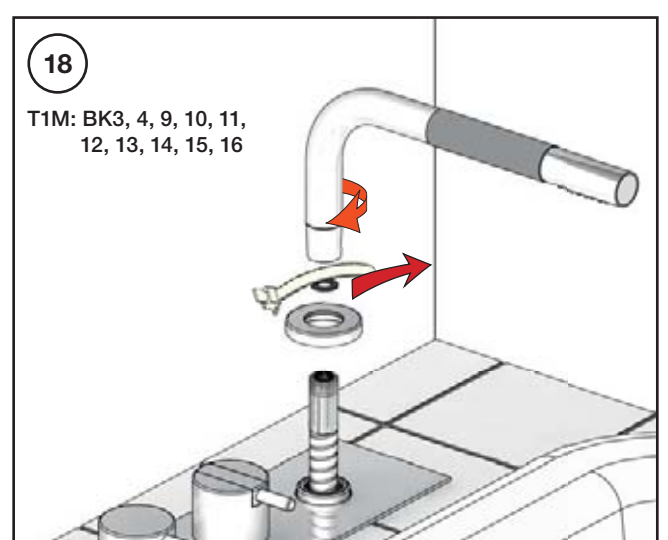
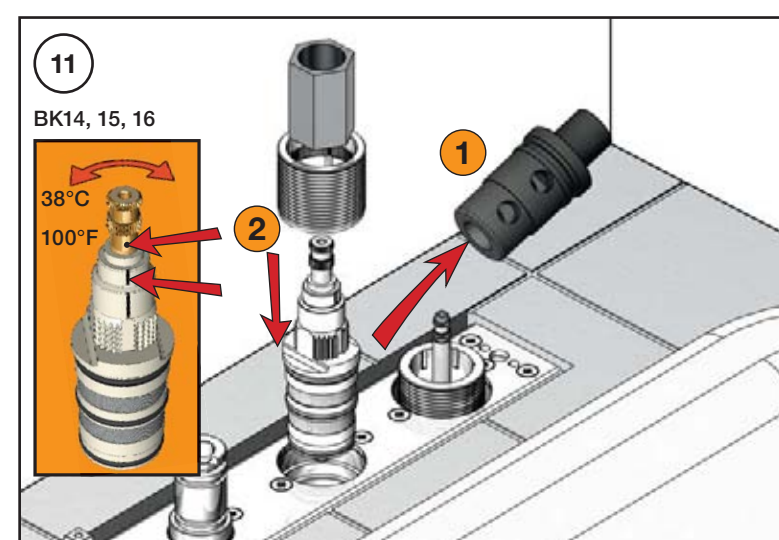
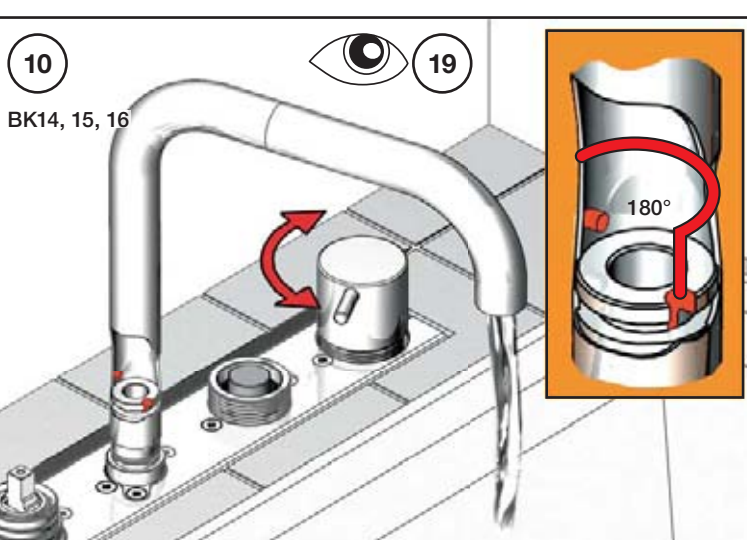
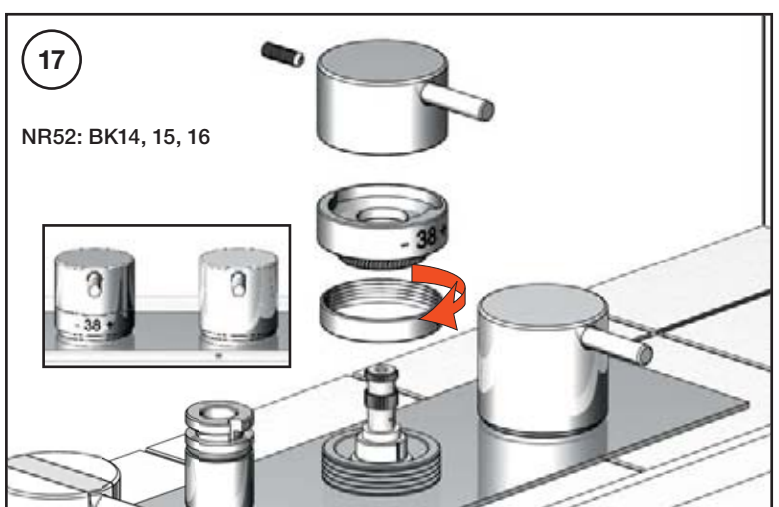
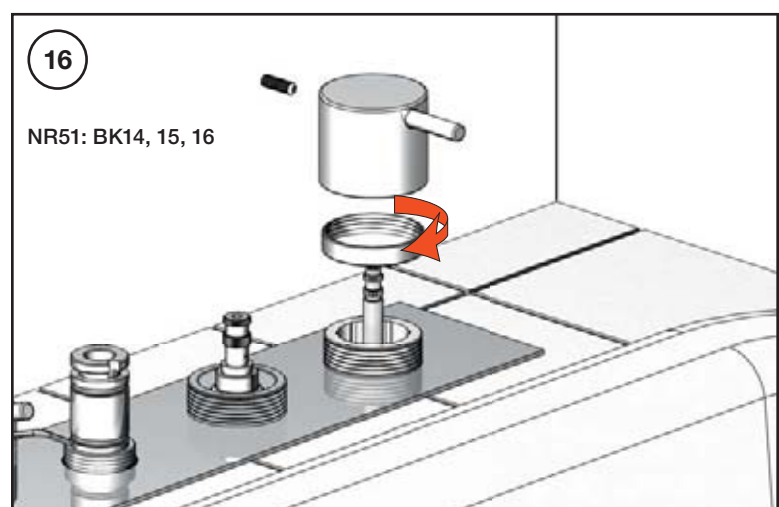
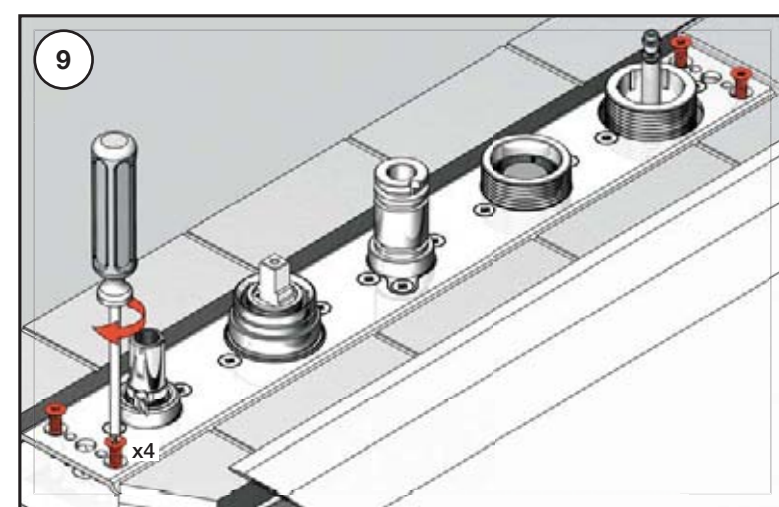
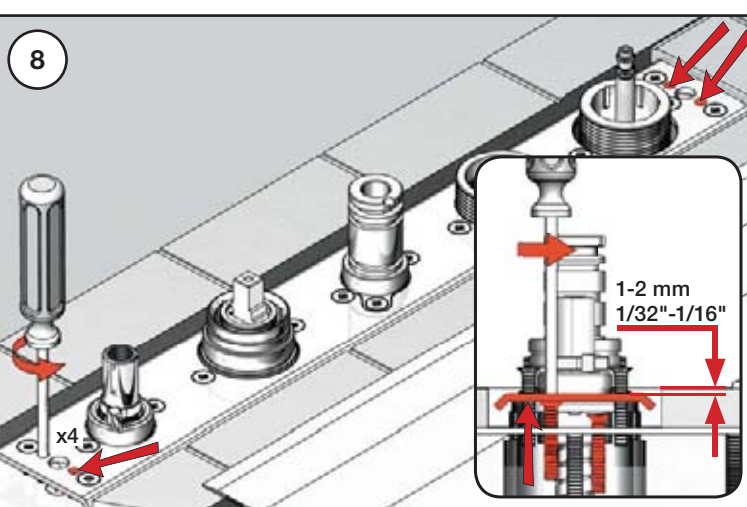
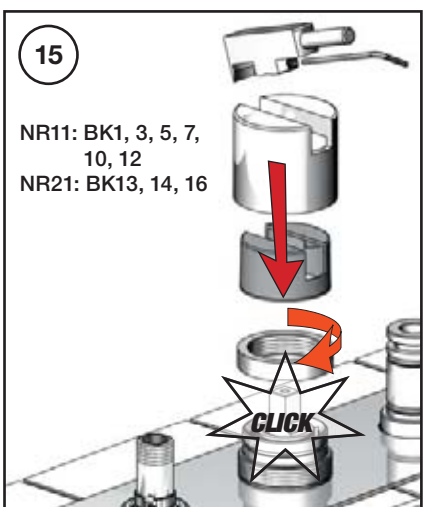
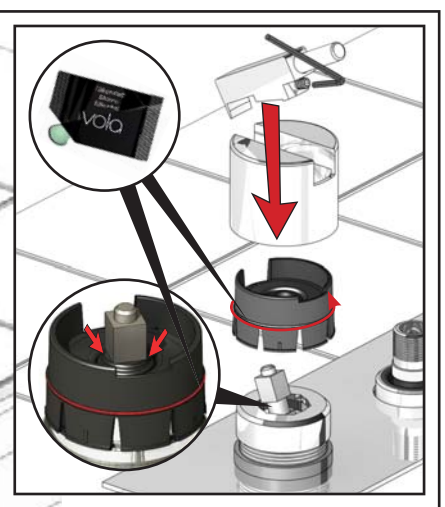
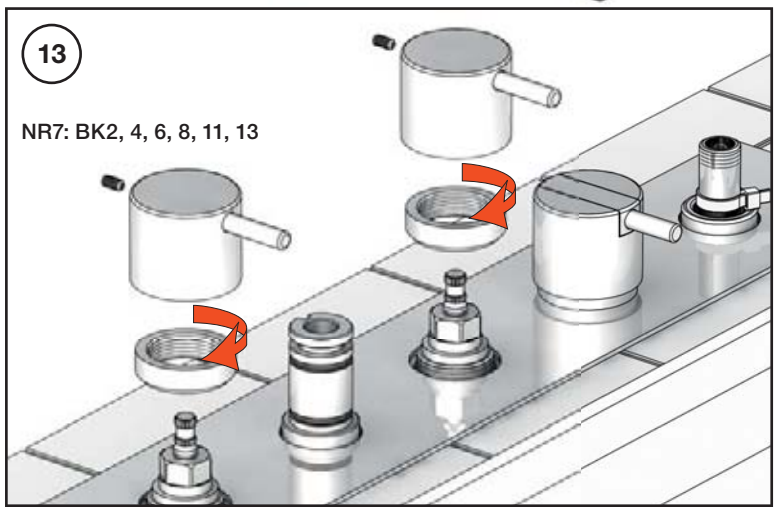
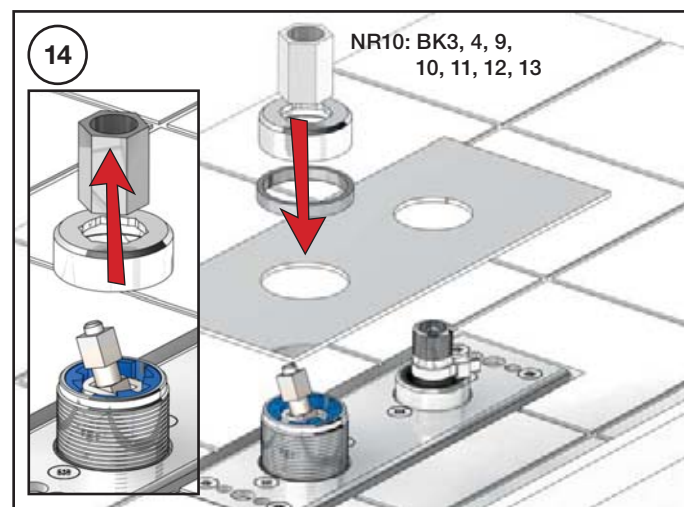
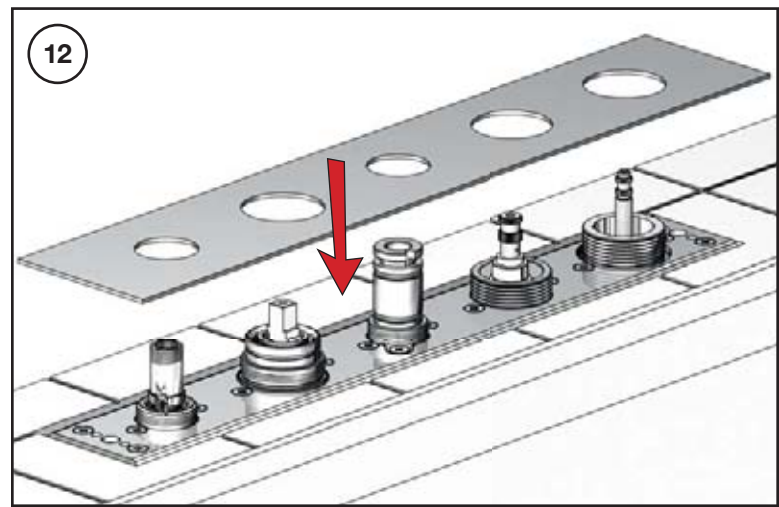


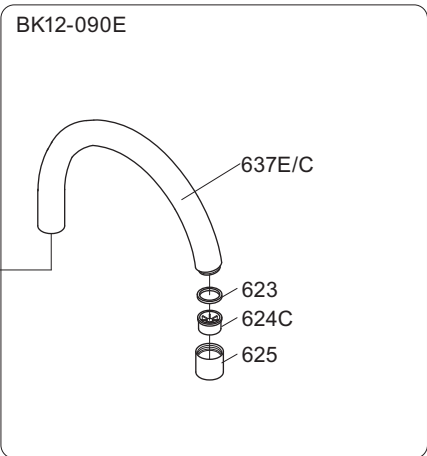
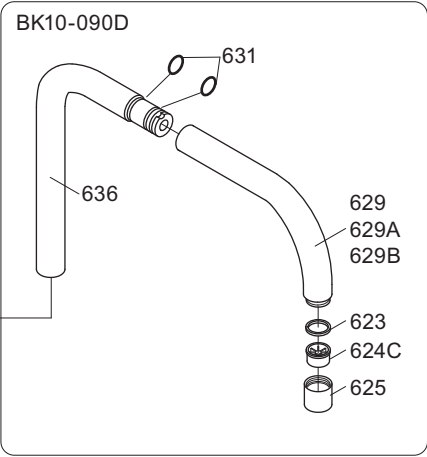
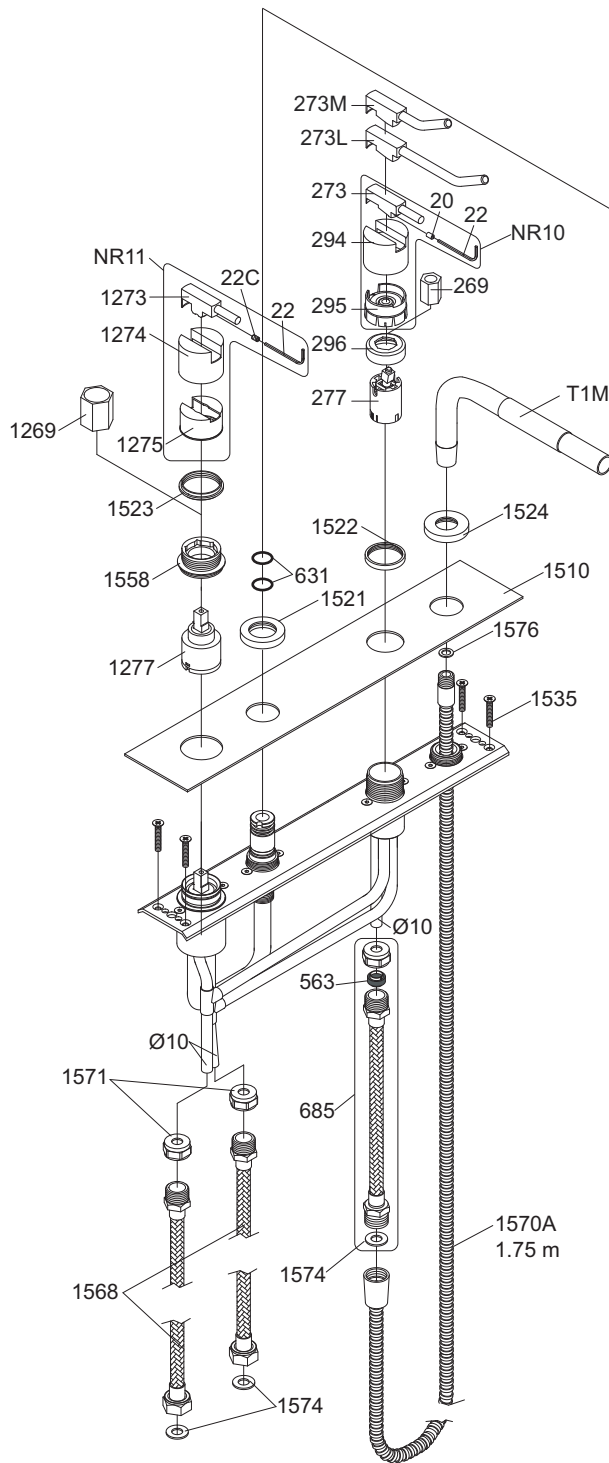
A24 + BK1, BK2, BK3, BK4, BK14:



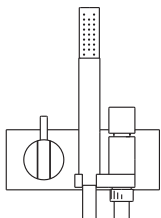
Fitting of trim
Montage von Aufputzteilen
Montage van de afbouwdeelen

Montering af greb
Montering af greb
Montage des parties visibles





NR10: VR20, VR22, VR273, VR294, VR295
 NR11: VR20, VR22, VR1273, VR1274, VR1275
 VR090D/C VR623, VR624C, 4xVR631, VR1902



VOLA A/S
 Lunavej 2
 DK-8700 Horsens
 Tlf : + 45 7023 5500
 Fax: + 45 7023 5511
 sales@vola.com
 www.vola.com

VOLA BK10, BK12

Dato

Mar. 11

Rev.

1

Blad

SB 74