

Date:

Client:

Project:

VOLA product: S50

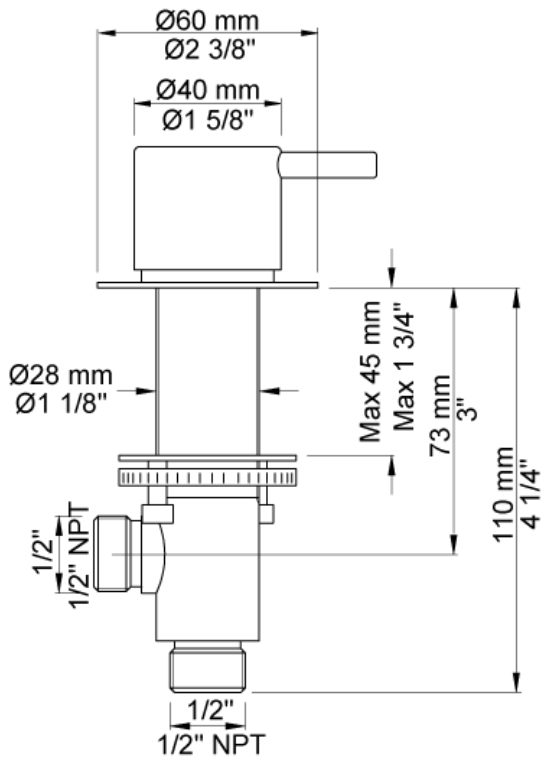


**S50**

Stop valve with ¼ turn ceramic disc technology. Includes non-return valve and ½" inlet/outlet. Hole cut out size: 30 mm.

**Flow**

	Bar:	1.0	2.0	3.0	4.0	5.0
S50	(l/min)	18.5	26.1	32.0	37.0	41.3



**Available in colors**

- Color 02, Grey
- Color 04, Light blue
- Color 05, Orange
- Color 06, Light green
- Color 08, Yellow
- Color 09, Dark grey
- Color 12, Mocca
- Color 14, Bright red
- Color 15, Dark blue
- Color 16, Polished chrome
- Color 17, Gloss black
- Color 18, White
- Color 19, Natural brass
- Color 20, Brushed chrome
- Color 21, Carmine red
- Color 25, Pink
- Color 27, Matt black
- Color 40, Brushed stainless steel

