

Date:

Client:

Project:

VOLA product: SC11

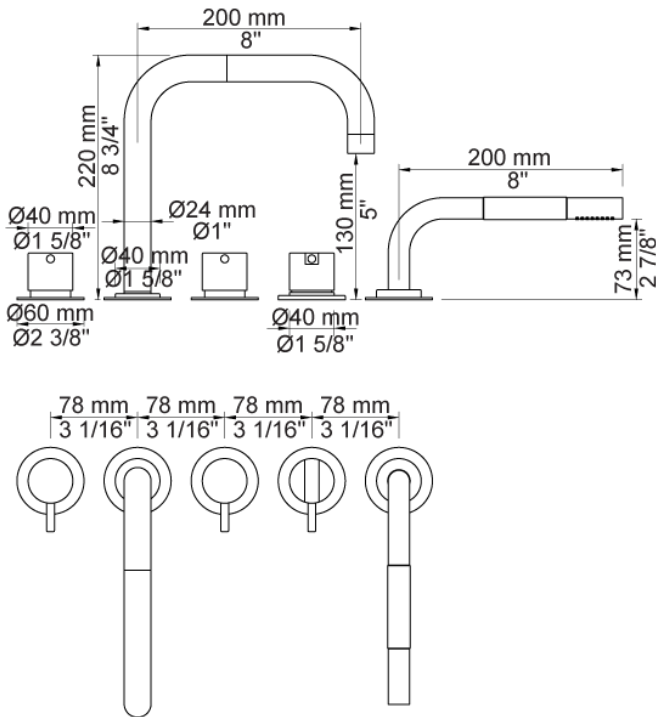


**SC11**

Two-handle mixer S50DH + S50D with double swivel spout 090D, one-handle mixer with hand shower 500T1.

**Flow**

	Bar:	1.0	2.0	3.0	4.0	5.0
090D	(l/min)	15.0	21.2	26.0	30.0	30.0
T1	(l/min)	5.8	8.2	10.0	11.6	12.9



**Available in colors**

- Color 02, Grey
- Color 04, Light blue
- Color 05, Orange
- Color 06, Light green
- Color 08, Yellow
- Color 09, Dark grey
- Color 12, Mocca
- Color 14, Bright red
- Color 15, Dark blue
- Color 16, Polished chrome
- Color 17, Gloss black
- Color 18, White
- Color 19, Natural brass
- Color 20, Brushed chrome
- Color 21, Carmine red
- Color 25, Pink
- Color 27, Matt black
- Color 40, Brushed stainless steel



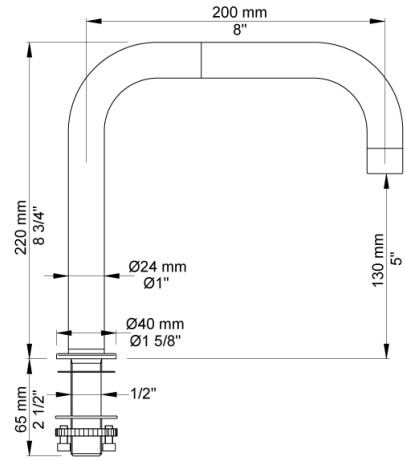
Date:

Client:

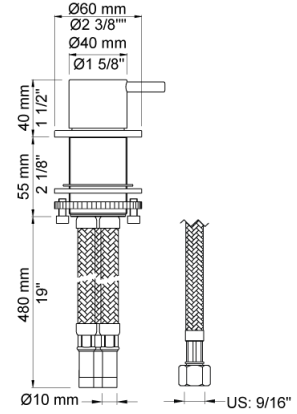
Project:



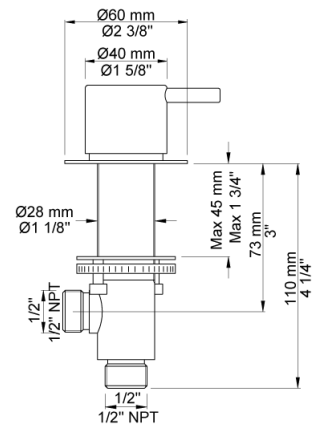
**090D**  
Double swivel spout. Hole cut out size: 22 mm.



**500**  
One-handle table-mounted mixer.



**S50**  
Stop valve with 1/4 turn ceramic disc technology. Includes non-return valve and 1/2" inlet/outlet. Hole cut out size: 30 mm.



Date:

Client:

Project:



**T1**  
Deck mounted pull out hand shower, with 1,5 m hose. Work top: Max. 45 mm. Hole cut out size: 30 mm.

