

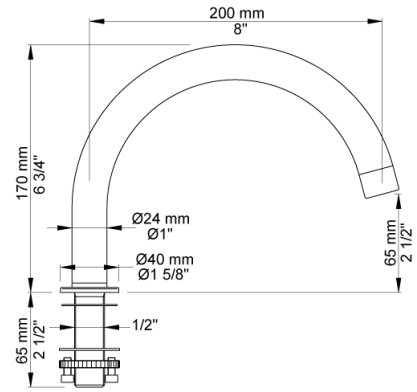
Date:

Client:

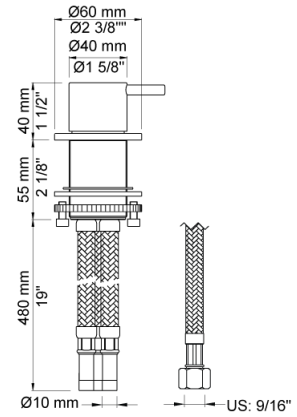
Project:



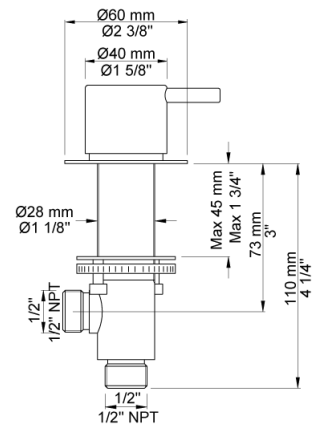
090E
Swivel spout. Hole cut out size: 22 mm.



500
One-handle table-mounted mixer.



S50
Stop valve with 1/4 turn ceramic disc technology. Includes non-return valve and 1/2" inlet/outlet. Hole cut out size: 30 mm.



Date:

Client:

Project:



T1
Deck mounted pull out hand shower, with 1,5 m hose. Work top: Max. 45 mm. Hole cut out size: 30 mm.

