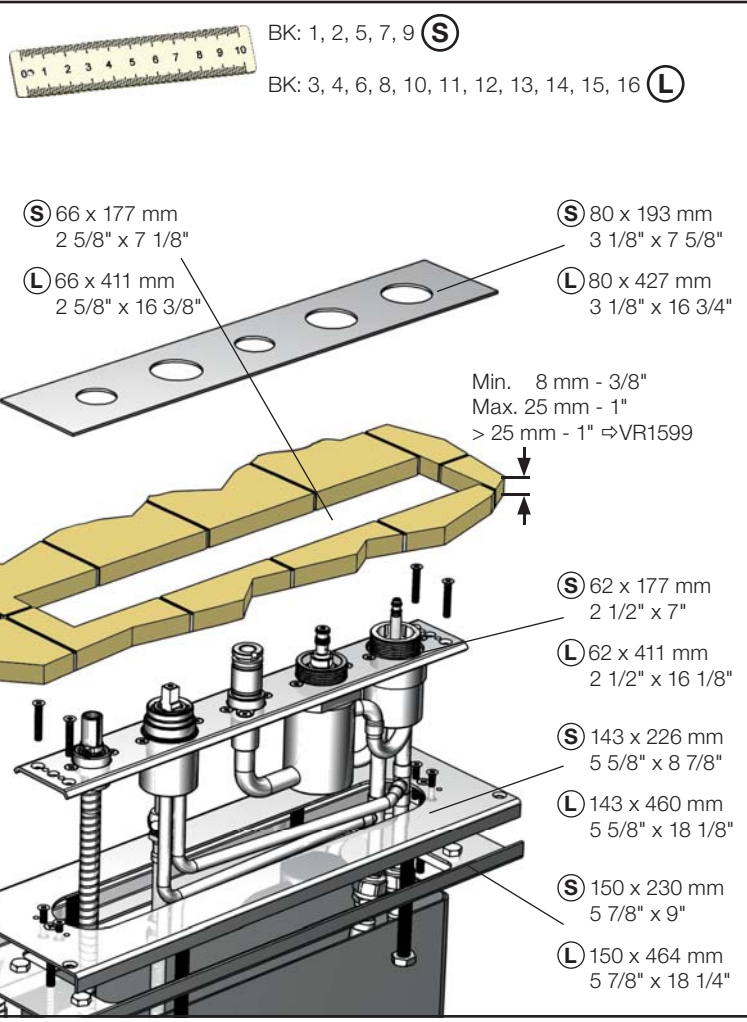
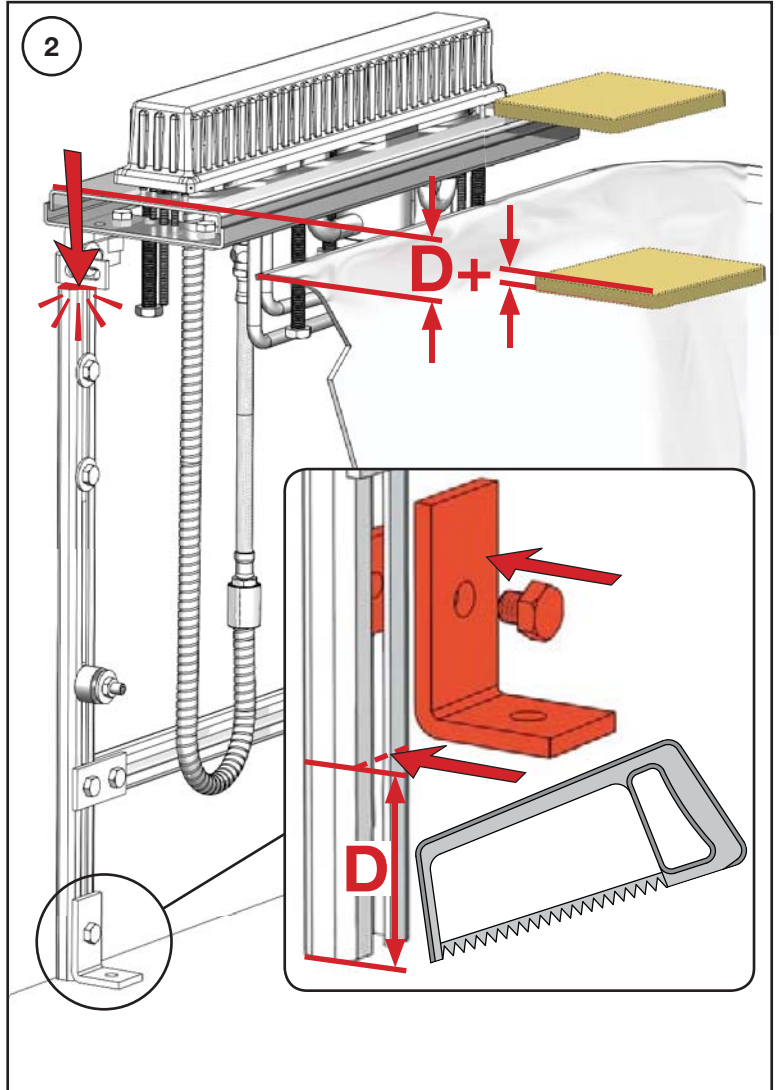
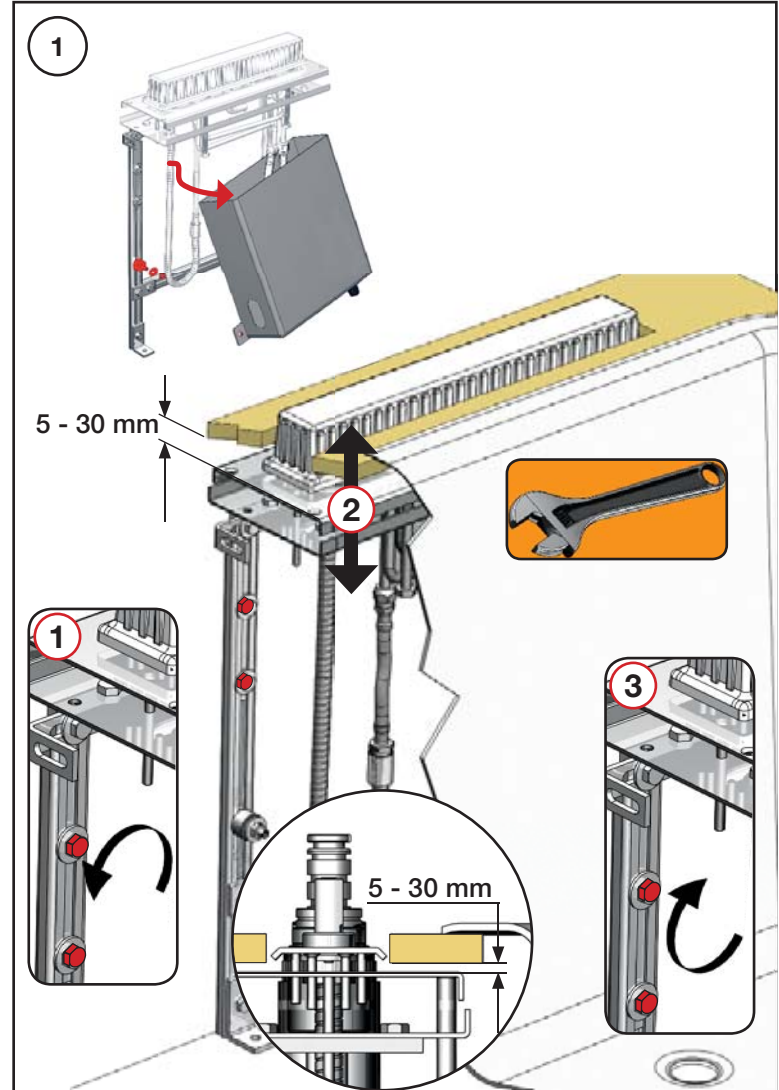
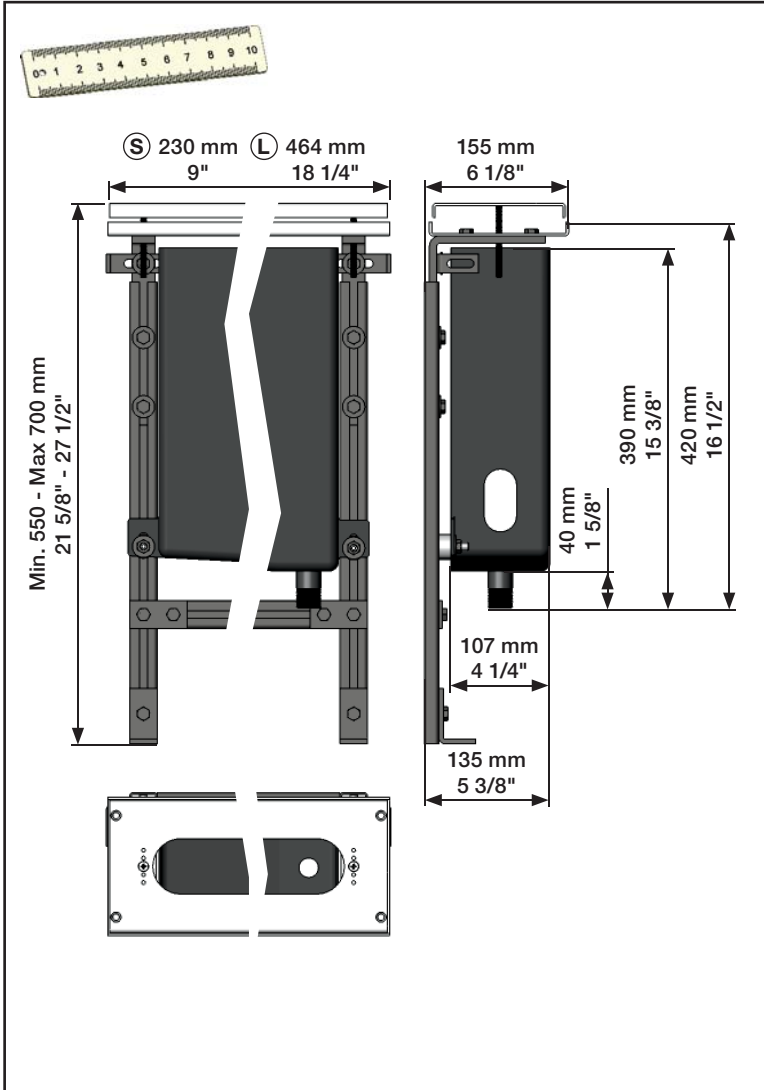


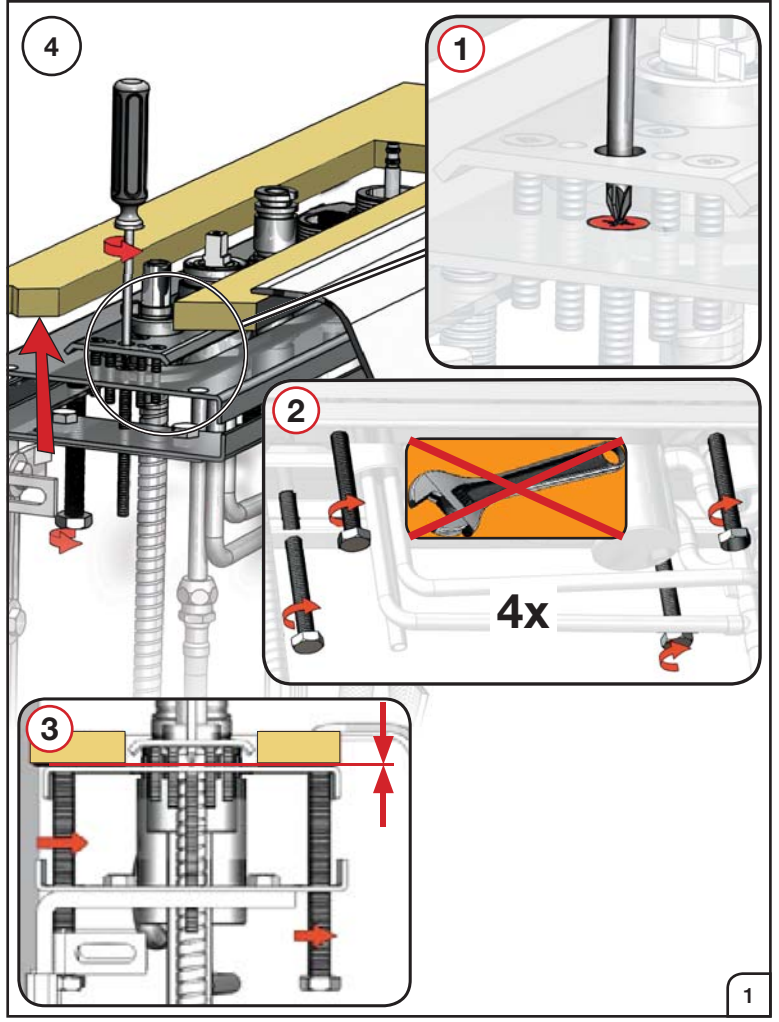
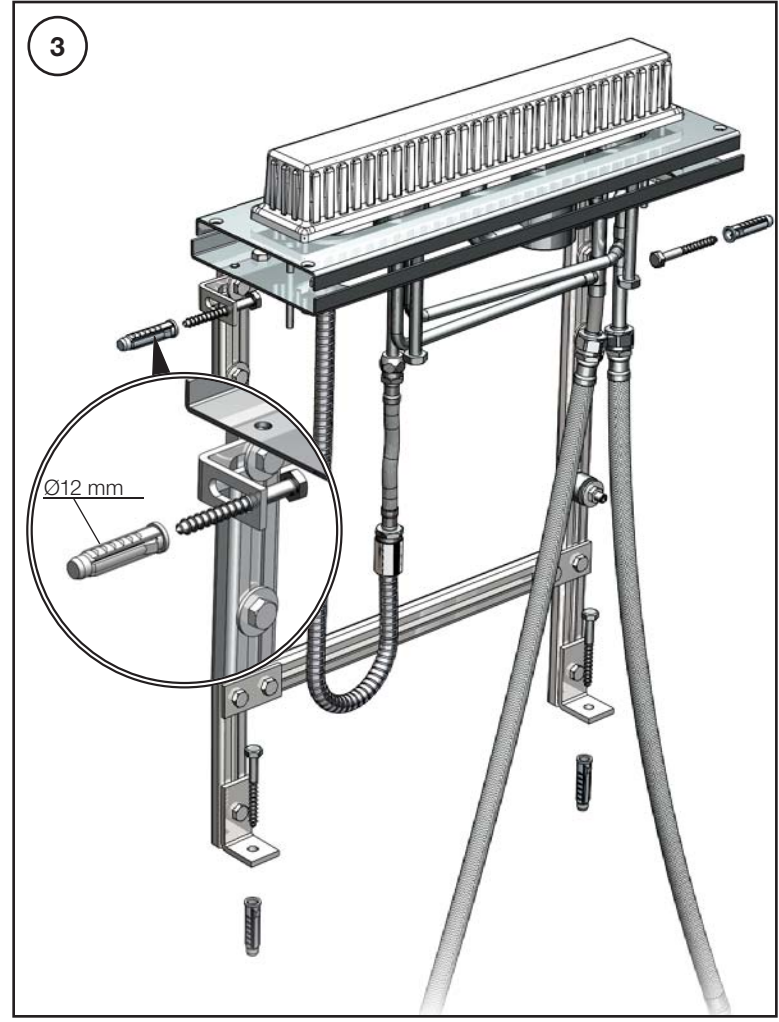
www.vola.com  
BK\_V5\_40600036  
5 703182 372389

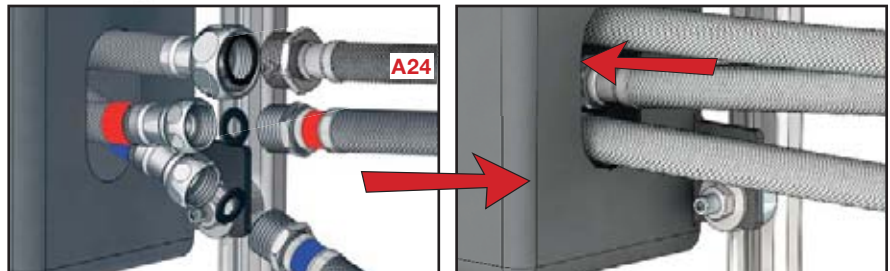
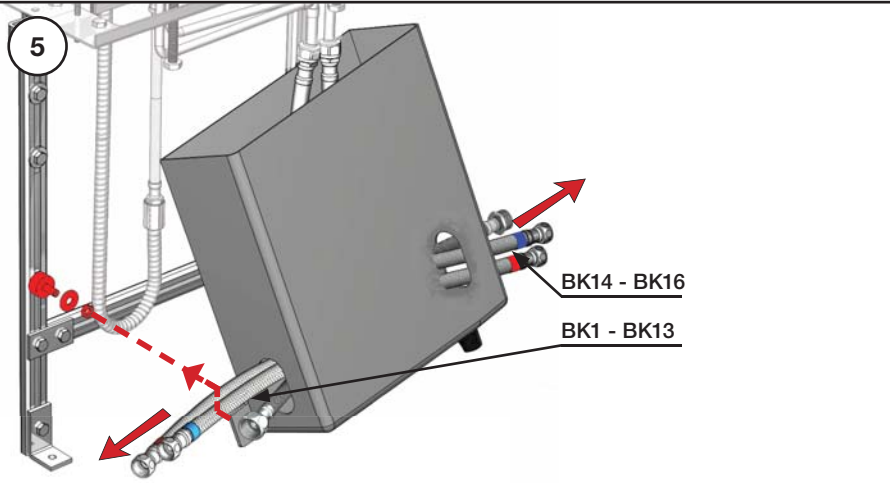


**Data, 3 Bar (Max. 10 Bar):**

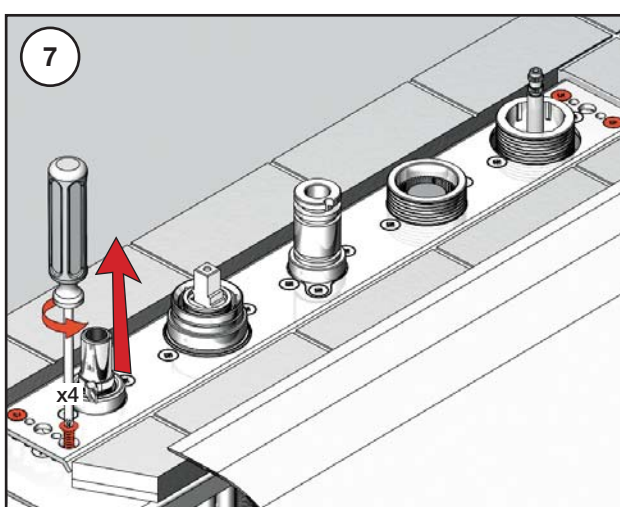
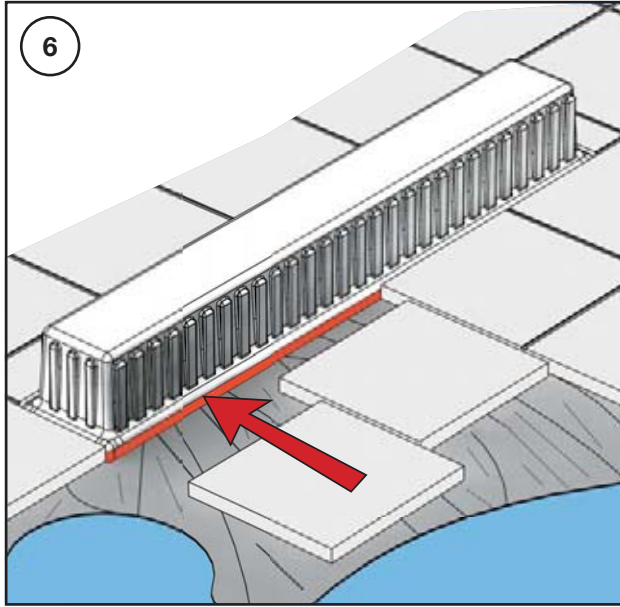
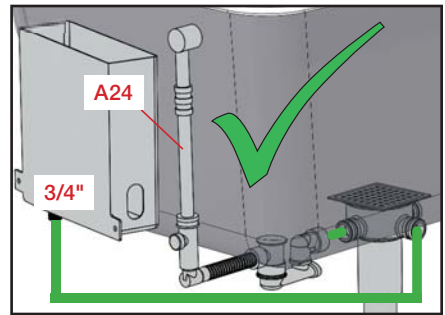
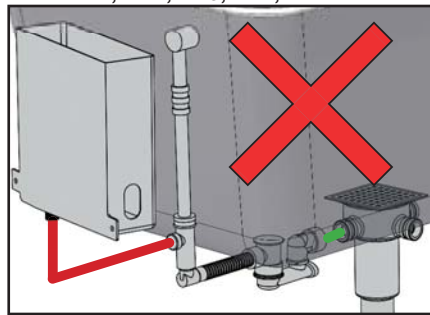
	l/min.	Gal./min.
T1	10	2.6
090D/E	BK 5, 7, 10, 12:	20 5.3
	BK 6, 8, 11, 13:	25 6.6
	BK 15, 16:	25 6.6
A24	BK 1, 3:	15 3.9
	BK 2, 4:	19 5.0
	BK 14:	22 5.8

Max. 65°C, 150°F



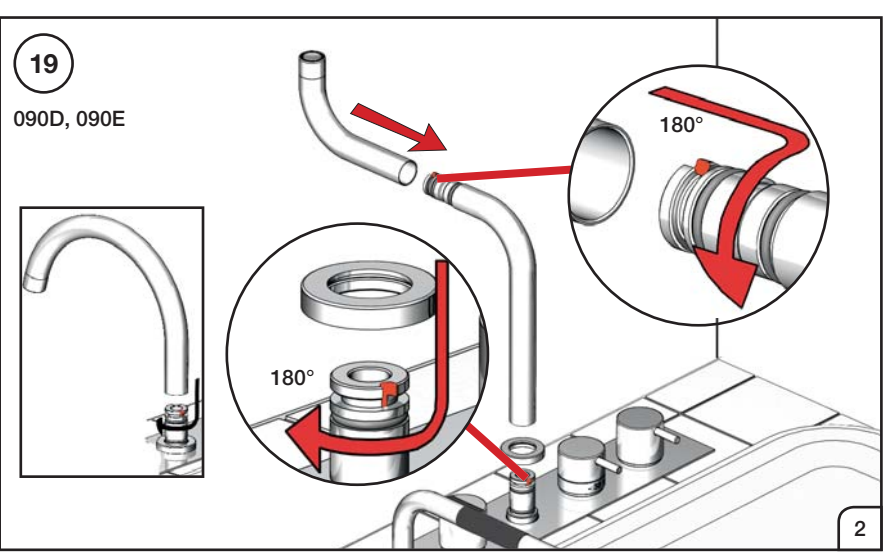
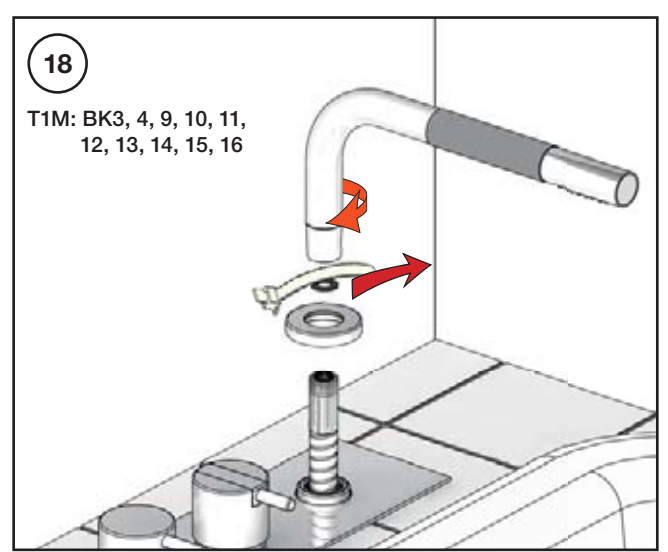
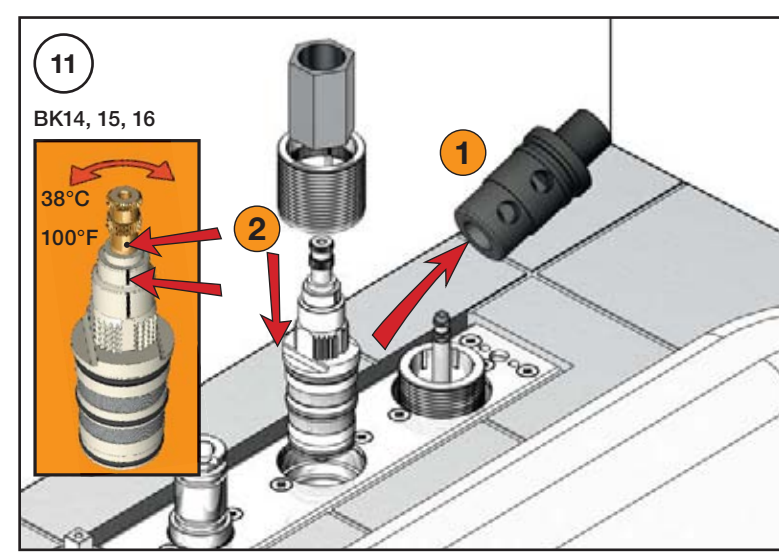
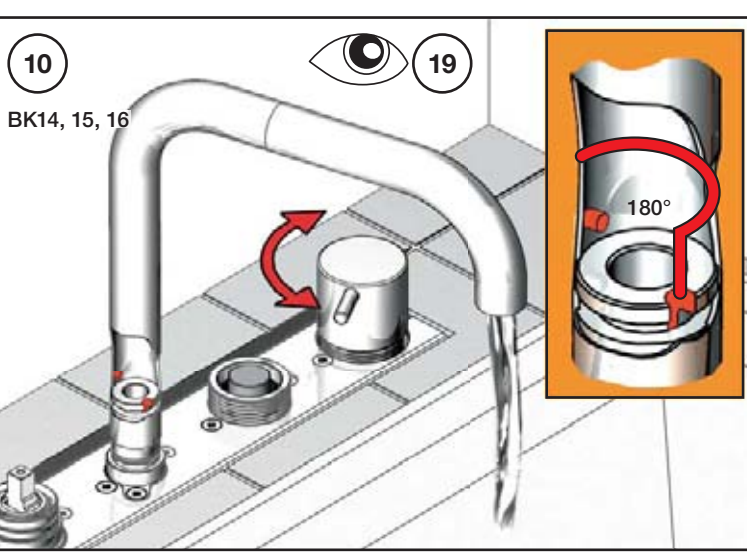
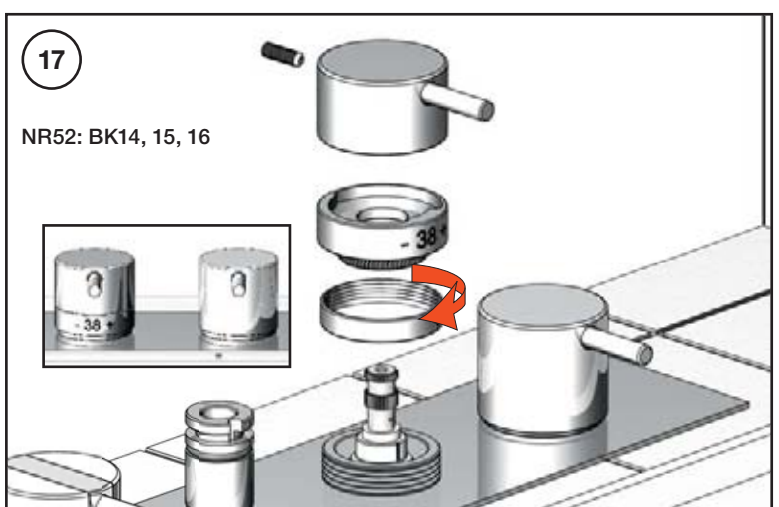
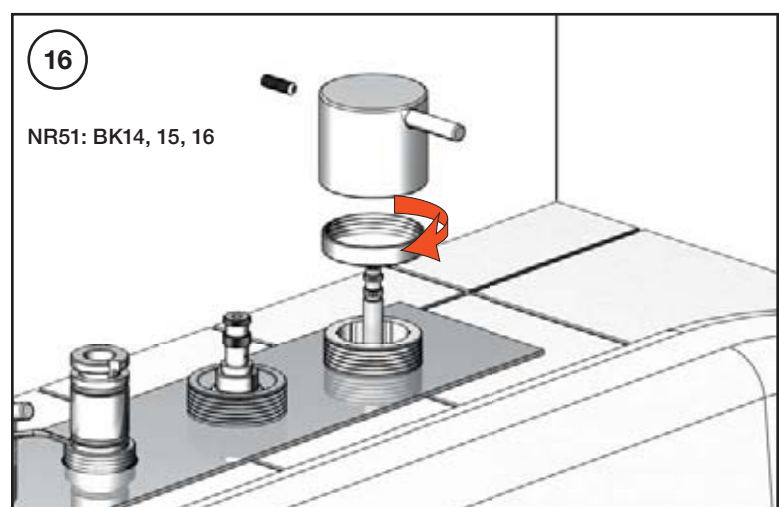
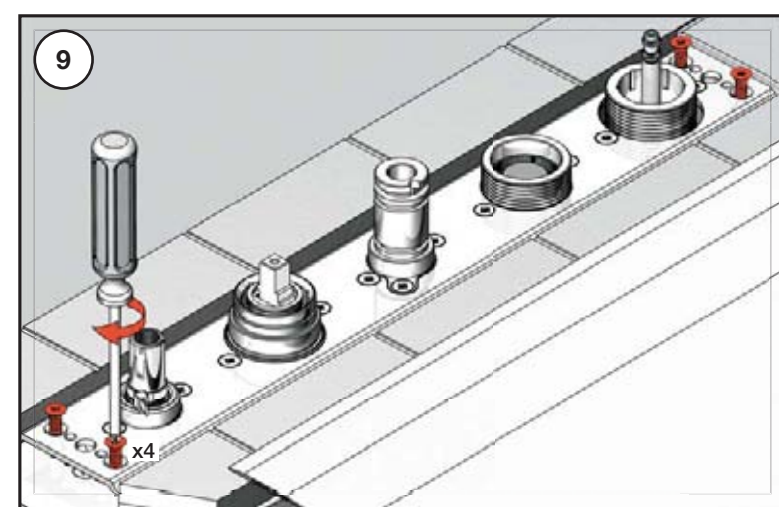
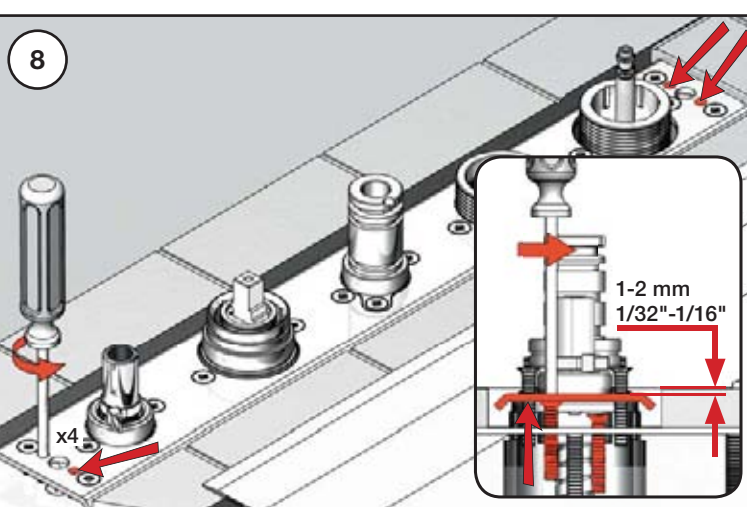
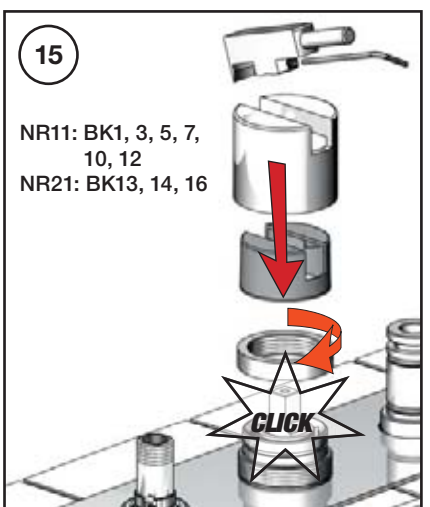
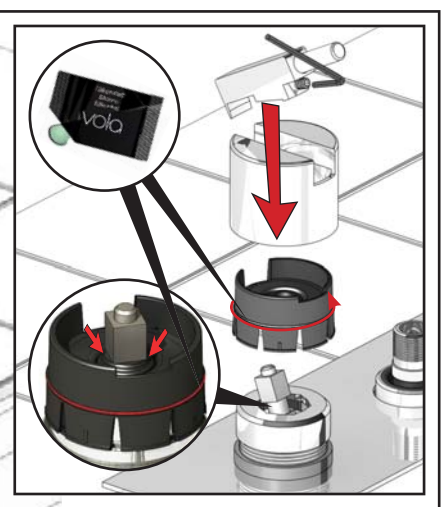
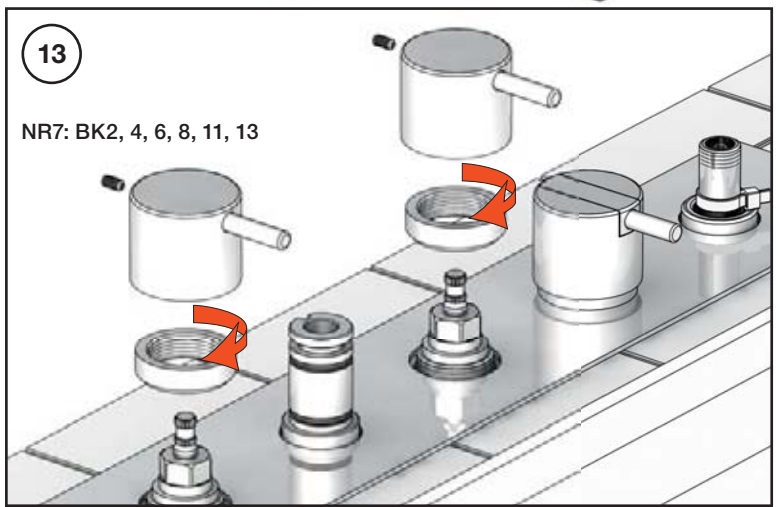
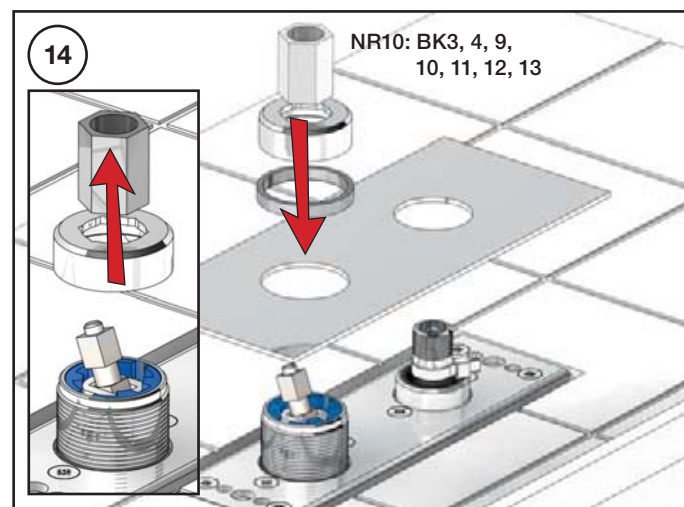
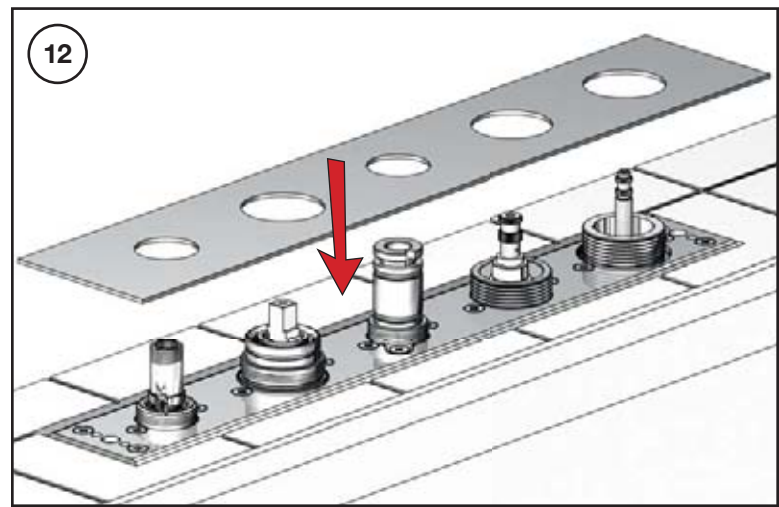


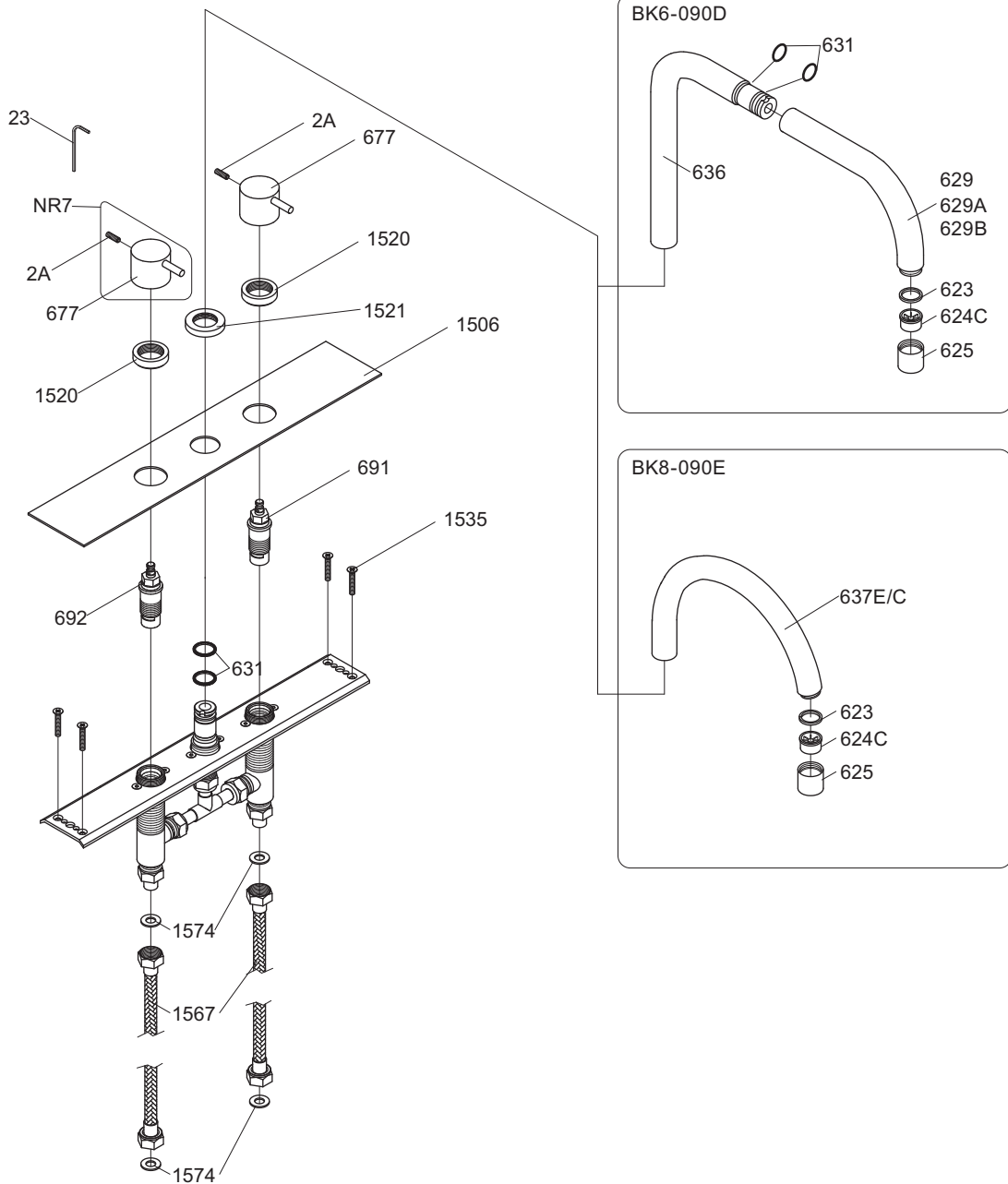
A24 + BK1, BK2, BK3, BK4, BK14:



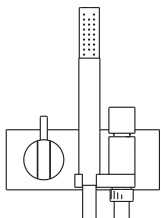
Fitting of trim  
Montage von Aufputzteilen  
Montage van de afbouwdeelen

Montering af greb  
Montering af greb  
Montage des parties visibles





NR7: VR2A, VR23, VR677  
 VR090D/C: VR623, VR624C, 4xVR631, VR1902



**VOLA A/S**  
 Lunavej 2  
 DK-8700 Horsens  
 Tlf : + 45 7023 5500  
 Fax: + 45 7023 5511  
 sales@vola.com  
 www.vola.com

**VOLA BK6, BK8**

Dato

Okt. 96

Rev.

0

Blad

SB 70