

Date:

Client:

Project:

VOLA product: S20

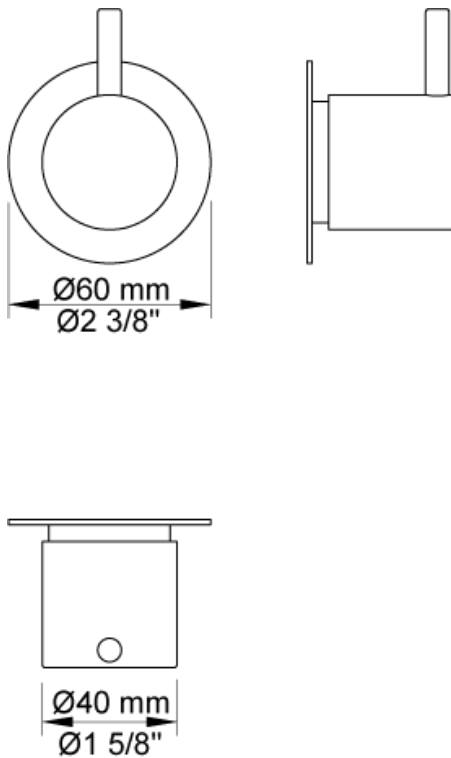


S20

½" build-in stop valve with ceramic disc technology. S20 UP = Valve S20V. S20 AP = Handle NR17, 60 mm circular flange 001.

Flow

	Bar:	1.0	2.0	3.0	4.0	5.0
S20	(l/min)	20.2	28.6	35.0	40.4	45.2



Available in colors

- Color 02, Grey
- Color 04, Light blue
- Color 05, Orange
- Color 06, Light green
- Color 08, Yellow
- Color 09, Dark grey
- Color 12, Mocca
- Color 14, Bright red
- Color 15, Dark blue
- Color 16, Polished chrome
- Color 17, Gloss black
- Color 18, White
- Color 19, Natural brass
- Color 20, Brushed chrome
- Color 21, Carmine red
- Color 25, Pink
- Color 27, Matt black
- Color 40, Brushed stainless steel

