

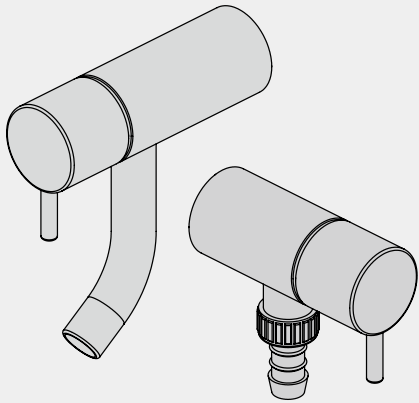
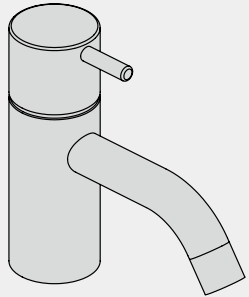
**VOLA RB1, RB3, RB4
VOLA SH1**

Fitting instruction
Montageanleitung
Monteringsvejledning
Monteringsvågledning
Montage hanleiding
Manuel de montage

RB1, RB3, RB4:



GODKENDT
TIL DRIKKEVAND



www.vola.com

vola

RB1- RB3 - RB4 - SH1 V4_40999835



5 703182 372600

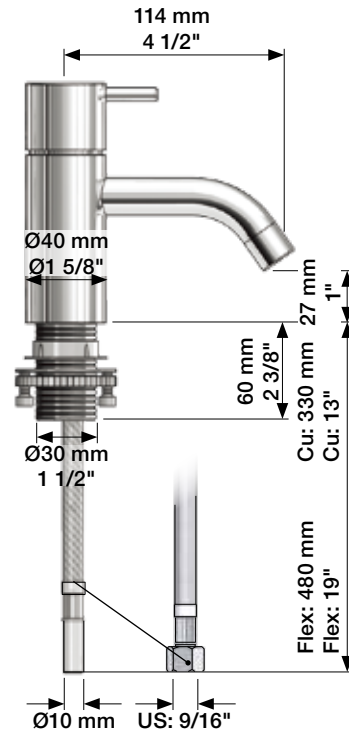
Data, 3 Bar/43.5 Psi:

| Max. | l/min. | Gal/min. |
|----------|--------|----------|
| RB1/3/4: | 5,0 | 1,3 |
| SH1 | 27,0 | 7,1 |

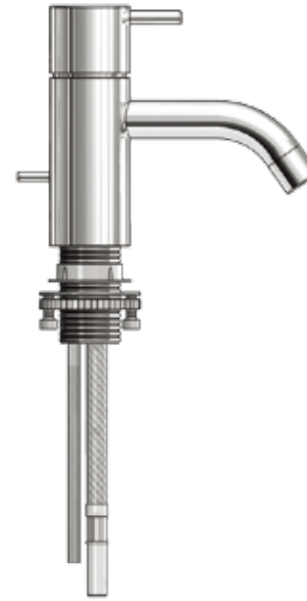


Max. 70°C, 158°F

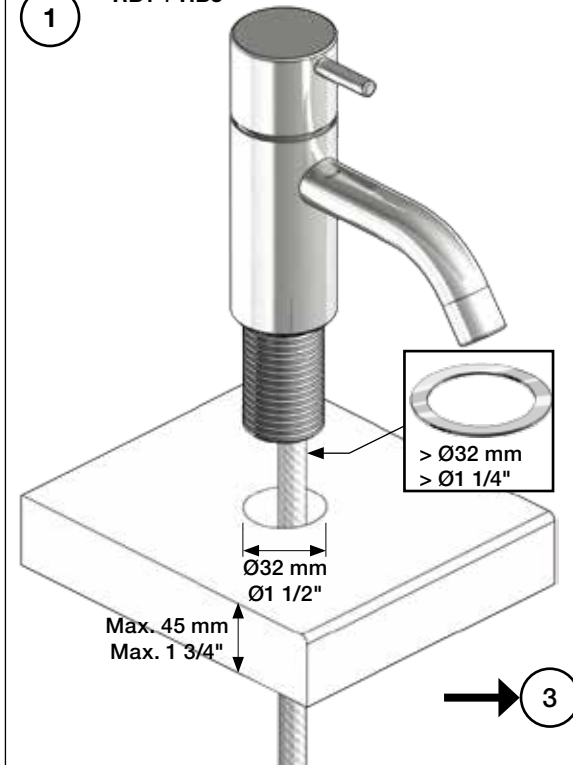
RB1



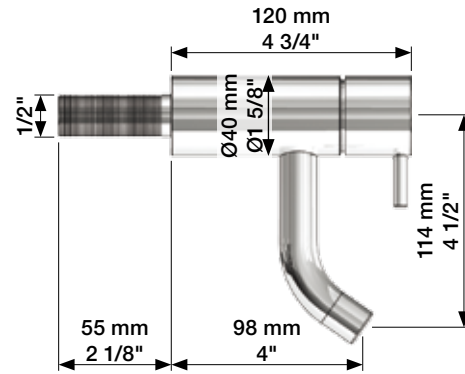
RB3



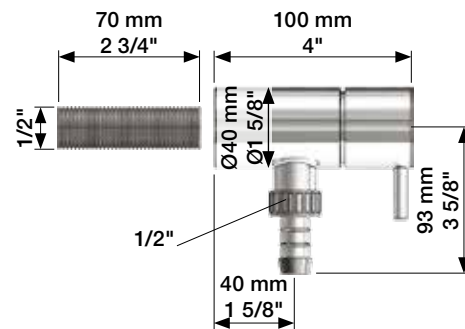
1 RB1 + RB3



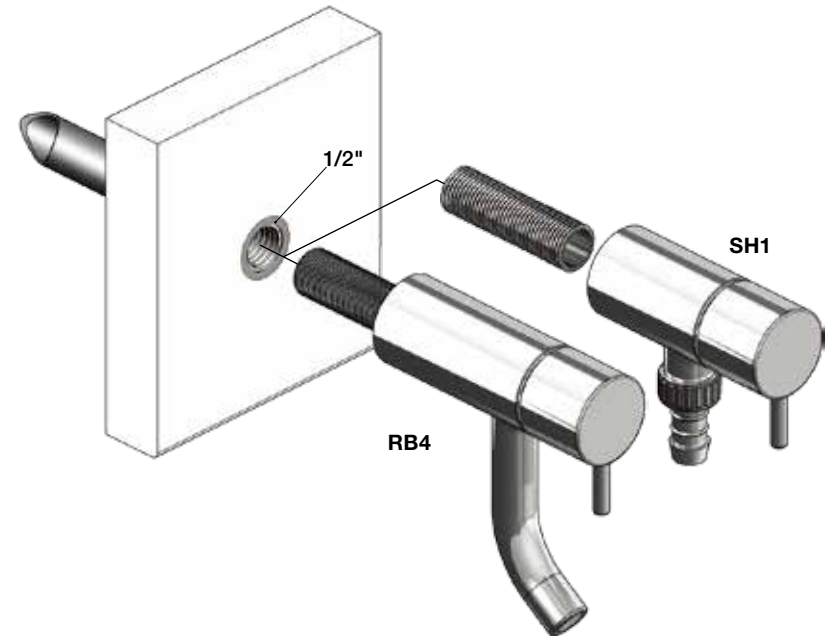
RB4



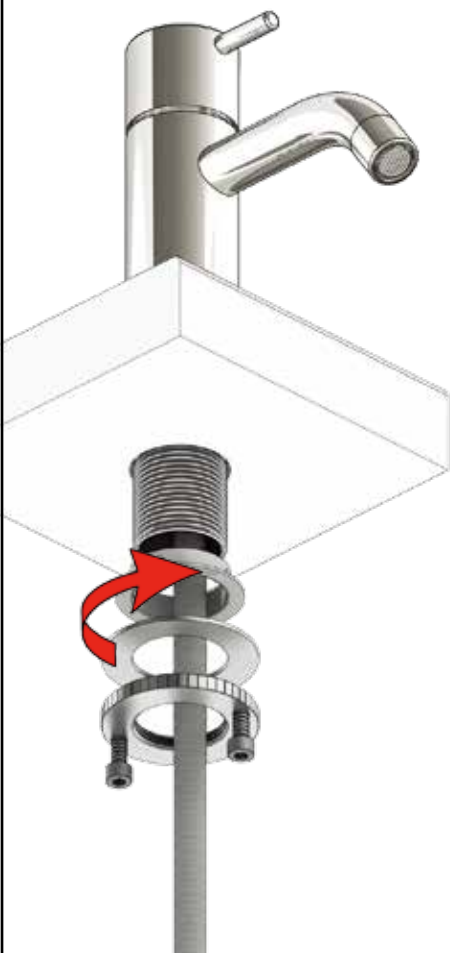
SH1



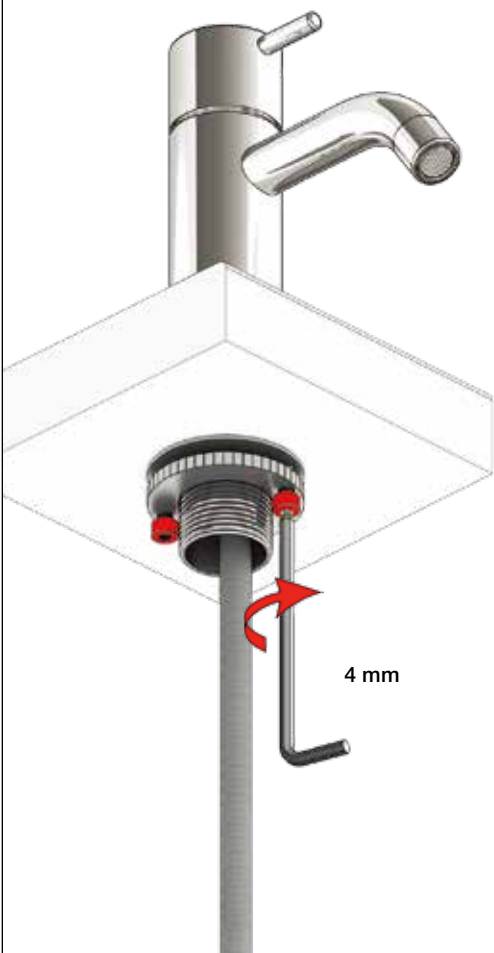
2 RB4 + SH1



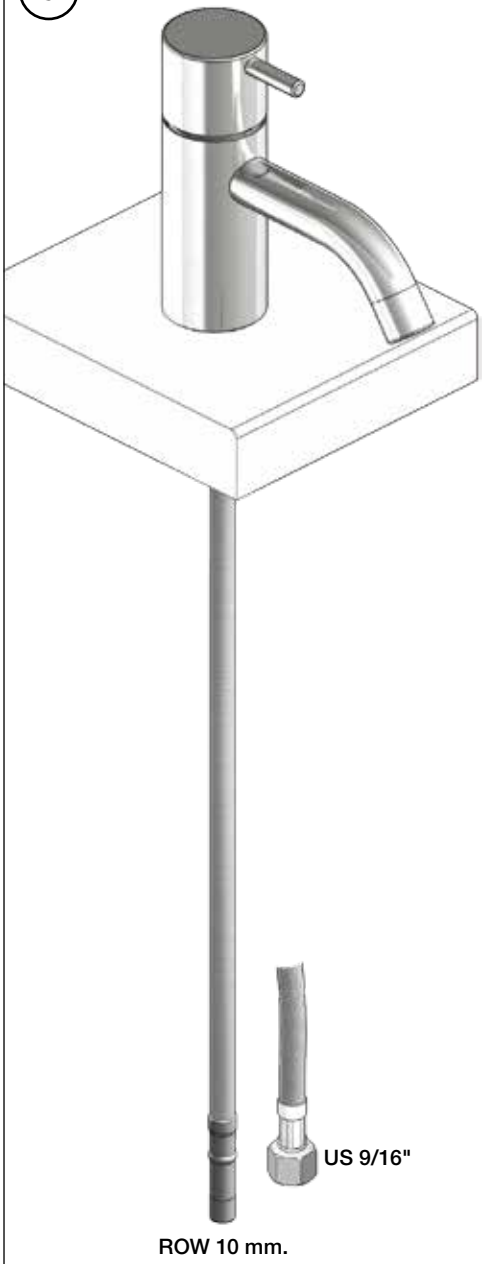
3



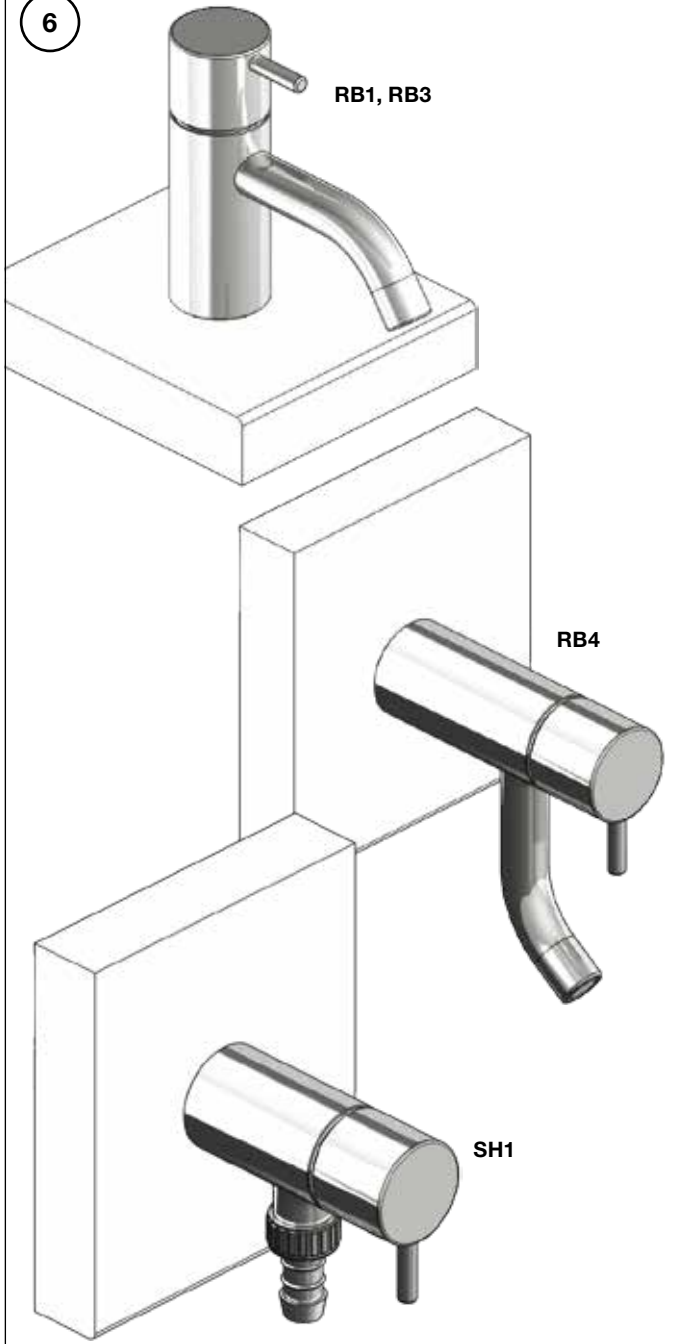
4

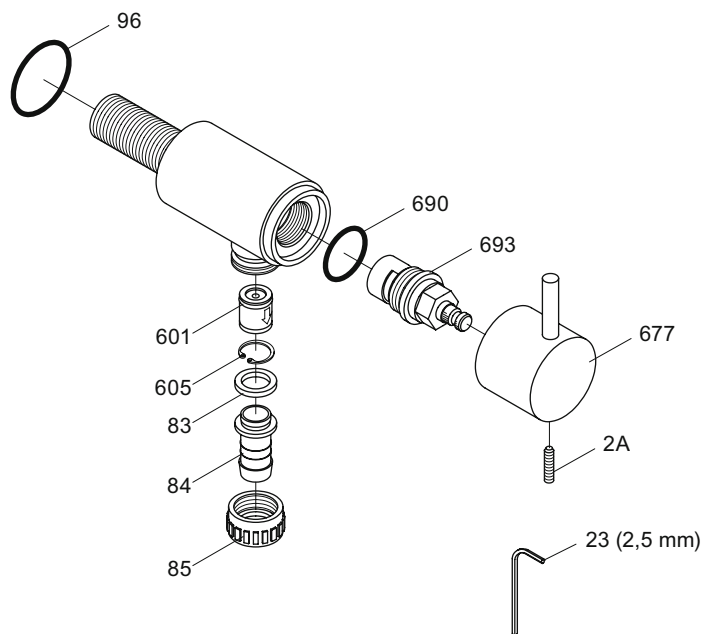


5



6





vola
 Lunavej 2
 DK-8700 Horsens
 Tlf : + 45 7023 5500
 Fax: + 45 7023 5511
 sales@vola.com
 www.vola.com

VOLA SH1

Date
Jan. 96

Rev.
1

Sheet
SB 30.2