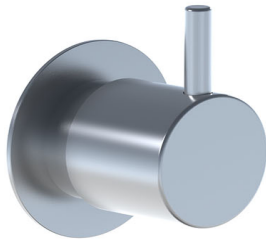


Date:

Client:

Project:

VOLA product: S21



**S21**

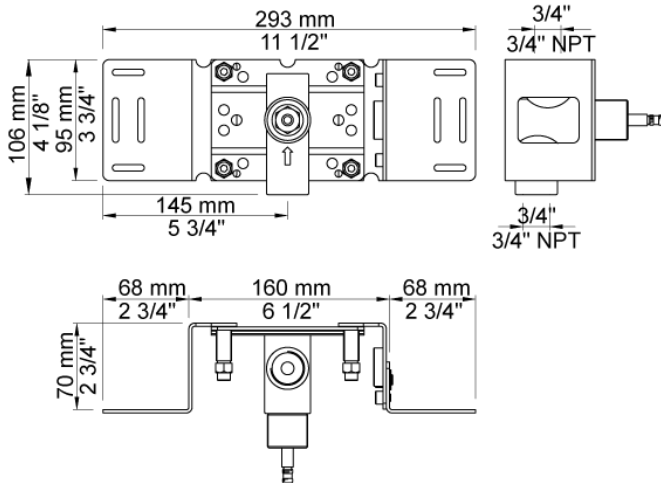
3/4" build-in stop valve with ceramic disc technology. S21 UP = Valve S21V. S21 AP = Handle NR17, 60 mm circular flange 001.

**Flow**

	<b>Bar:</b>	<b>1.0</b>	<b>2.0</b>	<b>3.0</b>	<b>4.0</b>	<b>5.0</b>
S21	(l/min)	28.9	40.8	50.0	57.7	64.6

**Available in colors**

- Color 02, Grey
- Color 04, Light blue
- Color 05, Orange
- Color 06, Light green
- Color 08, Yellow
- Color 09, Dark grey
- Color 12, Mocca
- Color 14, Bright red
- Color 15, Dark blue
- Color 16, Polished chrome
- Color 17, Gloss black
- Color 18, White
- Color 19, Natural brass
- Color 20, Brushed chrome
- Color 21, Carmine red
- Color 25, Pink
- Color 27, Matt black
- Color 40, Brushed stainless steel



Date:

Client:

Project:



**Combi-31**

Water fall shower and build-in stop valve. Combi-31UP = Single valve S21V, 200M. Combi-31AP = Handle NR17, water fall shower 080W, 60 mm circular flanges 001. Requires a minimum of 14 l/min.

