

Date:

Client:

Project:

VOLA product: COMBI-12



COMBI-12

¾" Thermostatic mixer with 3-way diverter, spout, head and hand shower. Combi-12UP = Thermostatic mixer 5400NVA3, 2 pcs 200M. Combi-12AP = Handle NR51, handle NR52, handle NR64G, 160 mm fixed spout 010C, hand shower and hand shower holder with non-return valve 070, hose 1500 mm, wall mounted head shower 050, 2 pcs. 60 mm circular flange 001, four-hole plate 60 x 309 mm 5004B.

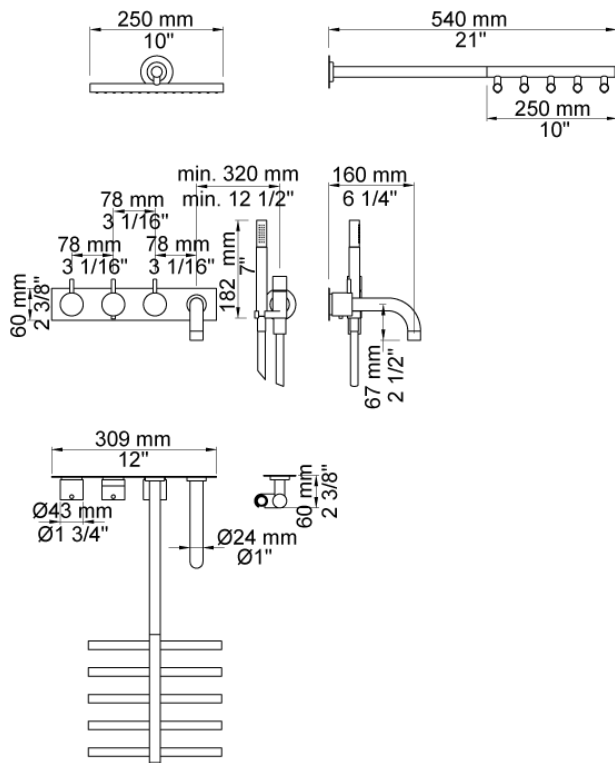
Flow

| | Bar: | 1.0 | 2.0 | 3.0 | 4.0 | 5.0 |
|--------------------|---------|------|------|------|------|------|
| 050 ¹⁾ | (l/min) | 13.3 | 18.8 | 23.0 | 26.6 | 29.7 |
| 010C ²⁾ | (l/min) | 11.6 | 16.3 | 20.0 | 23.1 | 25.8 |
| 070 ³⁾ | (l/min) | 5.2 | 7.4 | 9.0 | 9.0 | 9.0 |

¹⁾ Outlet 1 (Cal-Green flow max 2gpm)

²⁾ Outlet 2 (Cal-Green flow max 2gpm)

³⁾ Outlet 3 (Cal-Green flow max 2gpm)



Available in colors

- Color 02, Grey
- Color 04, Light blue
- Color 05, Orange
- Color 06, Light green
- Color 08, Yellow
- Color 09, Dark grey
- Color 12, Mocca
- Color 14, Bright red
- Color 15, Dark blue
- Color 16, Polished chrome
- Color 17, Gloss black
- Color 18, White
- Color 19, Natural brass
- Color 20, Brushed chrome
- Color 21, Carmine red
- Color 25, Pink
- Color 27, Matt black
- Color 40, Brushed stainless steel

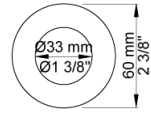
Date:

Client:

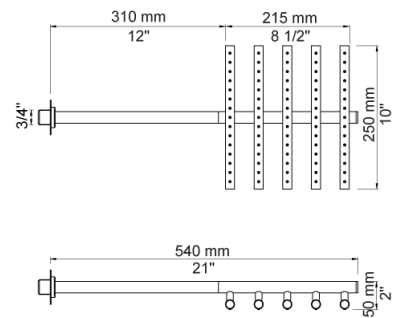
Project:



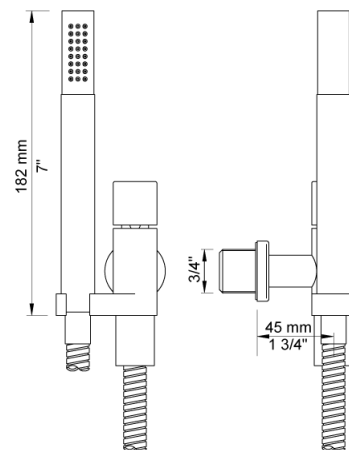
001
60 mm circular flange. Hole Ø33 mm.



050
Head shower, wall mounted. 60 mm cover flange included. Fits 200M in an existing installation if it is from the new generation of VOLA build-in fittings after 1995.



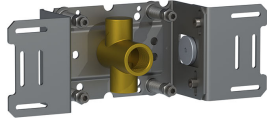
070
Hand shower, hand shower holder and hose with non-return valve.



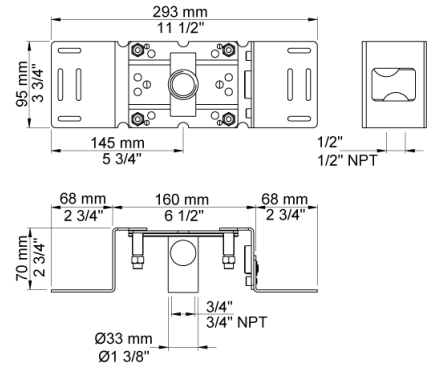
Date:

Client:

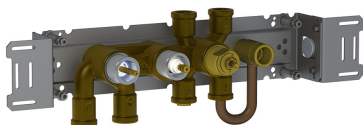
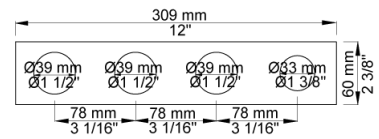
Project:



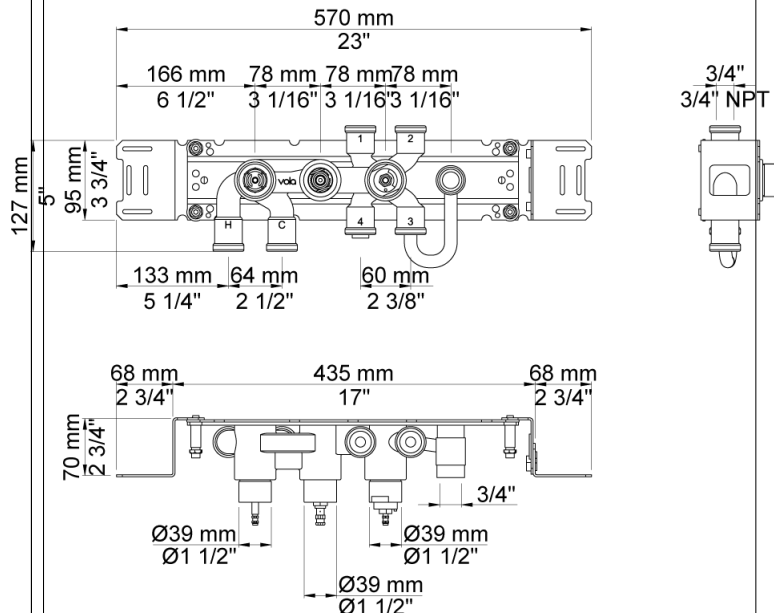
200M
Separate outlet socket. 1/2" connection to copper, steel, iron or pex pipe work.



5004B
Four-hole plate (for 5400, 5400N and 5400NV). 60 x 309 mm. Holes Ø39, Ø39, Ø39 and Ø33 mm.



5400NVA3
Thermostatic mixer with 3-way diverter, one fixed outlet socket. 3/4" connection to copper, steel or pex pipe work.



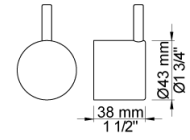
Date:

Client:

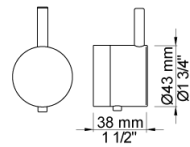
Project:



NR51
On/off handle for 5000 and 6000.



NR52
Thermostatic handle for serie 5000.



NR64G
Diverter handle for 5400/5600. With peg in the same colour as handle (Standard).

