

Date:

Client:

Project:

VOLA product: COMBI-22



COMBI-22

¾" Thermostatic mixer with 3-way diverter. Combi-22UP = Thermostatic mixer 5400NVA3, 2 pcs 200M. Combi-22AP = Handle NR51, handle NR52, handle NR64G, 160 mm fixed spout 010C, hand shower and hand shower holder with non-return valve 070, hose 1500 mm, wall mounted head shower 060, 60 mm circular flange 001, four-hole plate 60 x 309 mm 5004B.

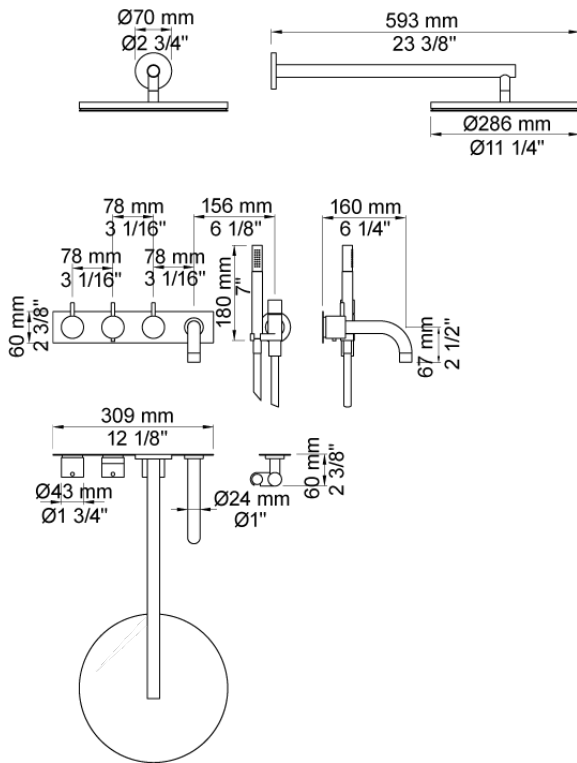
Flow

	Bar:	1.0	2.0	3.0	4.0	5.0
060 ¹⁾	(l/min)	12.7	18.0	22.0	25.4	28.4
010C ²⁾	(l/min)	11.6	16.3	20.0	23.1	25.8
070 ³⁾	(l/min)	5.2	7.4	9.0	9.0	9.0

¹⁾ Outlet 1

²⁾ Outlet 2

³⁾ Outlet 3



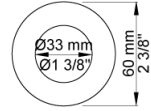
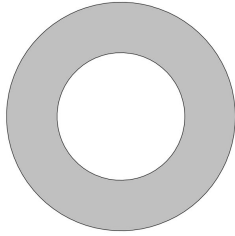
Available in colors

- Color 02, Grey
- Color 04, Light blue
- Color 05, Orange
- Color 06, Light green
- Color 08, Yellow
- Color 09, Dark grey
- Color 12, Mocca
- Color 14, Bright red
- Color 15, Dark blue
- Color 16, Polished chrome
- Color 17, Gloss black
- Color 18, White
- Color 19, Natural brass
- Color 20, Brushed chrome
- Color 21, Carmine red
- Color 25, Pink
- Color 27, Matt black
- Color 40, Brushed stainless steel

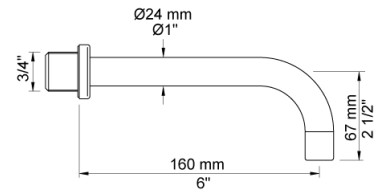
Date:

Client:

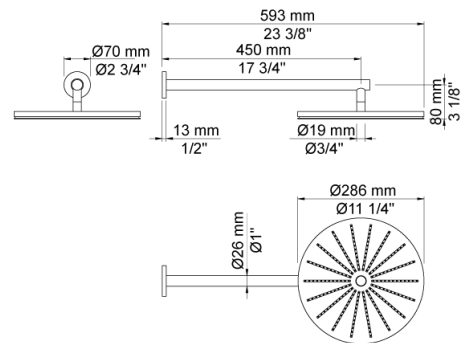
Project:



001
60 mm circular flange. Hole Ø33 mm.



010C
160 mm fixed spout for high flow.



060
Head shower, round, wall-mounted.

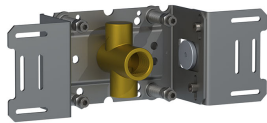
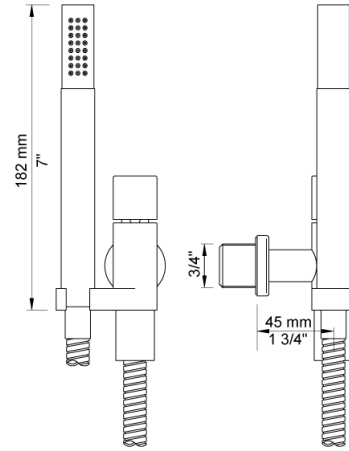
Date:

Client:

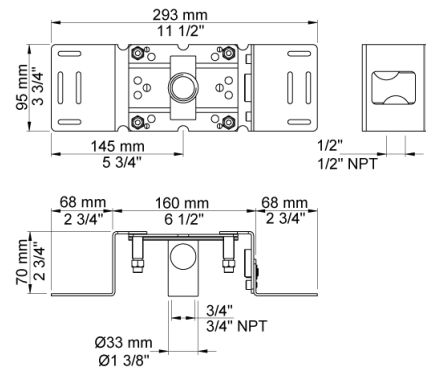
Project:



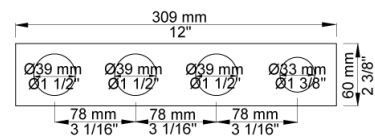
070
Hand shower, hand shower holder and hose with non-return valve.



200M
Separate outlet socket. 1/2" connection to copper, steel, iron or pex pipe work.



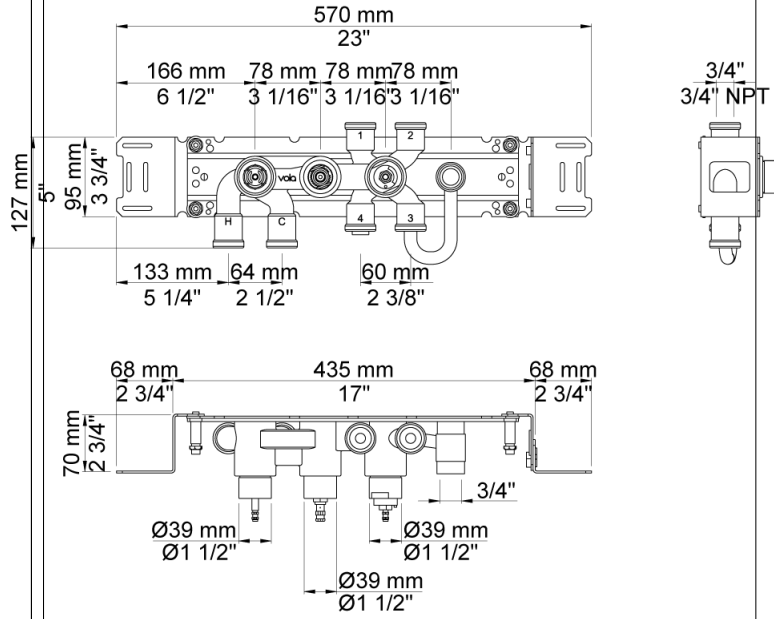
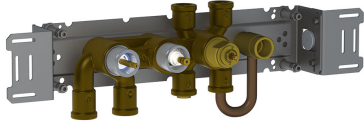
5004B
Four-hole plate (for 5400, 5400N and 5400NV). 60 x 309 mm. Holes Ø39, Ø39, Ø39 and Ø33 mm.



Date:

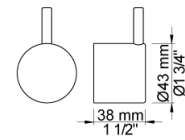
Client:

Project:



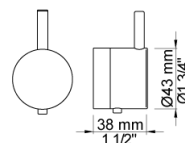
5400NVA3

Thermostatic mixer with 3-way diverter, one fixed outlet socket. 3/4" connection to copper, steel, iron or pex pipe work.



NR51

On/off handle for 5000 and 6000.



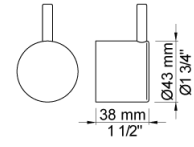
NR52

Thermostatic handle for serie 5000.

Date:

Client:

Project:



NR64G

Diverter handle for 5400/5600. With peg in the same colour as handle (Standard).