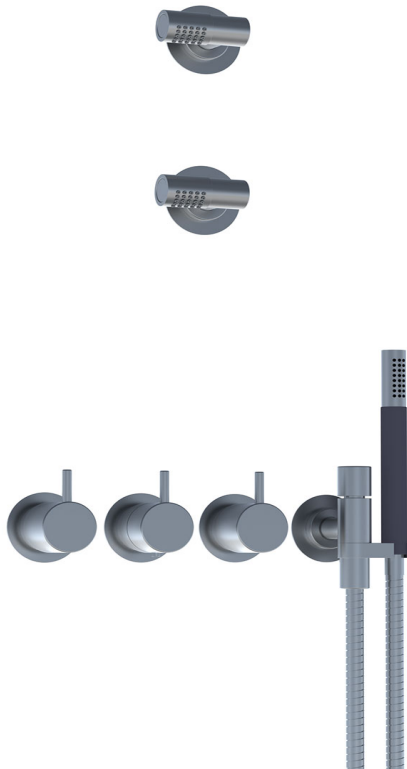


Date:

Client:

Project:

VOLA product: COMBI-23



COMBI-23

¾" Thermostatic mixer with 3-way diverter. Combi-23UP = Thermostatic mixer 5400NVA3, 2 pcs. 200M. Combi-23AP = Handle NR51, handle NR52, handle NR64G, hand shower and hand shower holder with non-return valve 070R, hose 1500 mm, 2 pcs. 080K, 3 pcs. 60 mm circular flange 001, 3 pcs. 2001.

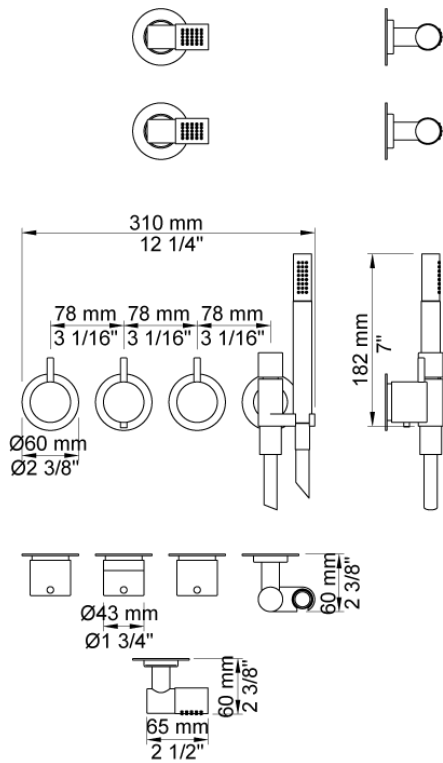
Flow

	Bar:	1.0	2.0	3.0	4.0	5.0
080K ¹⁾	(l/min)	6.9	9.8	12.0	13.9	15.5
080K ²⁾	(l/min)	6.9	9.8	12.0	13.9	15.5
070R ³⁾	(l/min)	5.2	7.4	9.0	9.0	9.0

¹⁾ Outlet 1 (Cal-Green flow max 2gpm)

²⁾ Outlet 2 (Cal-Green flow max 2gpm)

³⁾ Outlet 3 (Cal-Green flow max 2gpm)



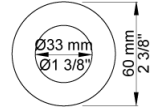
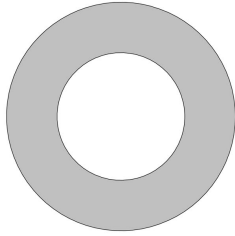
Available in colors

- Color 02, Grey
- Color 04, Light blue
- Color 05, Orange
- Color 06, Light green
- Color 08, Yellow
- Color 09, Dark grey
- Color 12, Mocca
- Color 14, Bright red
- Color 15, Dark blue
- Color 16, Polished chrome
- Color 17, Gloss black
- Color 18, White
- Color 19, Natural brass
- Color 20, Brushed chrome
- Color 21, Carmine red
- Color 25, Pink
- Color 27, Matt black
- Color 40, Brushed stainless steel

Date:

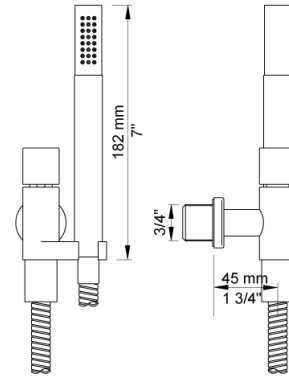
Client:

Project:



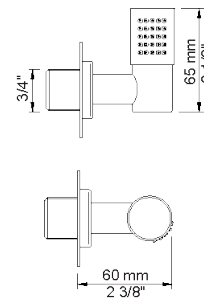
001

60 mm circular flange. Hole Ø33 mm.



070R

Hand shower, hand shower with holder to the right and hose with non-return valve.



080K

45 mm head shower, body jet. 60 mm cover flange included.

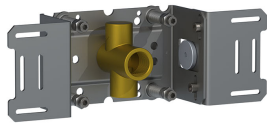
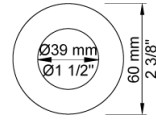
Date:

Client:

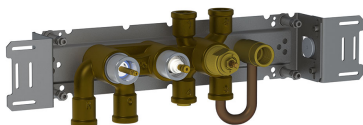
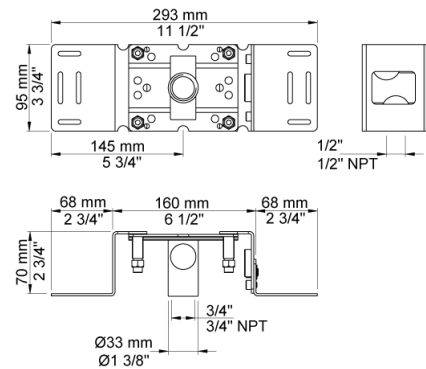
Project:



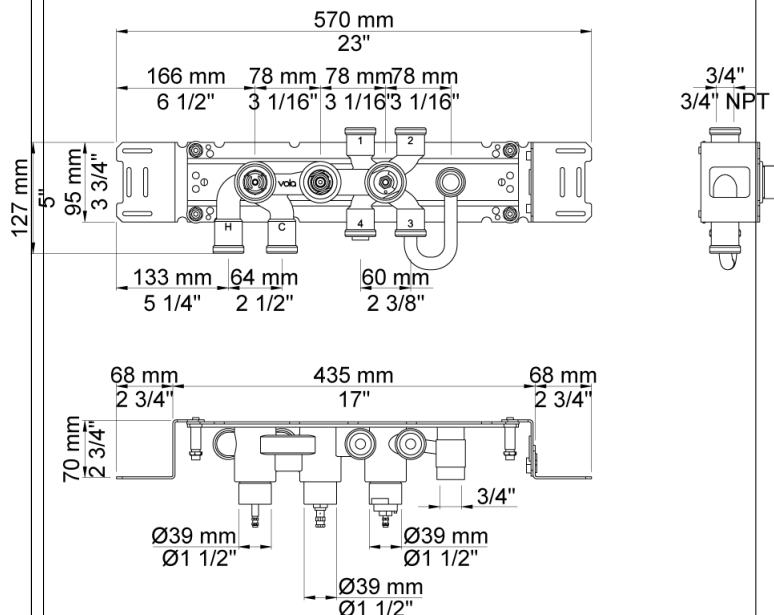
2001
60 mm circular flange. Hole Ø39 mm.



200M
Separate outlet socket. 1/2" connection to copper, steel, iron or pex pipe work.



5400NVA3
Thermostatic mixer with 3-way diverter, one fixed outlet socket. 3/4" connection to copper, steel, iron or pex pipe work.



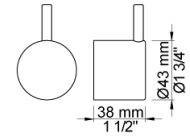
Date:

Client:

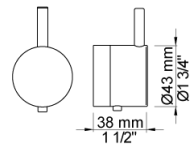
Project:



NR51
On/off handle for 5000 and 6000.



NR52
Thermostatic handle for serie 5000.



NR64G
Diverter handle for 5400/5600. With peg in the same colour as handle (Standard).

