

Date:

Client:

Project:

VOLA product: Combi-31



Combi-31

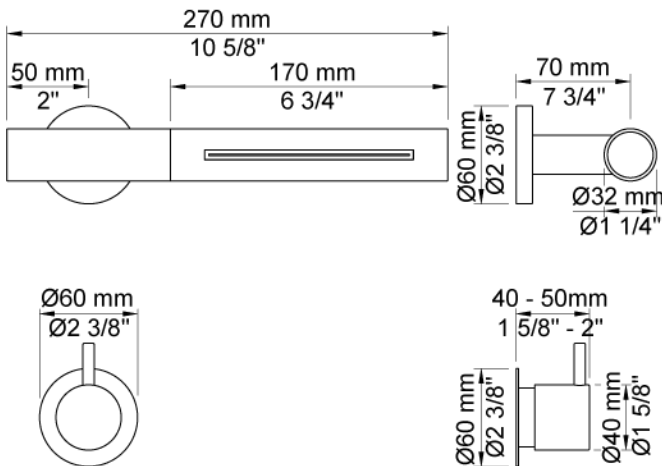
Water fall shower and build-in stop valve. Combi-31UP = Single valve S21V, 200M. Combi-31AP = Handle NR17, water fall shower 080W, 60 mm circular flanges 001. Requires a minimum of 14 l/min.

Flow

	Bar:	1.0	2.0	3.0	4.0	5.0
Combi-31	(l/min)	23.1	32.7	40.0	46.2	51.6

Available in colors

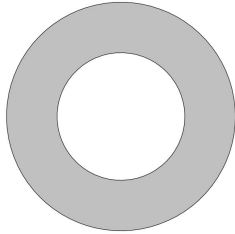
- Color 02, Grey
- Color 04, Light blue
- Color 05, Orange
- Color 06, Light green
- Color 08, Yellow
- Color 09, Dark grey
- Color 12, Mocca
- Color 14, Bright red
- Color 15, Dark blue
- Color 16, Polished chrome
- Color 17, Gloss black
- Color 18, White
- Color 19, Natural brass
- Color 20, Brushed chrome
- Color 21, Carmine red
- Color 25, Pink
- Color 27, Matt black
- Color 40, Brushed stainless steel



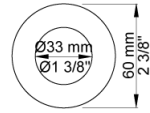
Date:

Client:

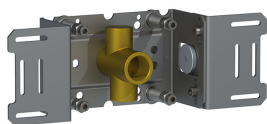
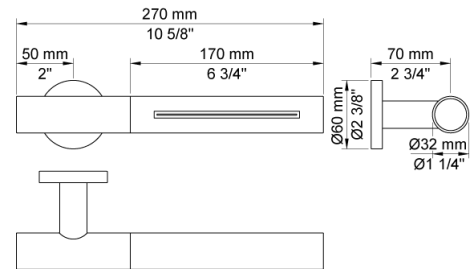
Project:



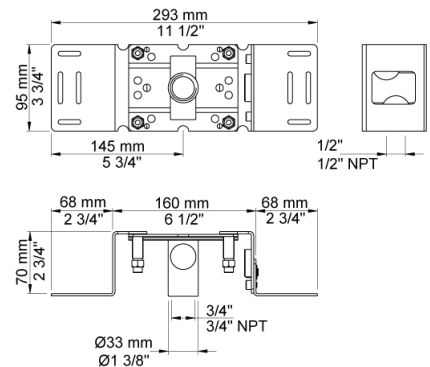
001
60 mm circular flange. Hole Ø33 mm.



080W
Water fall shower. Requires a minimum of 14 l/min.



200M
Separate outlet socket. 1/2" connection to copper, steel, iron or pex pipe work.



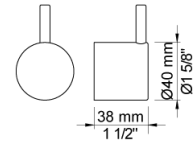
Date:

Client:

Project:



NR17
Operating handle for 600, 700, 800, 900, 1500, 2800, 2900, S20, S21, S40, S42 incl. variants. Ø40 mm.



S21
3/4" build-in stop valve with ceramic disc technology. S21 UP = Valve S21V. S21 AP = Handle NR17, 60 mm circular flange 001.

