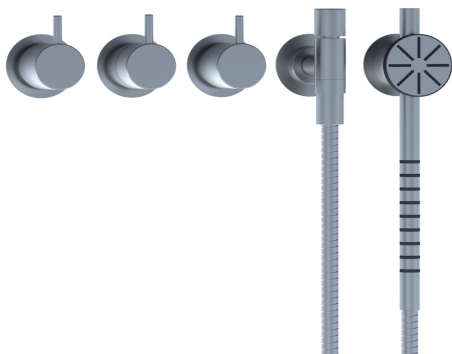


Date:

Client:

Project:

VOLA product: Combi-33



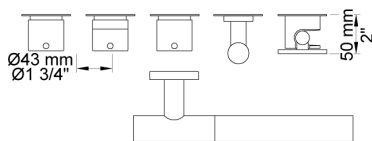
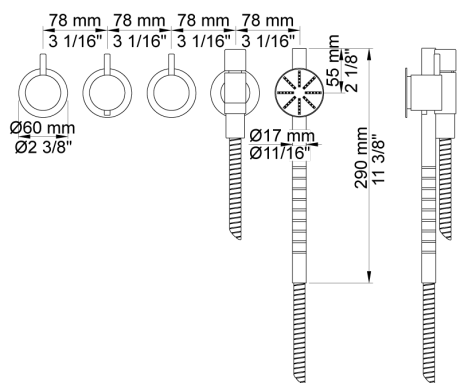
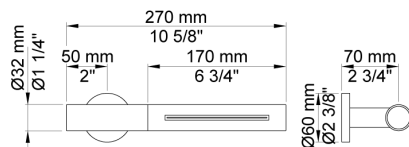
Combi-33

¾" thermostatic mixer. Combi-33UP = Thermostatic mixer 5400NV, 200M. Combi-33AP = Handle NR51, handle NR52, handle NR64G, hand shower and hand shower holder with non-return valve 070S, hose 1500 mm, water fall shower 080W, 3 pcs. 60 mm circular flanges 2001, 2 pcs. 001.Requires a minimum of 14 l/min.

Flow

	Bar:	1.0	2.0	3.0	4.0	5.0
080W	(l/min)	17.3	24.5	30.0	34.6	38.7
070S	(l/min)	6.9	9.8	12.0	13.9	15.5
070S ¹⁾	(l/min)	4.4	6.2	7.6	7.6	7.6

¹⁾ USA standard



Available in colors

- Color 02, Grey
- Color 04, Light blue
- Color 05, Orange
- Color 06, Light green
- Color 08, Yellow
- Color 09, Dark grey
- Color 12, Mocca
- Color 14, Bright red
- Color 15, Dark blue
- Color 16, Polished chrome
- Color 17, Gloss black
- Color 18, White
- Color 19, Natural brass
- Color 20, Brushed chrome
- Color 21, Carmine red
- Color 25, Pink
- Color 27, Matt black
- Color 40, Brushed stainless steel

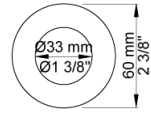
Date:

Client:

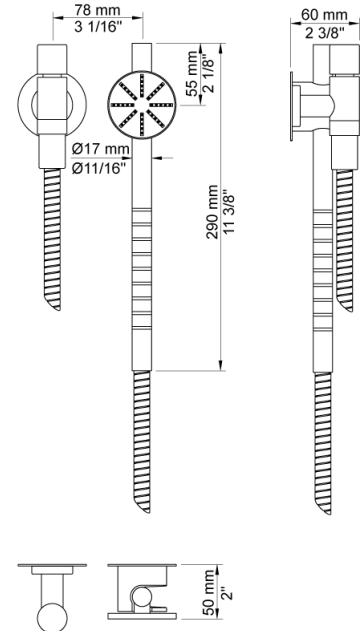
Project:



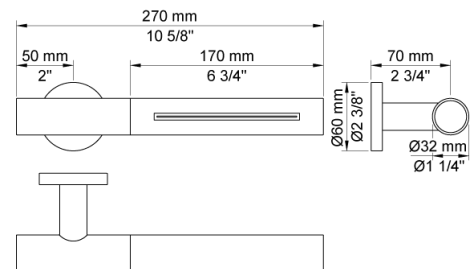
001
60 mm circular flange. Hole Ø33 mm.



070S
Hand shower, hand shower holder and hose with non-return valve.



080W
Water fall shower. Requires a minimum of 14 l/min.



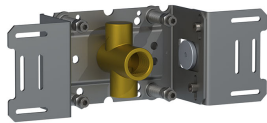
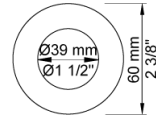
Date:

Client:

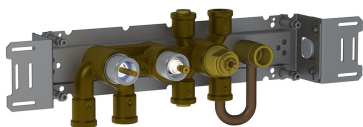
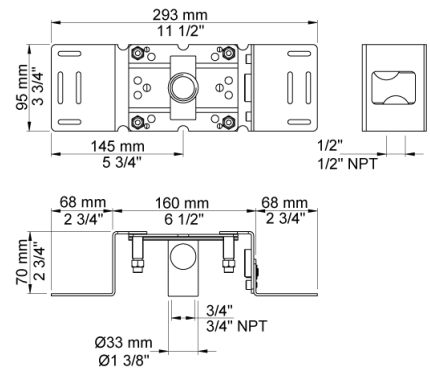
Project:



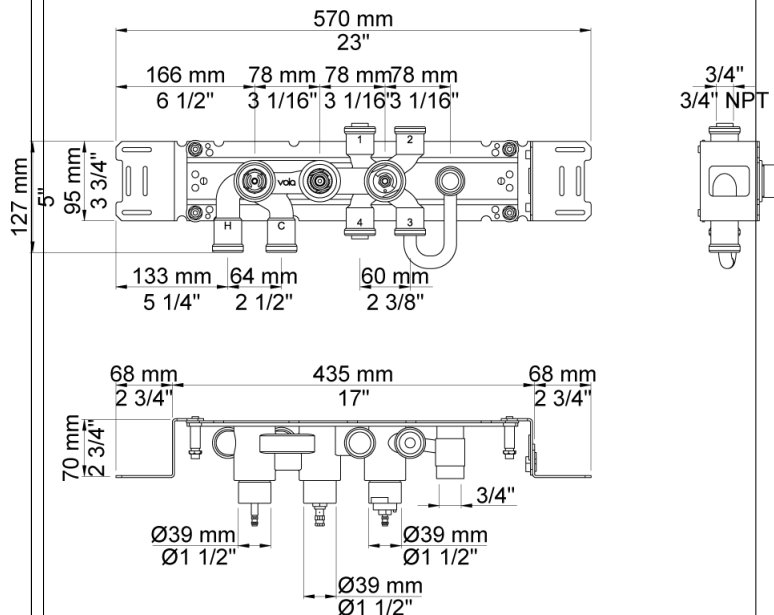
2001
60 mm circular flange. Hole Ø39 mm.



200M
Separate outlet socket. 1/2" connection to copper, steel, iron or pex pipe work.



5400NV
Thermostatic mixer with diverter and one fixed outlet socket. 3/4" connection to copper, steel, iron or pex pipe work.



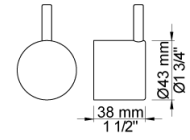
Date:

Client:

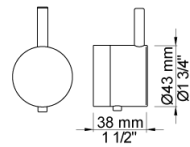
Project:



NR51
On/off handle for 5000 and 6000.



NR52
Thermostatic handle for serie 5000.



NR64G
Diverter handle for 5400/5600. With peg in the same colour as handle (Standard).

