

Date:

Client:

Project:

VOLA product: COMBI-7



COMBI-7

¾" Thermostatic mixer with 3-way diverter. Combi-7UP = Thermostatic mixer 5400NVA3, 3 pcs. 200M. Combi-7AP = Handle NR51, handle NR52, handle NR64G, hand shower and hand shower holder with non-return valve 070R, hose 1500 mm, wall mounted head shower 050, 2 pcs. 050K, 4 pcs. 60 mm circular flange 001, 3 pcs. 2001.

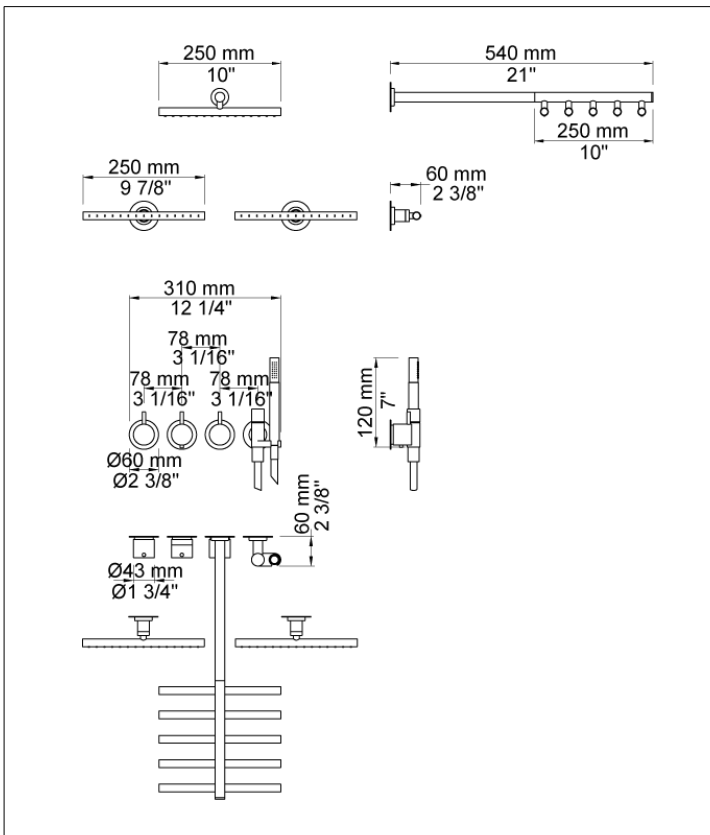
Flow

	Bar:	1.0	2.0	3.0	4.0	5.0
050 ¹⁾	(l/min)	13.3	18.8	23.0	26.6	29.7
050K ²⁾	(l/min)	2.9	4.1	5.0	5.0	5.0
070R ³⁾	(l/min)	5.2	7.4	9.0	9.0	9.0

¹⁾ Outlet 1 (Cal-Green flow max 2gpm)

²⁾ Outlet 2 (Cal-Green flow max 2gpm)

³⁾ Outlet 3 (Cal-Green flow max 2gpm)



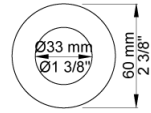
Available in colors

- Color 02, Grey
- Color 04, Light blue
- Color 05, Orange
- Color 06, Light green
- Color 08, Yellow
- Color 09, Dark grey
- Color 12, Mocca
- Color 14, Bright red
- Color 15, Dark blue
- Color 16, Polished chrome
- Color 17, Gloss black
- Color 18, White
- Color 19, Natural brass
- Color 20, Brushed chrome
- Color 21, Carmine red
- Color 25, Pink
- Color 27, Matt black
- Color 40, Brushed stainless steel

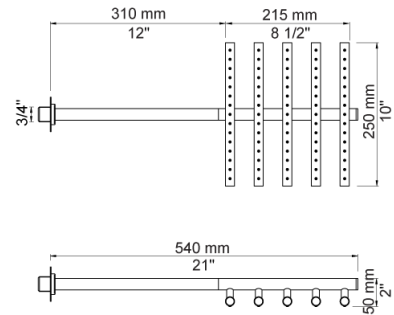
Date:

Client:

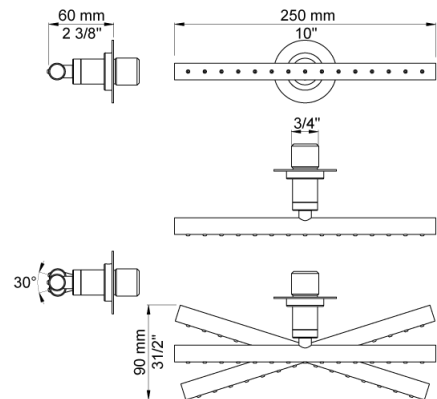
Project:



001
60 mm circular flange. Hole Ø33 mm.



050
Head shower, wall mounted. 60 mm cover flange included. Fits 200M in an existing installation if it is from the new generation of VOLA build-in fittings after 1995.



050K
Adjustable body jet. 60 mm cover flange included.

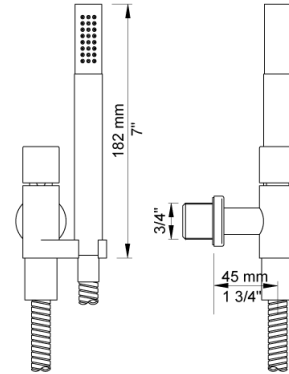
Date:

Client:

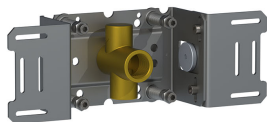
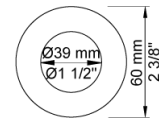
Project:



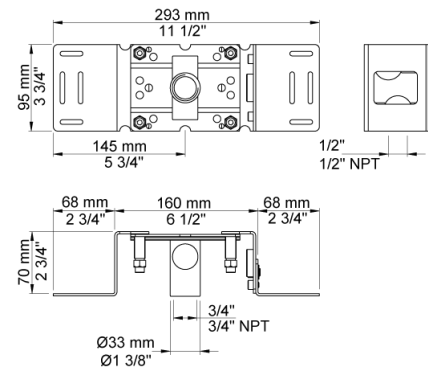
070R
Hand shower, hand shower with holder to the right and hose with non-return valve.



2001
60 mm circular flange. Hole Ø39 mm.



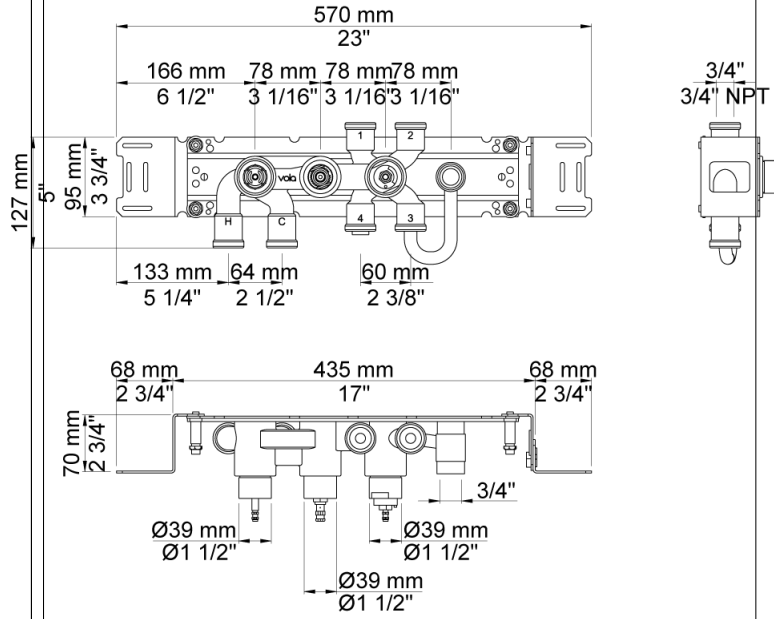
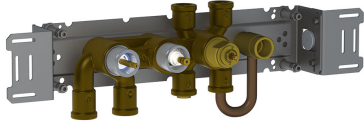
200M
Separate outlet socket. 1/2" connection to copper, steel, iron or pex pipe work.



Date:

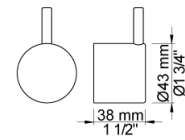
Client:

Project:



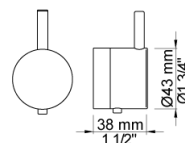
5400NVA3

Thermostatic mixer with 3-way diverter, one fixed outlet socket. 3/4" connection to copper, steel, iron or pex pipe work.



NR51

On/off handle for 5000 and 6000.



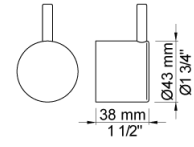
NR52

Thermostatic handle for serie 5000.

Date:

Client:

Project:



NR64G

Diverter handle for 5400/5600. With peg in the same colour as handle (Standard).