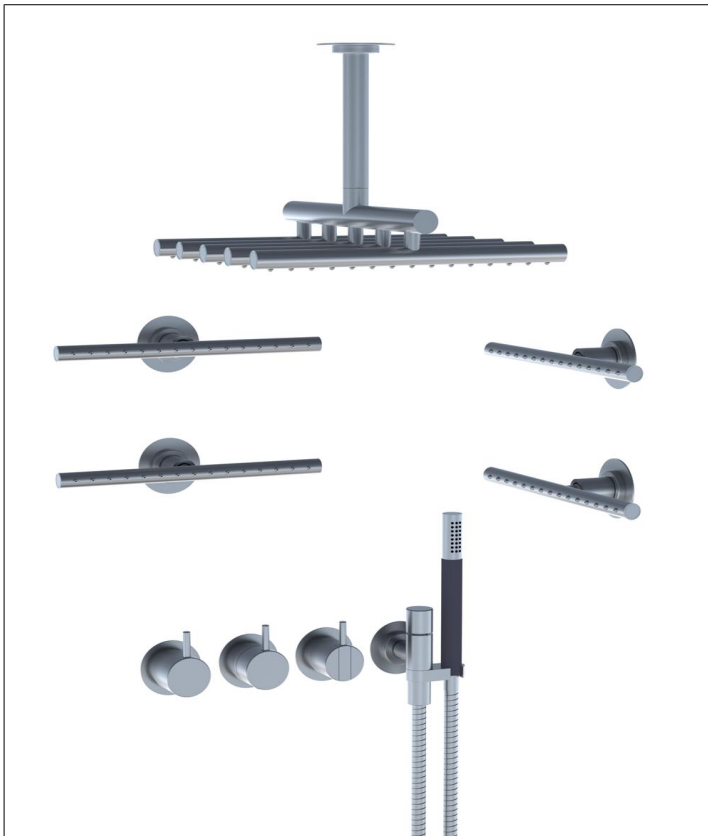


Date:

Client:

Project:

VOLA product: COMBI-8



**COMBI-8**

¾" Thermostatic mixer with 3-way diverter. Combi-8UP = Thermostatic mixer 5400NVA3, 5 pcs. 200M. Combi-8AP = Handle NR51, handle NR52, handle NR64G, hand shower and hand shower holder with non-return valve 070R, hose 1500 mm, ceiling mounted head shower 050A, 4 pcs. 050K, 6 pcs. 60 mm circular flange 001, 3 pcs. 2001.

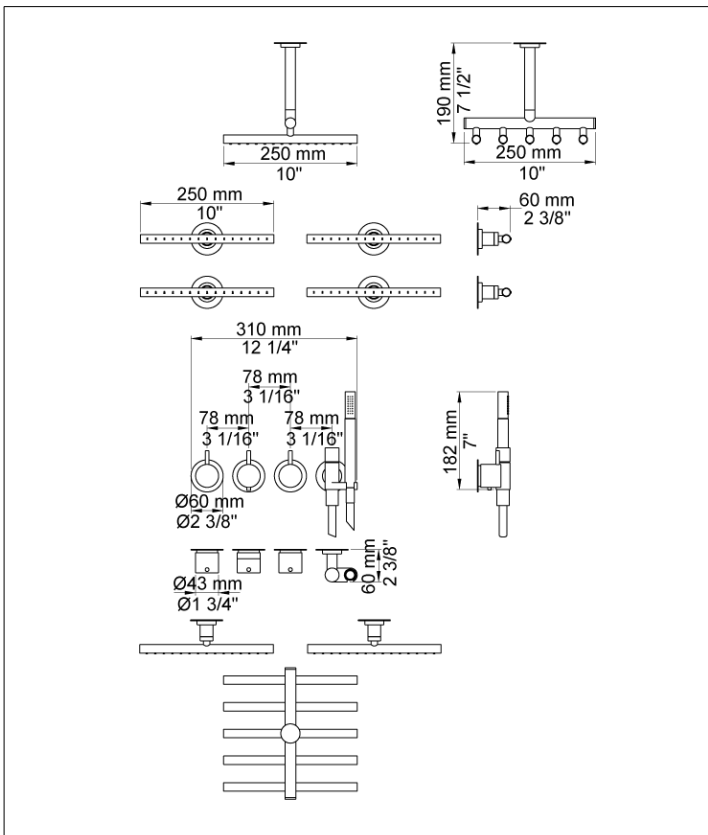
**Flow**

|                    | Bar:    | 1.0  | 2.0  | 3.0  | 4.0  | 5.0  |
|--------------------|---------|------|------|------|------|------|
| 050A <sup>1)</sup> | (l/min) | 13.3 | 18.8 | 23.0 | 26.6 | 29.7 |
| 050K <sup>2)</sup> | (l/min) | 2.9  | 4.1  | 5.0  | 5.0  | 5.0  |
| 070R <sup>3)</sup> | (l/min) | 5.2  | 7.4  | 9.0  | 9.0  | 9.0  |

<sup>1)</sup> Outlet 1 (Cal-Green flow max 2gpm)

<sup>2)</sup> Outlet 2 (Cal-Green flow max 2gpm)

<sup>3)</sup> Outlet 3 (Cal-Green flow max 2gpm)



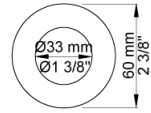
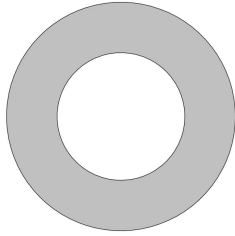
**Available in colors**

- Color 02, Grey
- Color 04, Light blue
- Color 05, Orange
- Color 06, Light green
- Color 08, Yellow
- Color 09, Dark grey
- Color 12, Mocca
- Color 14, Bright red
- Color 15, Dark blue
- Color 16, Polished chrome
- Color 17, Gloss black
- Color 18, White
- Color 19, Natural brass
- Color 20, Brushed chrome
- Color 21, Carmine red
- Color 25, Pink
- Color 27, Matt black
- Color 40, Brushed stainless steel

Date:

Client:

Project:



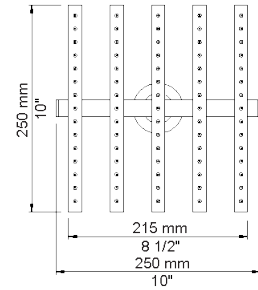
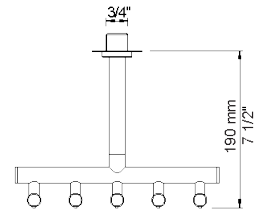
**001**

60 mm circular flange. Hole Ø33 mm.



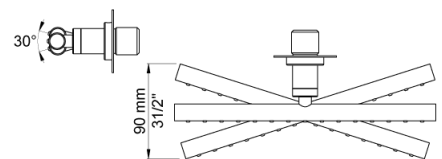
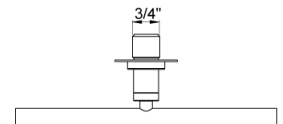
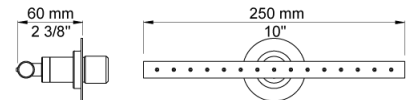
**050A**

Head shower, ceiling mounted. 60 mm cover flange included.



**050K**

Adjustable body jet. 60 mm cover flange included.



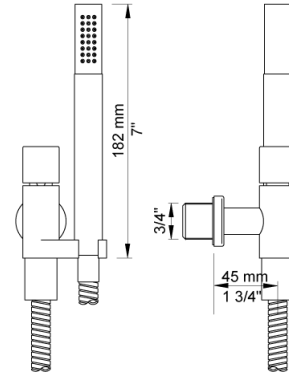
Date:

Client:

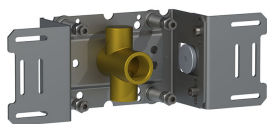
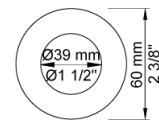
Project:



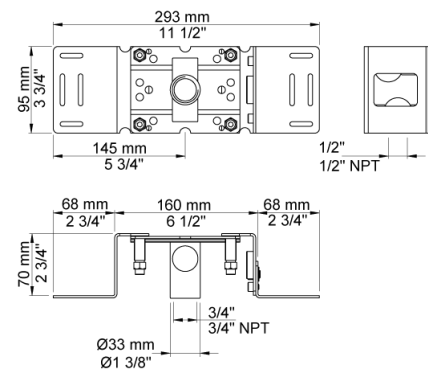
**070R**  
Hand shower, hand shower with holder to the right and hose with non-return valve.



**2001**  
60 mm circular flange. Hole Ø39 mm.



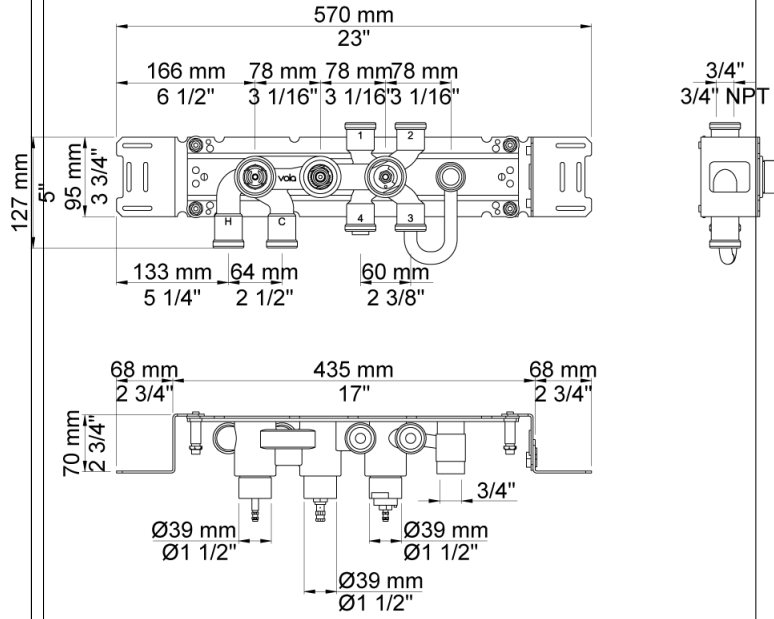
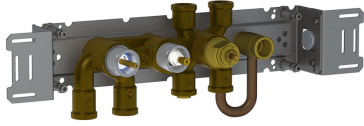
**200M**  
Separate outlet socket. 1/2" connection to copper, steel, iron or pex pipe work.



Date:

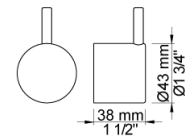
Client:

Project:



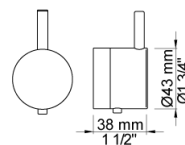
**5400NVA3**

Thermostatic mixer with 3-way diverter, one fixed outlet socket. 3/4" connection to copper, steel, iron or pex pipe work.



**NR51**

On/off handle for 5000 and 6000.



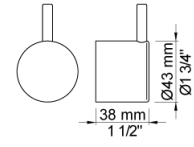
**NR52**

Thermostatic handle for serie 5000.

Date:

Client:

Project:



**NR64G**

Diverter handle for 5400/5600. With peg in the same colour as handle (Standard).