

Date:

Client:

Project:

VOLA product: 2473



2473

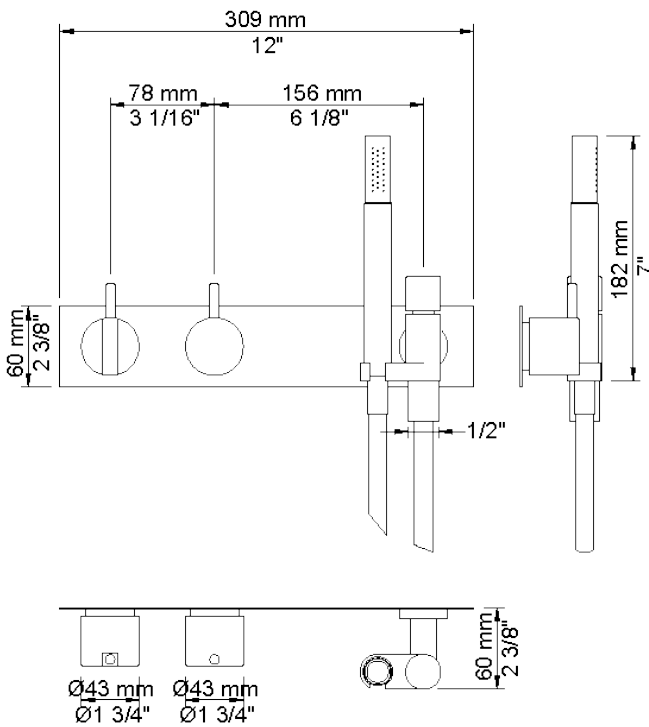
One-handle build-in mixer with ceramic disc technology and diverter. 2473UP = Build-in mixer 2400FV. 2473AP = Handle NR21, handle NR24G, hand shower and hand shower holder with non-return valve 070, hose 1500 mm, three-hole plate 60 x 309 mm 2003.A24 sold separately.

Flow

	Bar:	1.0	2.0	3.0	4.0	5.0
2400RV	(l/min)	12.7	18.0	22.0	25.4	28.4
070	(l/min)	5.2	7.4	9.0	9.0	9.0

Available in colors

- Color 02, Grey
- Color 04, Light blue
- Color 05, Orange
- Color 06, Light green
- Color 08, Yellow
- Color 09, Dark grey
- Color 12, Mocca
- Color 14, Bright red
- Color 15, Dark blue
- Color 16, Polished chrome
- Color 17, Gloss black
- Color 18, White
- Color 19, Natural brass
- Color 20, Brushed chrome
- Color 21, Carmine red
- Color 25, Pink
- Color 27, Matt black
- Color 40, Brushed stainless steel



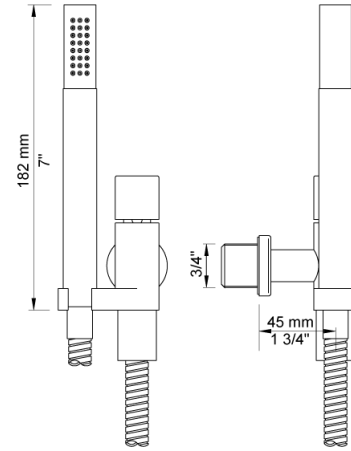
Date:

Client:

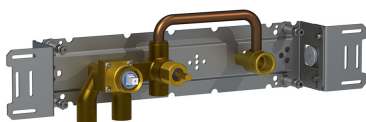
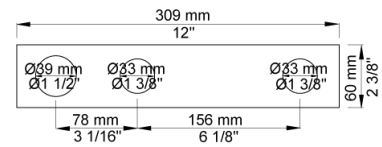
Project:



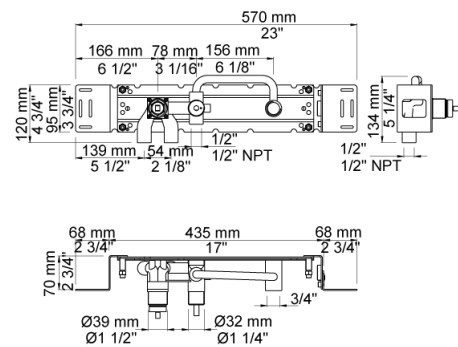
070
Hand shower, hand shower holder and hose with non-return valve.



2003
Three-hole plate, 60 x 309 mm. Holes Ø39, Ø33 and Ø33 mm.



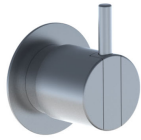
2400RV
One-handle build-in mixer with diverter, for bath filling and hand shower, with one premounted outlet socket. 1/2" connection to copper, steel, iron or pex pipe work.



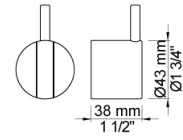
Date:

Client:

Project:



NR21
Operating handle for 2100, 2200, 2300, 2400 incl. variants. Ø43 mm.



NR24G
Diverter handle for 2400 incl. variants. Ø43 mm. With peg in the same colour as handle (Standard).

