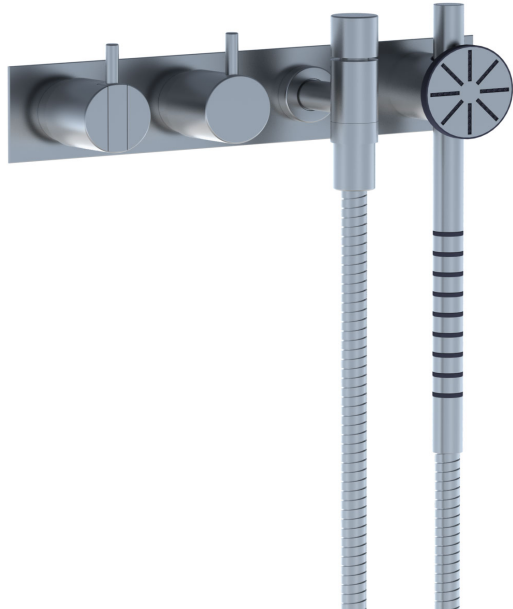


Date:

Client:

Project:

VOLA product: 2474S



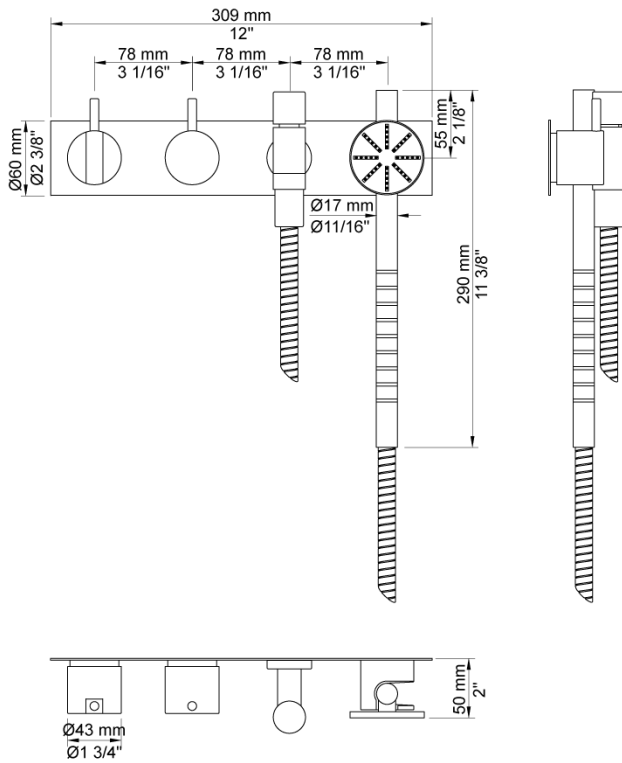
2474S

One-handle build-in mixer with ceramic disc technology and diverter.
 2474SUP = Mixer 2400NV. 2474SAP =
 Handle NR21, handle NR24G, hand shower and hand shower holder
 with non-return valve 070S, hose 1500 mm, four-hole plate, 60 x 309
 mm 2004.

Flow

	Bar:	1.0	2.0	3.0	4.0	5.0
070S ¹⁾	(l/min)	6.9	9.8	12.0	13.9	15.5
2400N	(l/min)	12.7	18.0	22.0	25.4	28.4

¹⁾ USA: Flow restricted to 2.0 gpm (7.6 l/min)



Available in colors

- Color 02, Grey
- Color 04, Light blue
- Color 05, Orange
- Color 06, Light green
- Color 08, Yellow
- Color 09, Dark grey
- Color 12, Mocca
- Color 14, Bright red
- Color 15, Dark blue
- Color 16, Polished chrome
- Color 17, Gloss black
- Color 18, White
- Color 19, Natural brass
- Color 20, Brushed chrome
- Color 21, Carmine red
- Color 25, Pink
- Color 27, Matt black
- Color 40, Brushed stainless steel

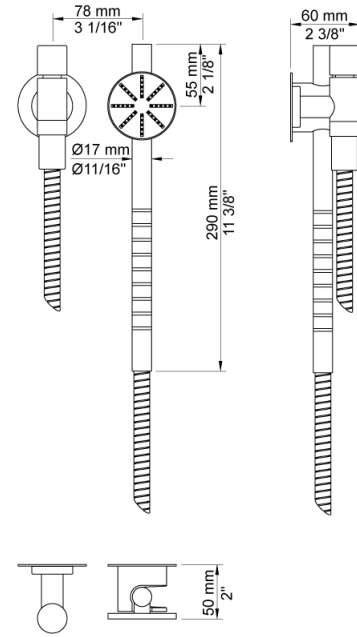
Date:

Client:

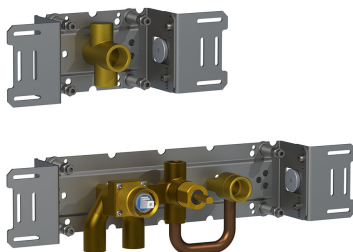
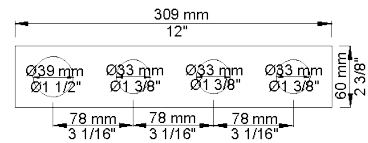
Project:



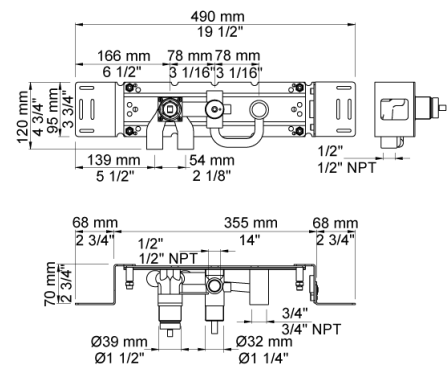
070S
Hand shower, hand shower holder and hose with non-return valve.



2004
Four-hole plate, 60 x 309 mm. Holes Ø39, Ø33, Ø33 and Ø33 mm.



2400N
One-handle build-in mixer for high flow, with diverter, with one premounted outlet socket, and one separate outlet socket, 200M. 1/2" connection to copper, steel, iron or pex pipe work.



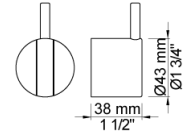
Date:

Client:

Project:



NR21
Operating handle for 2100, 2200, 2300, 2400 incl. variants. Ø43 mm.



NR24
Diverter handle for 2400 incl. variants. Ø43 mm.

