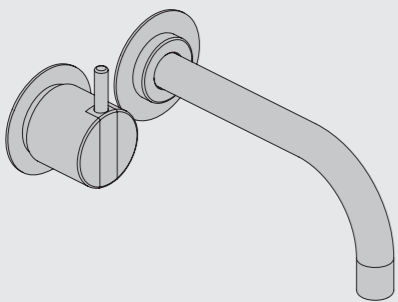


VOLA 100, 100X, 200, 200V, 300  
 VOLA 400DV, 400, 400V, 400N, 400NV, 400T  
 VOLA 400TV, 400F, 400FV, 400R, 400RV  
 VOLA 2100, 2100X, 2200, 2200V, 2300, 2400  
 VOLA 2400V, 2400N, 2400NV, 2400T, 2400TV  
 VOLA 2400F, 2400FV, 2400R, 2400RV

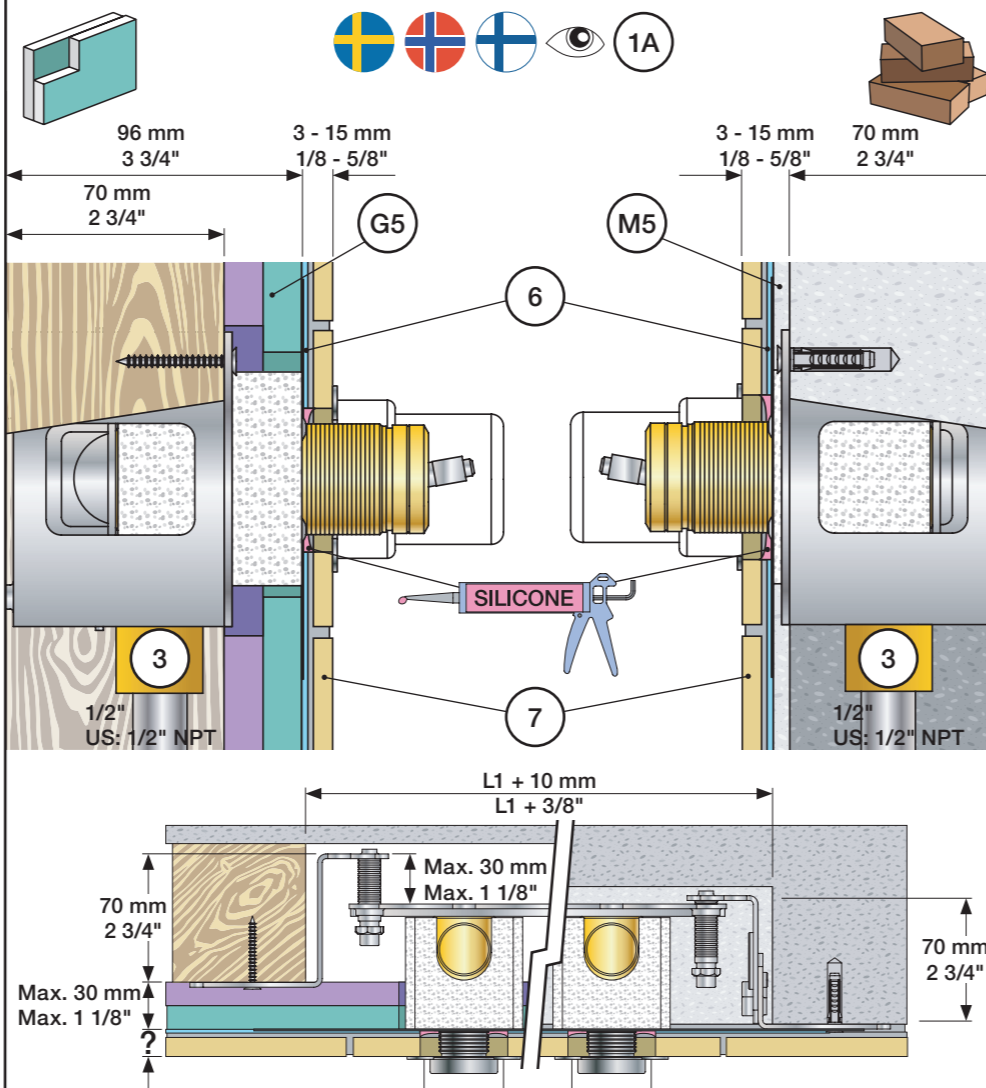


Fitting instruction  
 Montageanleitung  
 Monteringsvejledning

Monteringsvægledning  
 Montage hanledning  
 Manuel de montage



www.vola.com  
 100-2100\_V11 40999996

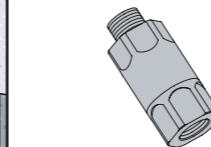


Data, 3 Bar/43.5 Psi:

|        | l/min. | Gal/min. | Max. 65°C, 150°F |
|--------|--------|----------|------------------|
| 100:   | 18,3   | 4.8      |                  |
| 400V:  | 15,6   | 4.1      |                  |
| 2100:  | 25,2   | 6.7      |                  |
| 2400V: | 22,2   | 5.9      |                  |

Max.: 10 Bar/145 psi

DE: Bitte separat beiliegende Anleitung für die Schalldämpfer VR1249 beachten

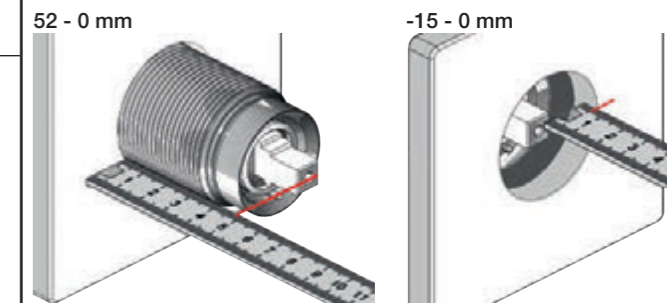


Extension Verlängerung  
 Forlængerdele Förlängning  
 Verlengstücken Modification

|           | 100/200/300/400 | VR1264 | VR1400 | VR2019 |
|-----------|-----------------|--------|--------|--------|
| Tiles:    | 3 - 15 mm Std.  | Std.   | Std.   | Std.   |
| Fliesen:  | 15 - 25 mm +10  | +10    | +10    | +10    |
| Fliser:   | 25 - 35 mm +20  | +20    | +20    | +20    |
| Tegels:   | 35 - 45 mm +30  | +30    | +30    | +30    |
| Carreaux: | 45 - 55 mm +40  | +40    | +40    | +40    |
|           | 55 - 65 mm +50  | +50    | +50    | +50    |

|           | 2100/2200/2300/2400 | VR2250 | VR1400 | VR2019 |
|-----------|---------------------|--------|--------|--------|
| Tiles:    | 3 - 15 mm Std.      | Std.   | Std.   | Std.   |
| Fliesen:  | 15 - 25 mm +10      | +10    | +10    | +10    |
| Fliser:   | 25 - 35 mm +20      | +20    | +20    | +20    |
| Tegels:   | 35 - 45 mm +30      | +30    | +30    | +30    |
| Carreaux: | 45 - 55 mm +40      | +40    | +40    | +40    |
|           | 55 - 65 mm +50      | +50    | +50    | +50    |

Extension, retrofit  
 Verlängerung, nachträglicher Einbau  
 Forlængerdele, eftermontering  
 Förlängning, eftermontering  
 Aanpassing na montage  
 Modification après installation

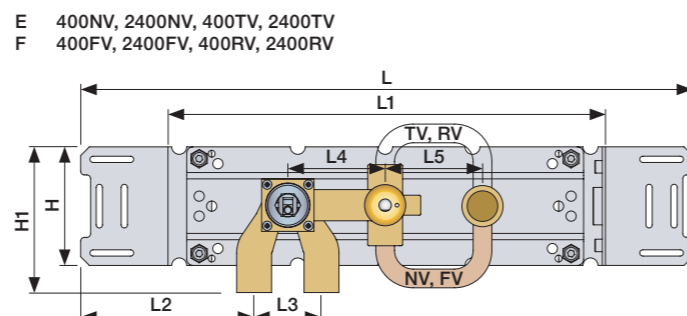
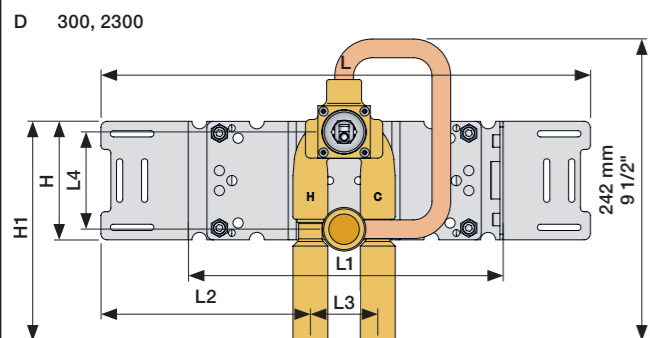
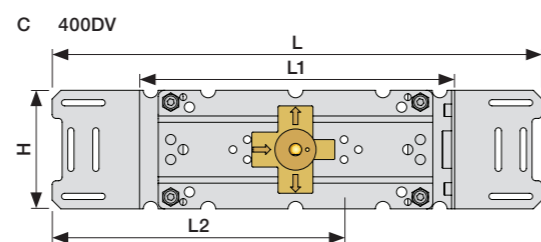
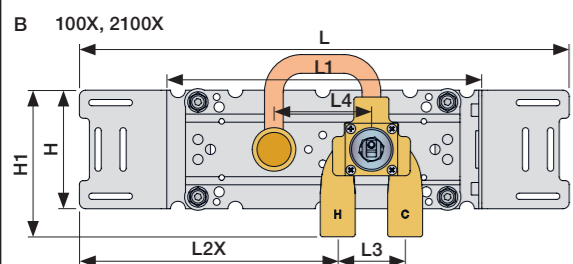
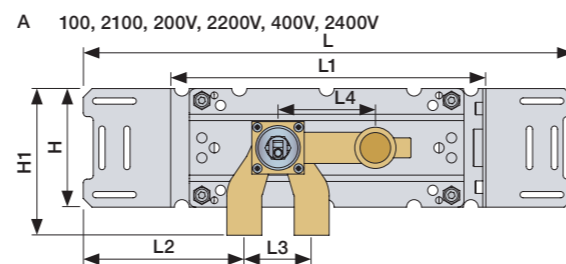


|  | 100/200/300/400 | VR1264 | VR1400 | VR2019 |
|--|-----------------|--------|--------|--------|
|  | 40 - 52 mm Std. | Std.   | Std.   | Std.   |
|  | 30 - 40 mm +10  | +10    | +10    | +10    |
|  | 20 - 30 mm +20  | +20    | +20    | +20    |
|  | 10 - 20 mm +30  | +30    | +30    | +30    |
|  | 0 - 10 mm +40   | +40    | +40    | +40    |
|  | -10 - 0 mm +50  | +50    | +50    | +50    |

|  | 2100/2200/2300/2400 | VR2250 | VR1400 | VR2019 |
|--|---------------------|--------|--------|--------|
|  | 35 - 47 mm Std.     | Std.   | Std.   | Std.   |
|  | 25 - 35 mm +10      | +10    | +10    | +10    |
|  | 15 - 25 mm +20      | +20    | +20    | +20    |
|  | 5 - 15 mm +30       | +30    | +30    | +30    |
|  | -5 - 5 mm +40       | +40    | +40    | +40    |
|  | -15 - -5 mm +50     | +50    | +50    | +50    |

|   | L                 | L1            | L2               | L3              | L4               | L5               | H | H1               |
|---|-------------------|---------------|------------------|-----------------|------------------|------------------|---|------------------|
| A |                   |               | 129 mm<br>5"     |                 |                  | -                |   | 120 mm<br>4 3/4" |
| B | 395 mm<br>15 1/2" | 260 mm<br>10" | 207 mm<br>8 1/8" |                 |                  | -                |   |                  |
| C |                   |               | 234 mm<br>9 1/4" | 54 mm<br>2 1/8" | 78 mm<br>3 1/16" |                  |   |                  |
| D |                   |               | 168 mm<br>6 5/8" |                 |                  |                  |   | 175 mm<br>6 7/8" |
| E | 490 mm<br>19 1/2" | 355 mm<br>14" |                  |                 |                  | 78 mm<br>3 1/16" |   | 120 mm<br>4 3/4" |
| F | 570 mm<br>23"     | 435 mm<br>17" | 139 mm<br>5 1/2" |                 |                  | 156 mm<br>6 1/8" |   |                  |

200: 200V + 200M  
 400: 400V + 2 x 200M  
 2400: 2400V + 2 x 200M  
 400N: 400NV + 200M  
 2400N: 2400NV + 200M  
 400T: 400TV + 200M  
 2400T: 2400TV + 200M  
 400F: 400FV + 200M  
 2400F: 2400FV + 200M  
 400R: 400RV + 200M  
 2400R: 2400RV + 200M

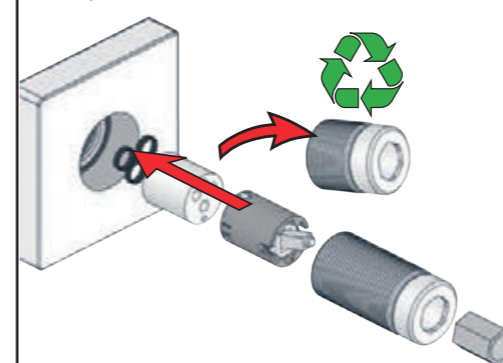


Fitting of extension  
 Montage von verlängerung

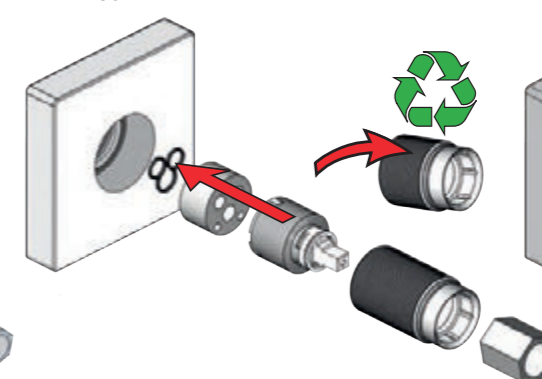
Montering af forlængerdele  
 Montering av förlängning

Montage van de verlengstukken  
 Montage des rallonges

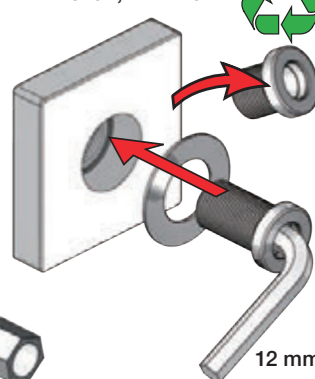
VR1264+



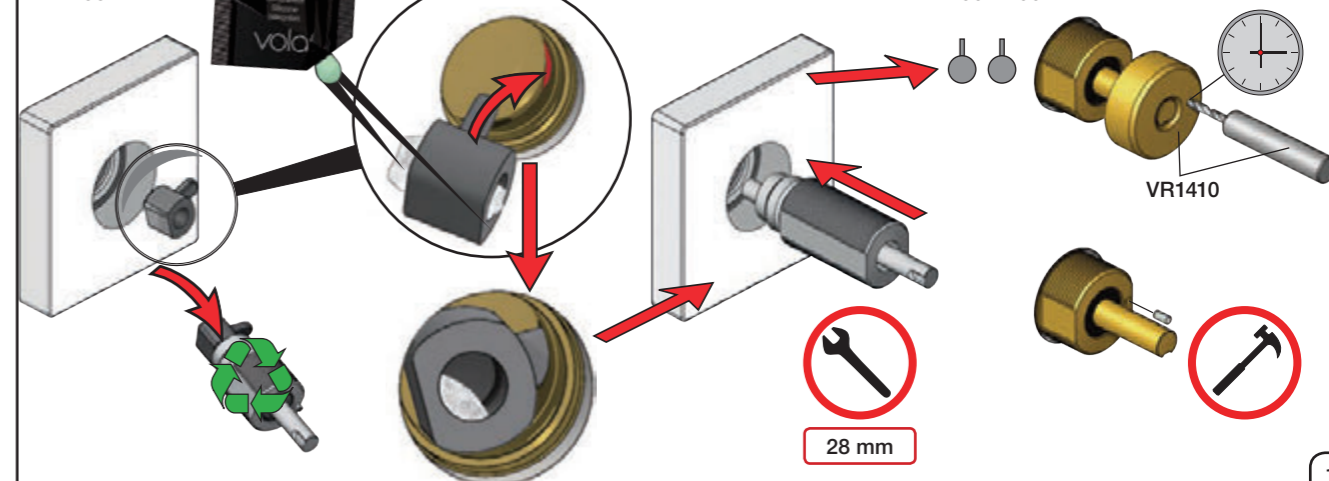
VR2250+



VR2019+, VR2119+

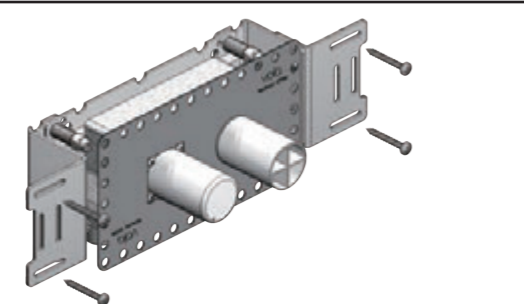


VR1400+



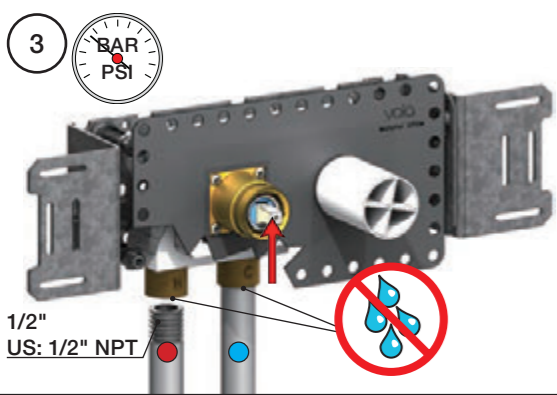
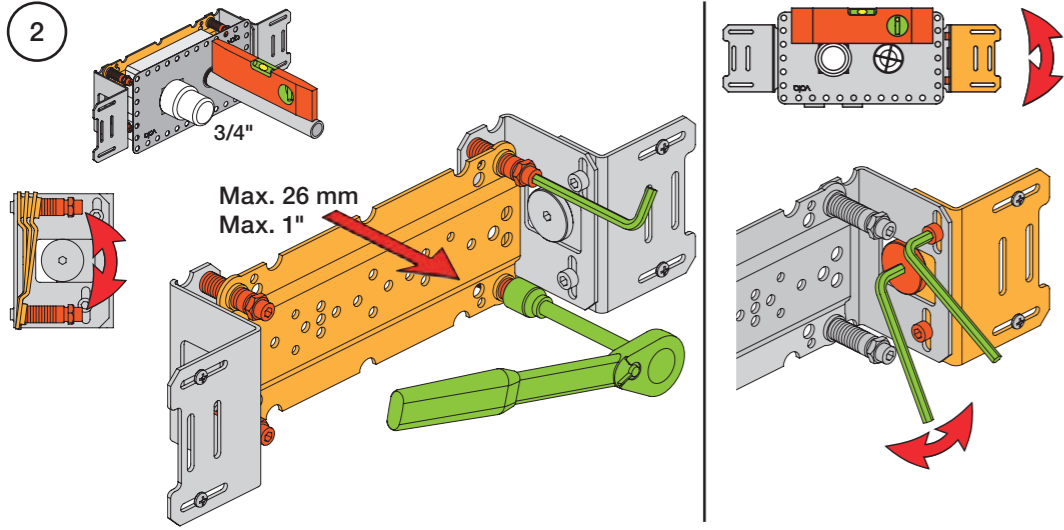
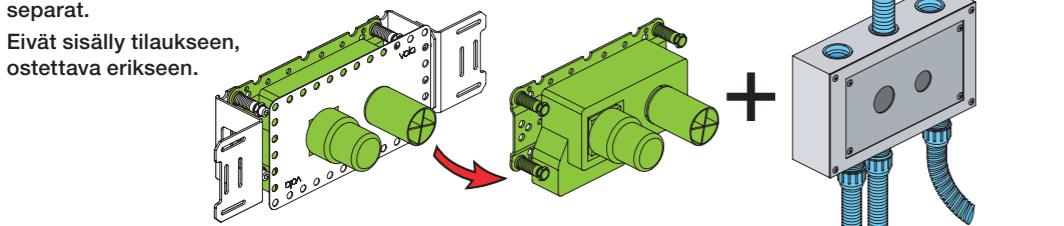


1 Check the local legislation.  
 Bitte die örtlichen Vorschriften überprüfen.  
 Tjek de lokale regler.  
 Kontrollera lokala föreskrifter  
 Nazitten lokale regelgeving.  
 Vérifiez la législation locale.

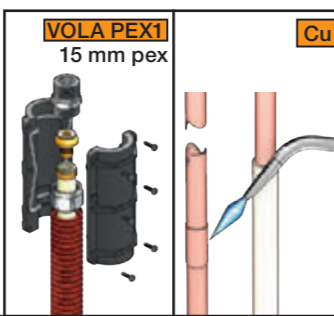


1A Box till inbyggnadsblandare.  
 Boks til indbygningsblander.  
 Laatikko seinäasenteiselle sekoittajalle.

Ingår inte i leveransen  
 köps separat.  
 Ikke inkludert, kjøpes  
 separat.  
 Eivät sisälly tilaukseen,  
 ostettava erikseen.

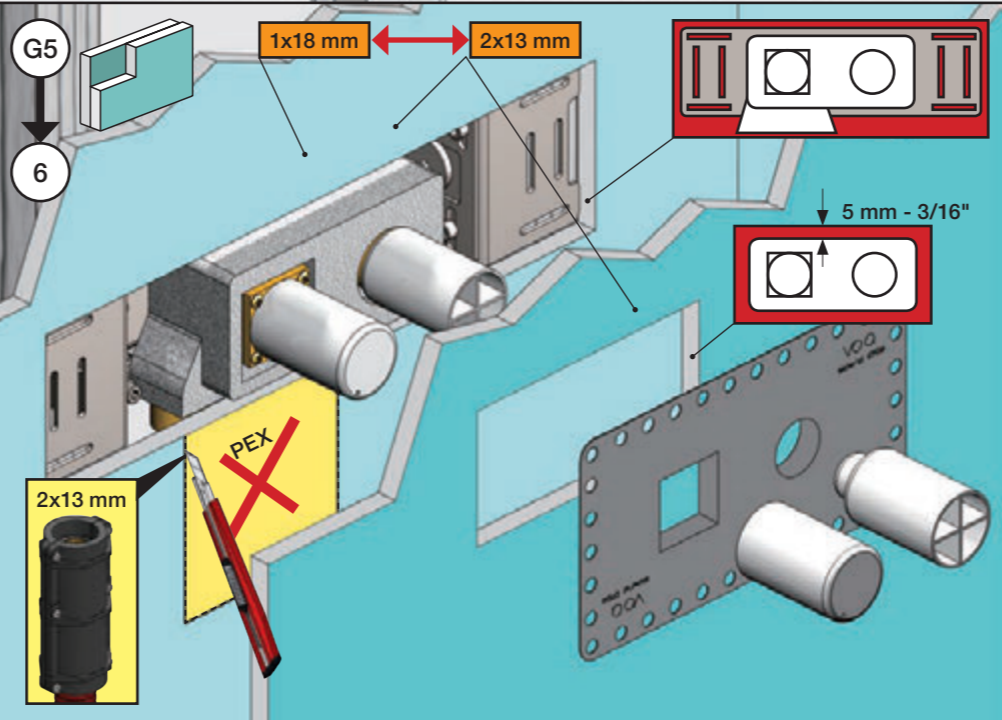
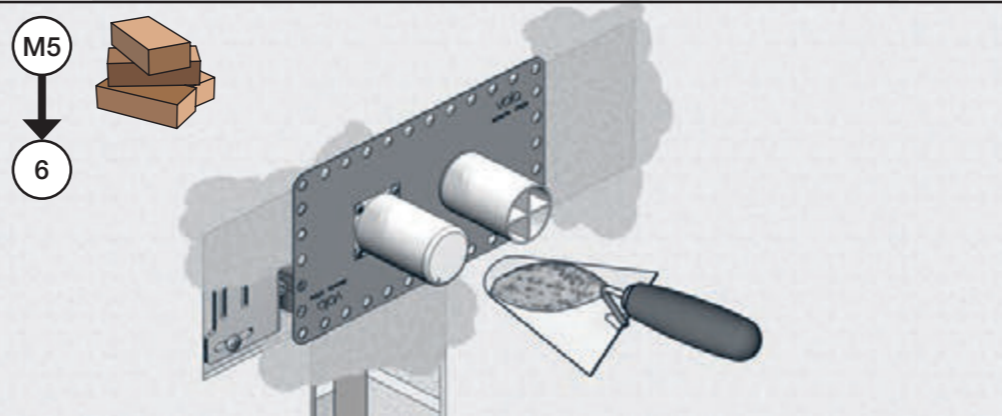
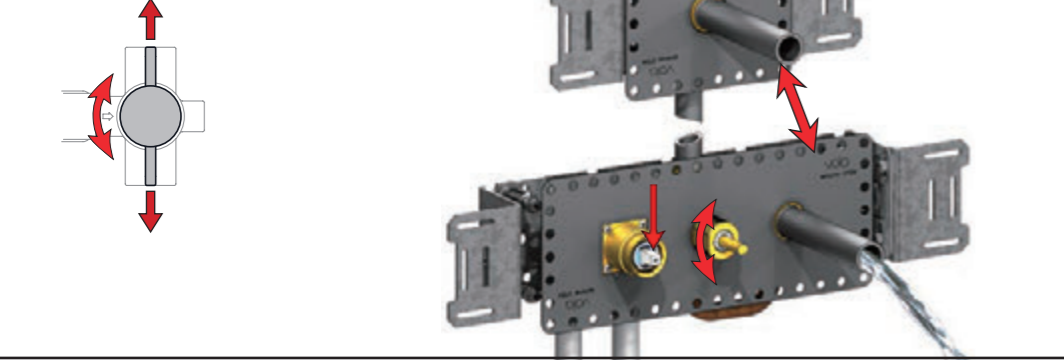


Sweden: ENDAST PEX.  
 Se separat vägledning for PEX



4 Flush installation  
 Installation Spülen  
 Skyl installation

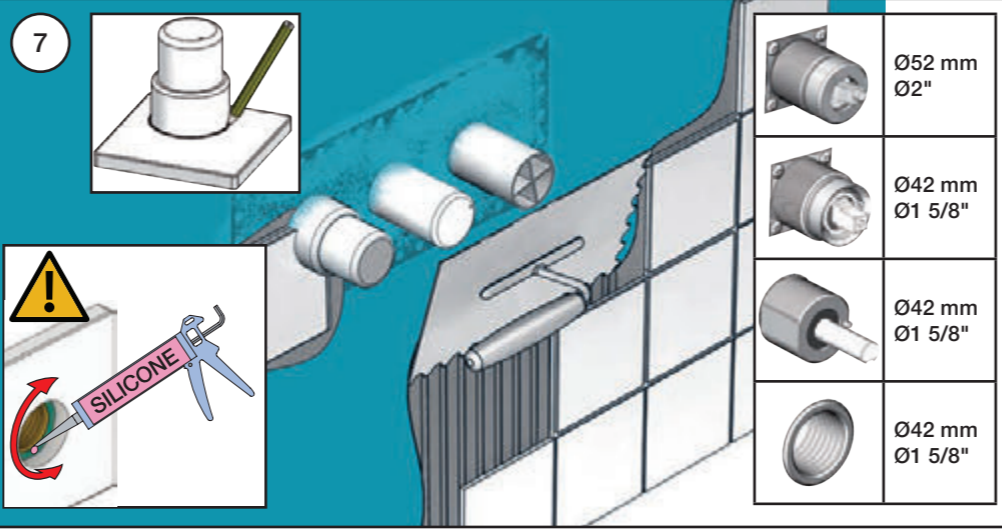
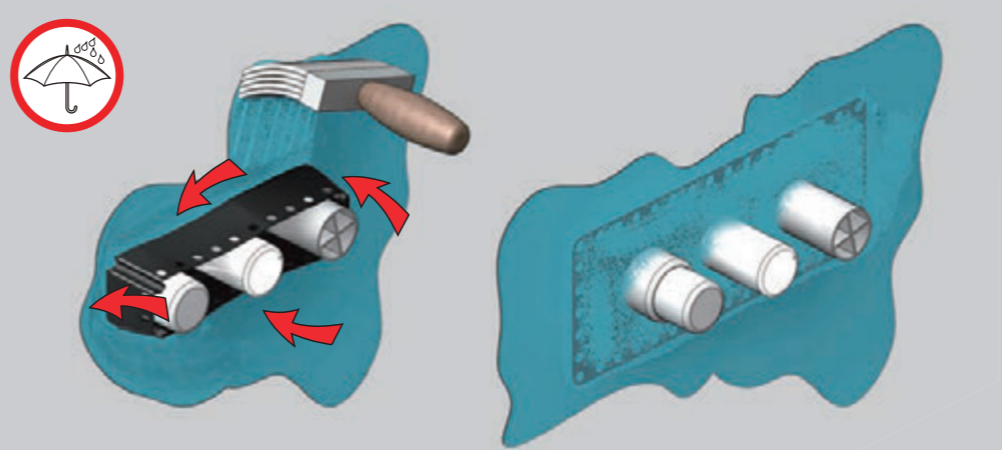
Skölj installation  
 Kraan doorspoelen  
 Rincer l'installation



6 Waterproof membrane  
 Wasserdichte Membran

Vandtæt membran  
 Vattentät membran

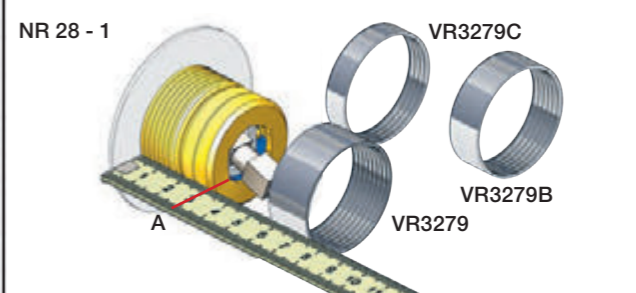
Waterdicht membran  
 Membrane imperable



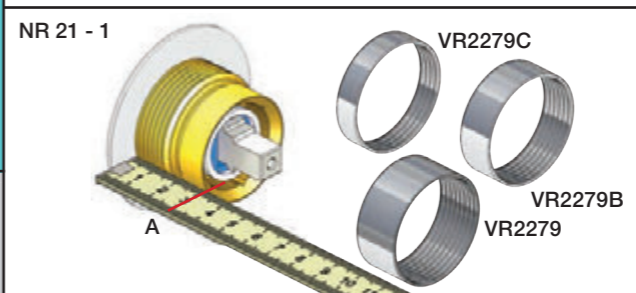
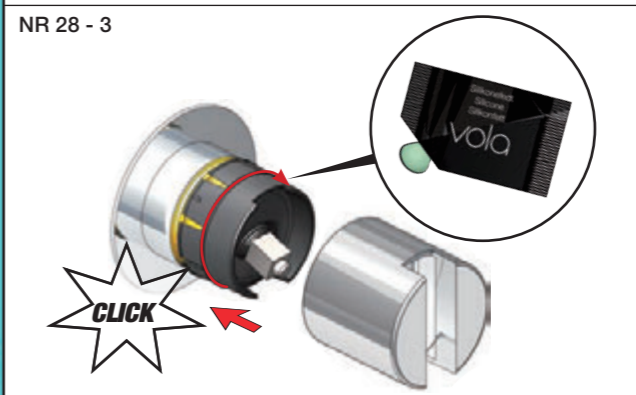
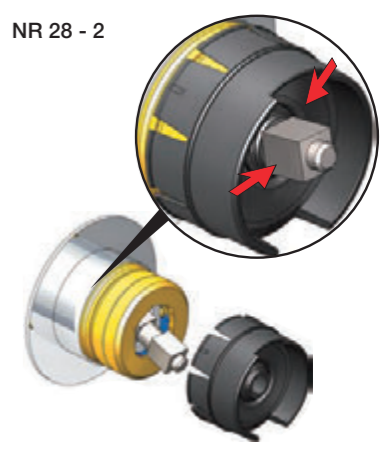
Handle assembly  
 Montage vom Griffe

Montage af greb  
 Montering av grepp

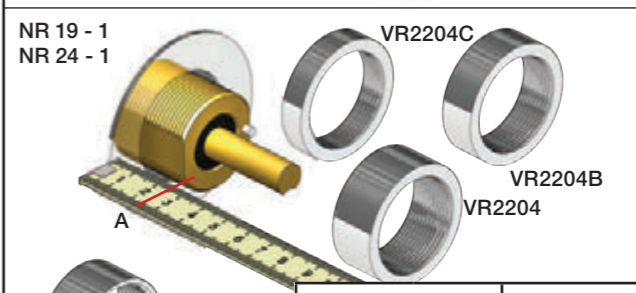
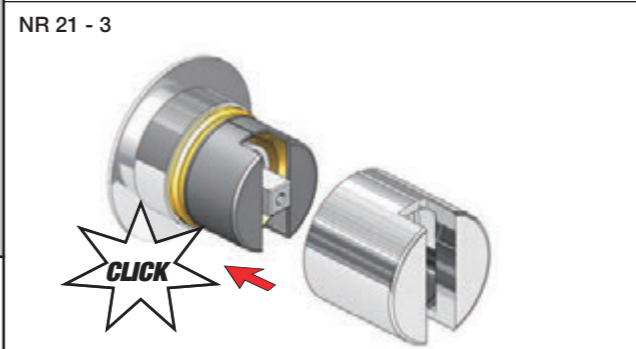
Installatie van de grip  
 l'installation de poignées



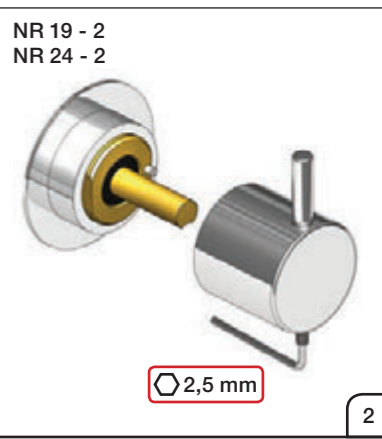
|         | A     |            |
|---------|-------|------------|
| VR3279  | 16 mm | 31 - 36 mm |
| VR3279B | 12 mm | 27 - 32 mm |
| VR3279C | 8 mm  | 23 - 28 mm |



|         | A     |            |
|---------|-------|------------|
| VR2279  | 16 mm | 30 - 34 mm |
| VR2279B | 12 mm | 26 - 30 mm |
| VR2279C | 8 mm  | 22 - 26 mm |



|         | A     |            |
|---------|-------|------------|
| VR2204  | 16 mm | 31 - 36 mm |
| VR2204B | 12 mm | 27 - 32 mm |
| VR2204C | 8 mm  | 23 - 28 mm |





VOLA 080, 080D, 080DK, 080K, 080W

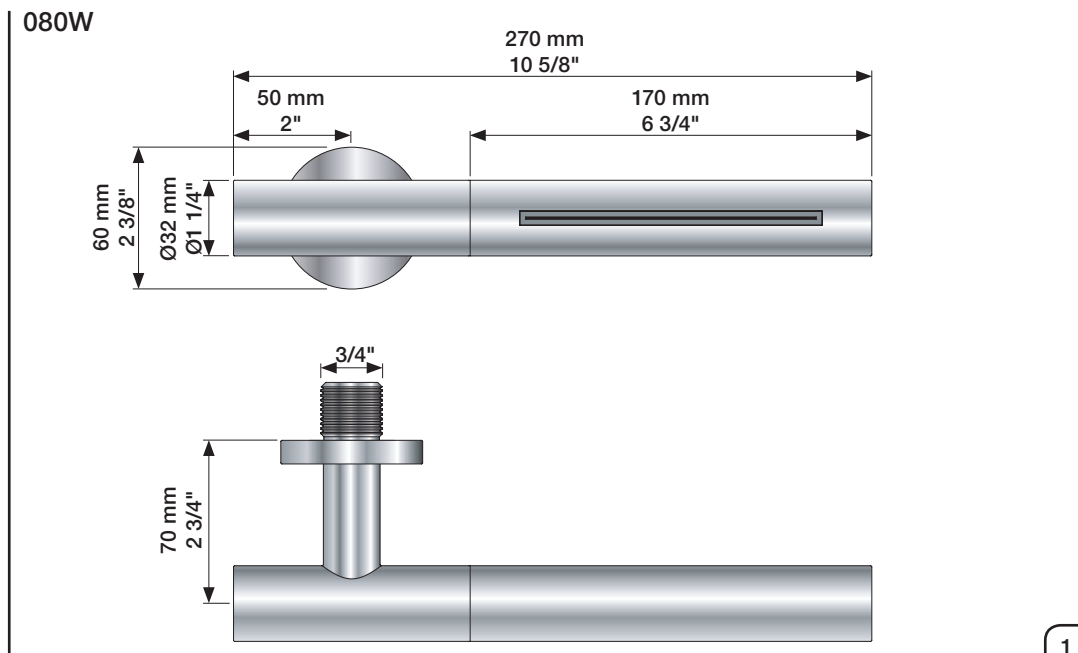
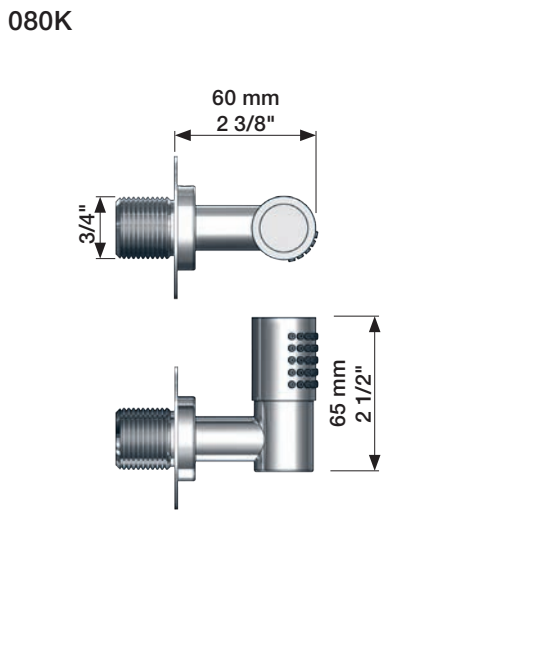
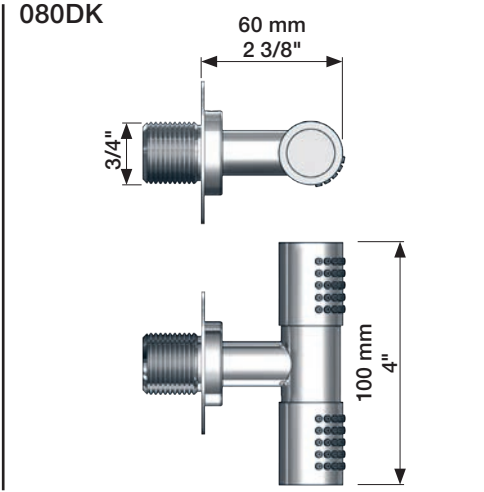
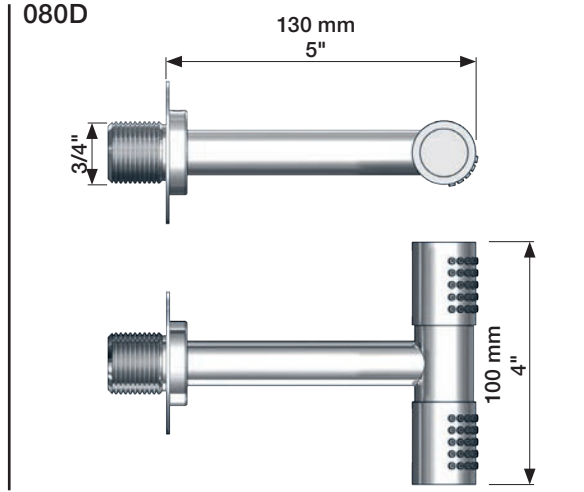
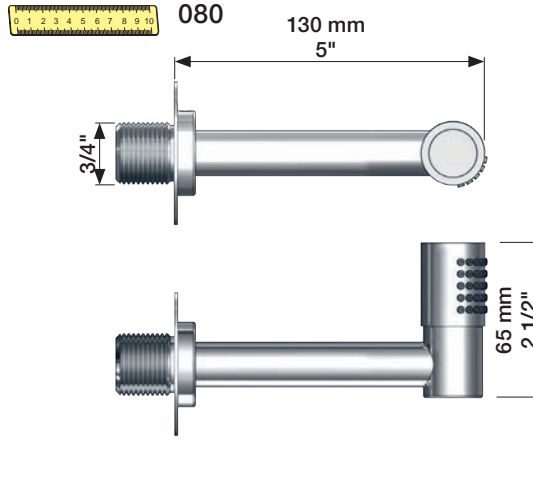
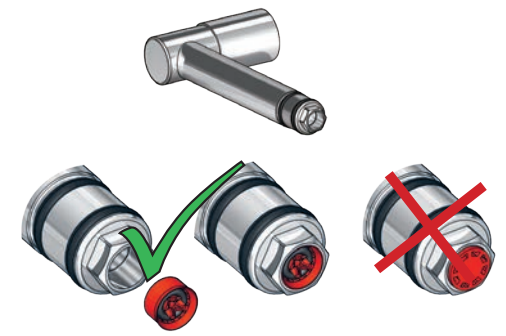
Fitting instruction  
 Montageanleitung  
 Monteringsvejledning  
 Monteringsvægledning  
 Montage hanledning  
 Manuel de montage

| Data                                                                              | Bar:             | 1   | 2   | 3   | 4   | 5   |
|-----------------------------------------------------------------------------------|------------------|-----|-----|-----|-----|-----|
| 081/081K                                                                          | (l/min)          | 8   | 12  | 14  | 17  | 19  |
|                                                                                   | (Gal/min)        | 2.1 | 3.2 | 3.7 | 4.5 | 5.0 |
| 081D                                                                              | (l/min)          | 14  | 20  | 25  | 29  | 32  |
|                                                                                   | (Gal/min)        | 3.7 | 5.3 | 6.6 | 7.7 | 8.5 |
| 080W                                                                              | (l/min)          | 23  | 33  | 40  | 46  | 52  |
|                                                                                   | (Gal/min)        | 6.1 | 8.6 | 11  | 12  | 14  |
|  | Max. 65°C. 150°F |     |     |     |     |     |

 **VR161:**  
 VR161K: 7 l/min - 1.8 Gal/min  
 VR161D: 9 l/min - 2.5 Gal/min  
 VR161F: 14 l/min - 3.7 Gal/min



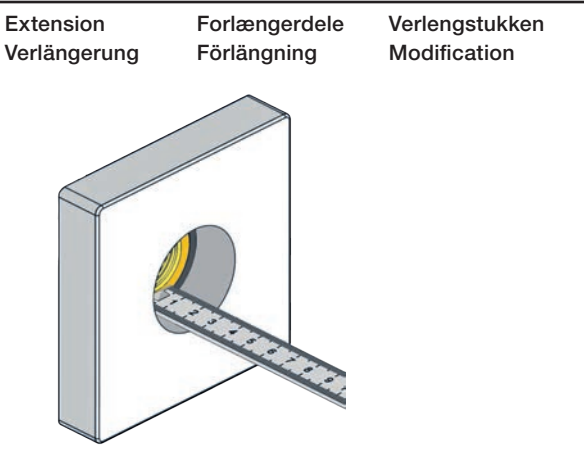
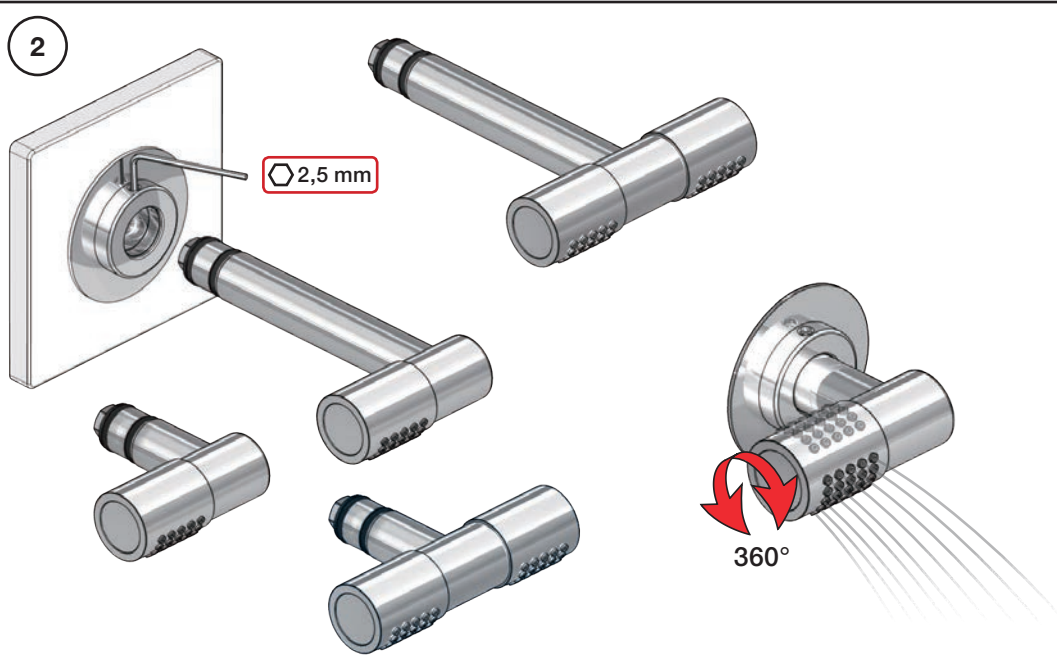
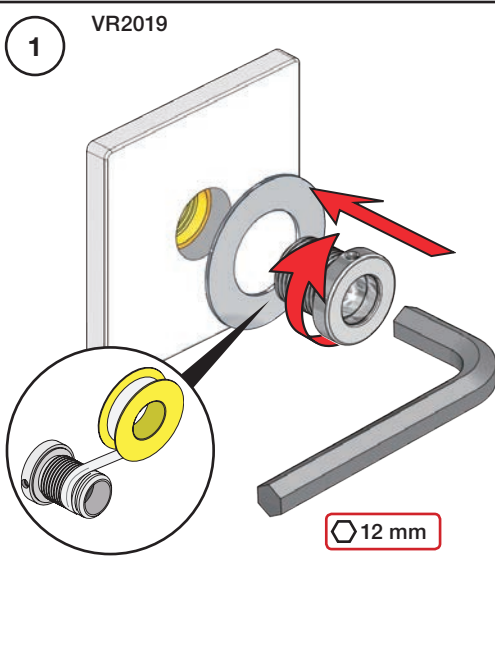
080W: Min. flow: 14 l/min - 3.7 Gal/min.





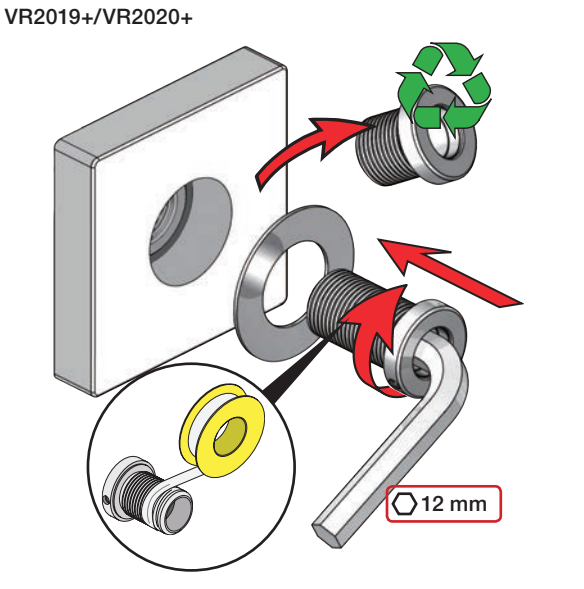
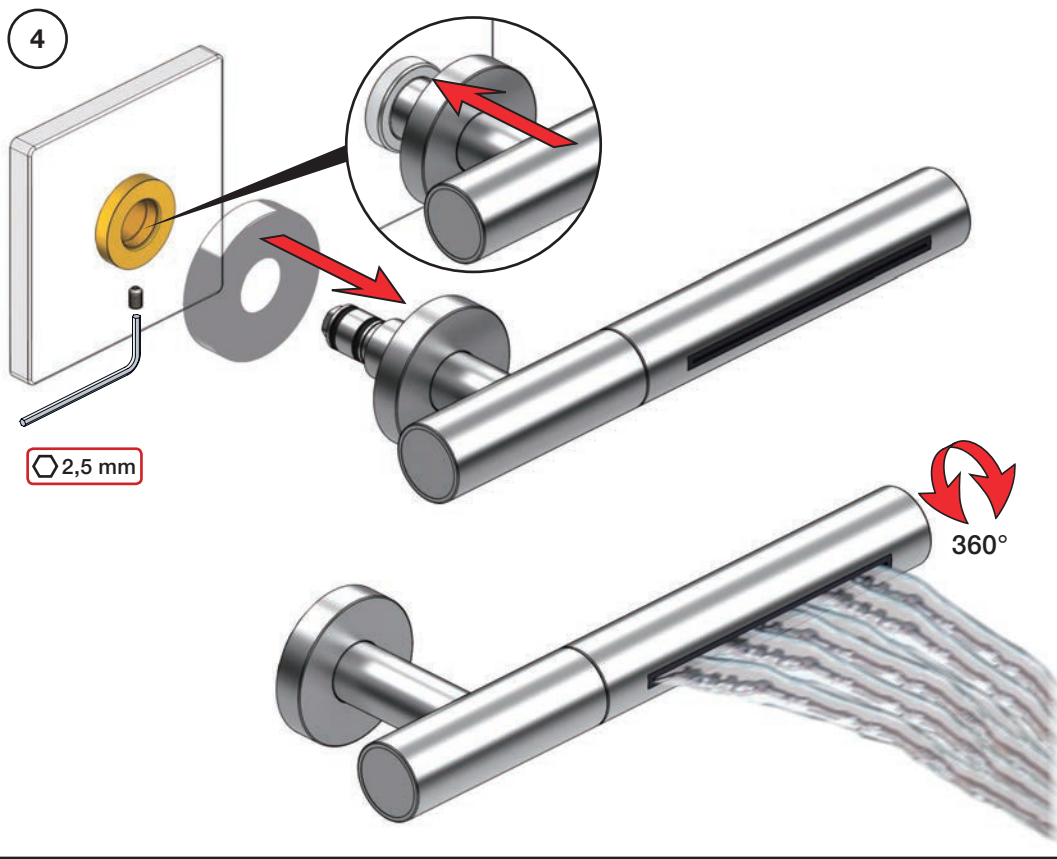
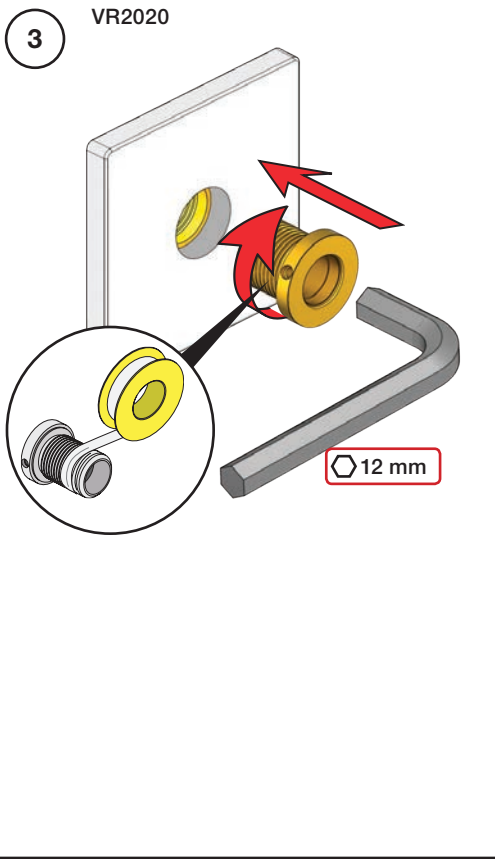
www.vola.com  
 mnt\_080\_V2\_40999483



vola



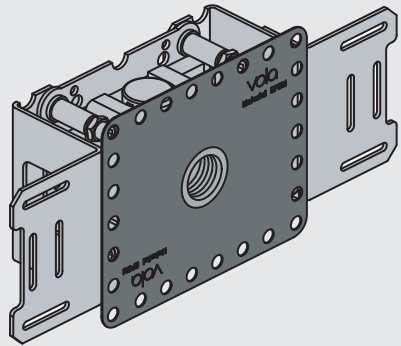
|           |            | VR2019:  | VR2020:  |
|-----------|------------|---------------------------------------------------------------------------------------------|---------------------------------------------------------------------------------------------|
|           | 3 - 15 mm  | Standard                                                                                    | Standard                                                                                    |
| Tiles:    | 15 - 25 mm | VR2019+10                                                                                   | VR2020+10                                                                                   |
| Fliesen:  | 25 - 35 mm | VR2019+20                                                                                   | VR2020+20                                                                                   |
| Fliser:   | 35 - 45 mm | VR2019+30                                                                                   | VR2020+30                                                                                   |
| Tegels:   | 45 - 55 mm | VR2019+40                                                                                   | VR2020+40                                                                                   |
| Carreaux: | 55 - 65 mm | VR2019+50                                                                                   | VR2020+50                                                                                   |



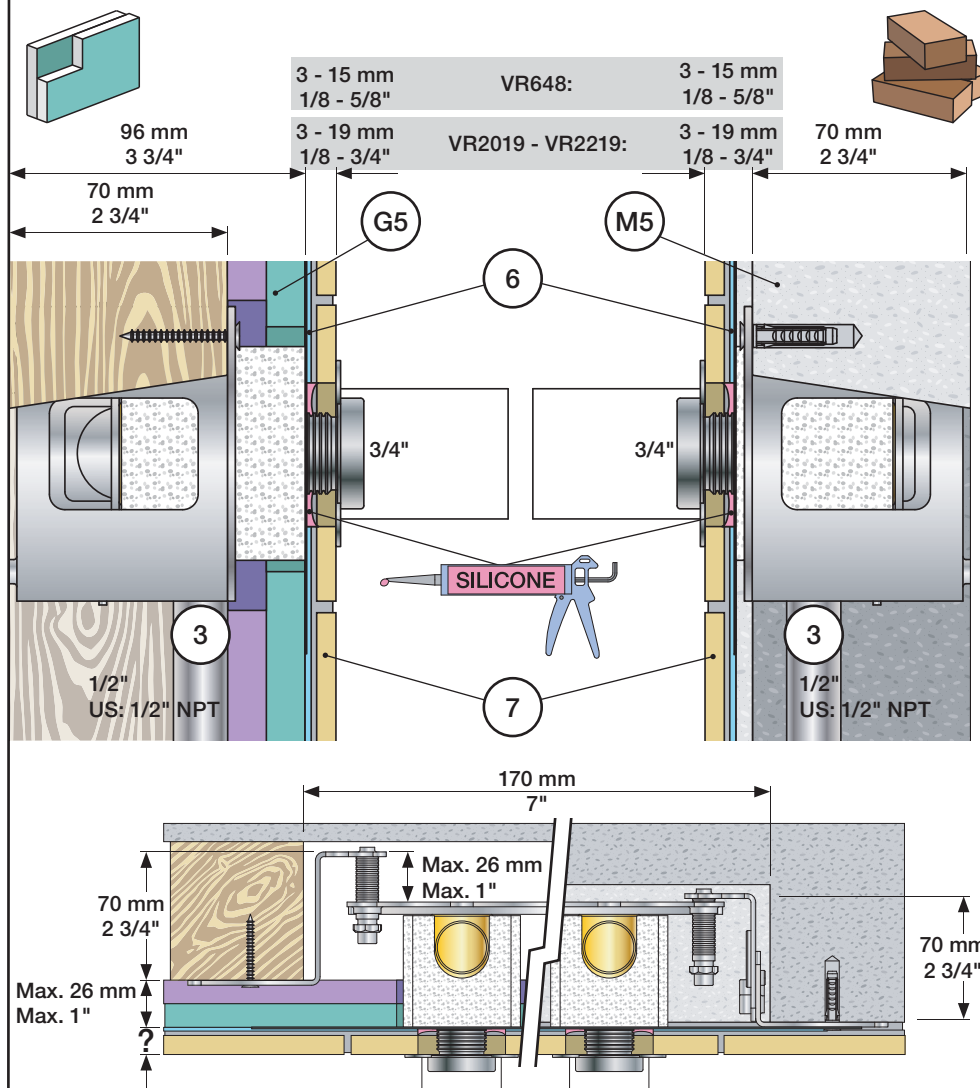


Fitting instruction  
Montageanleitung  
Monteringsvejledning

Monteringsvægledning  
Montage hanledning  
Manuel de montage



www.vola.com  
200M\_V00 40998991



Extension  
Verlängerung

Forlængerdele  
Förlängning

Verlengstukken  
Modification

VR2019: 010, 020, 030, 040/B, 050K,  
070/R/S/W, 080/K/D/DK

VR2020: 080W

VR2119: 010C, 020C, 040D

VR2219: 050, 050A, 060A

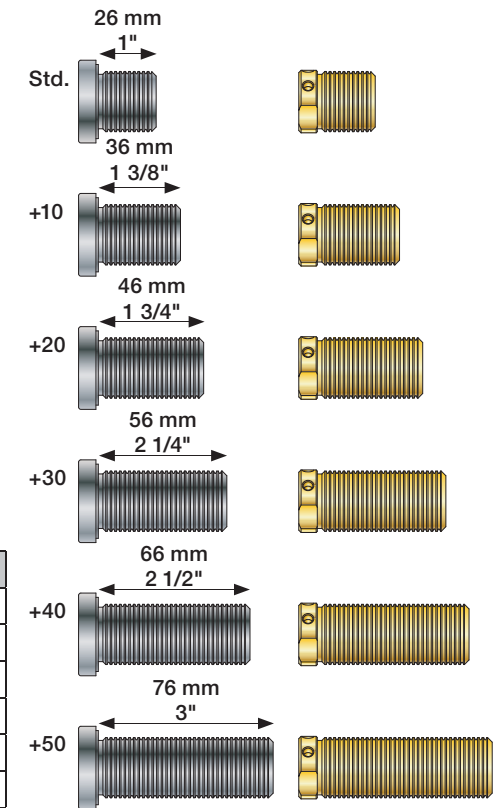
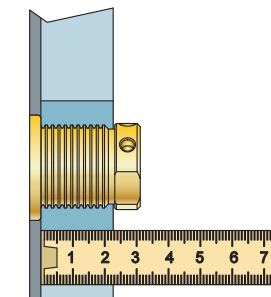
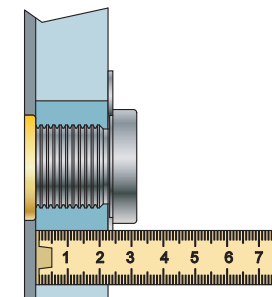
VR648: 060, 080ST

VR2019 -  
VR2219:

VR648:

VR2019, VR2119  
VR2020, VR2219

VR648



VR2019, VR2020, VR2119, VR2219

|           |            |      |
|-----------|------------|------|
|           | 3 - 15 mm  | Std. |
| Tiles:    | 15 - 25 mm | +10  |
| Fliesen:  | 25 - 35 mm | +20  |
| Tegels:   | 35 - 45 mm | +30  |
| Carreaux: | 45 - 55 mm | +40  |
|           | 55 - 65 mm | +50  |

VR648:

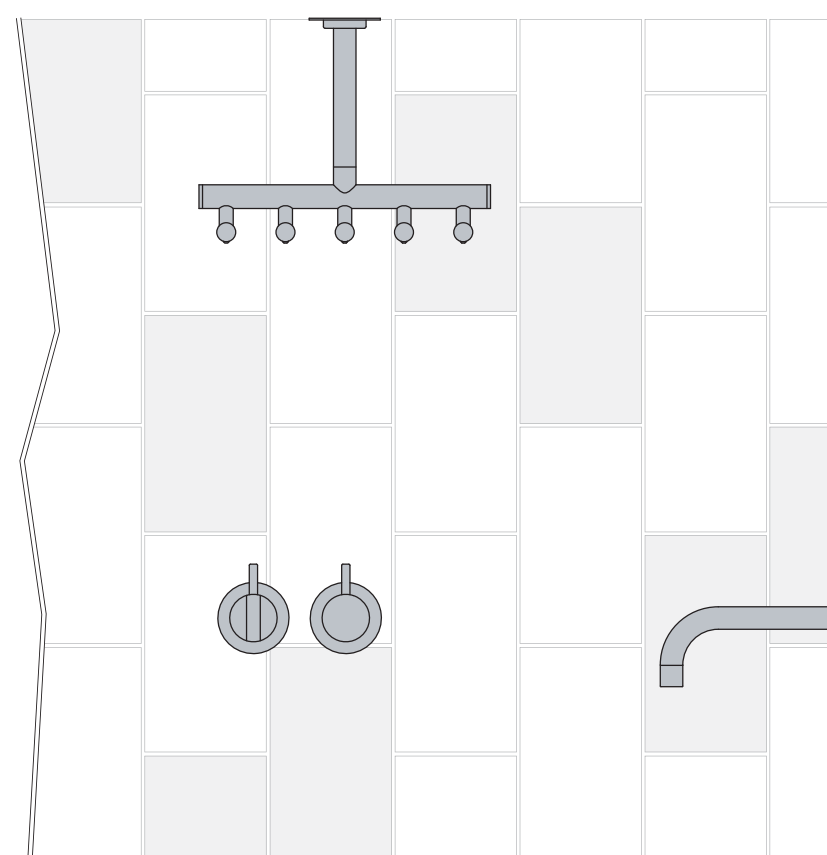
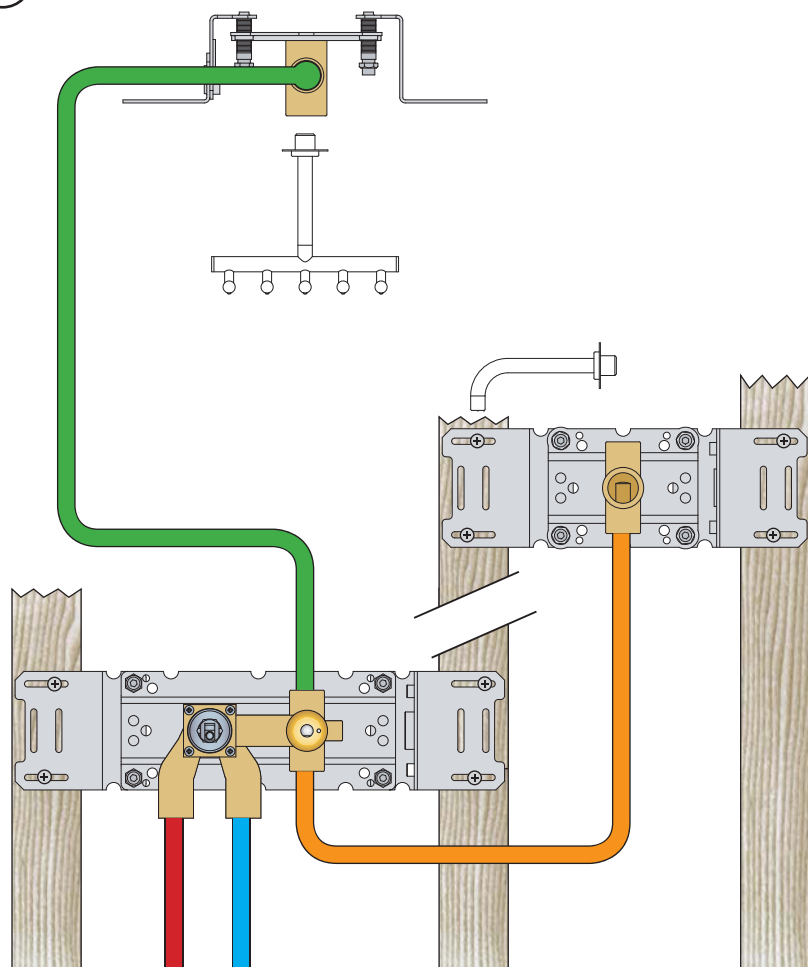
|           |            |      |
|-----------|------------|------|
|           | 3 - 19 mm  | Std. |
| Tiles:    | 17 - 28 mm | +10  |
| Fliesen:  | 27 - 38 mm | +20  |
| Fliser:   | 37 - 48 mm | +30  |
| Tegels:   | 47 - 58 mm | +40  |
| Carreaux: | 57 - 68 mm | +50  |

00

Installation example  
Installationsbeispiel

Installationseksempel  
Installationsexemplar

Installatie voorbeeld  
l'installation des exemple

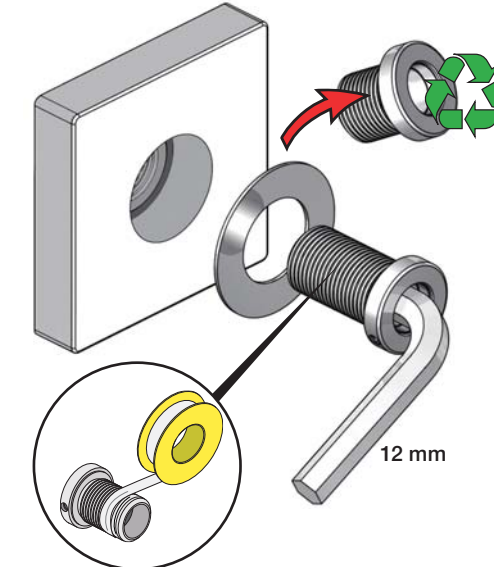


Fitting of extension  
Montage von verlängerung

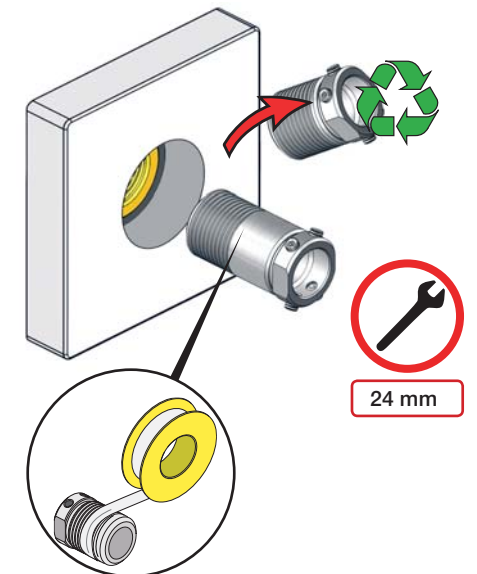
Montering af forlængerdele  
Montering av förlängning

Montage van de verlengstukken  
Montage des rallonges

VR2019+, VR2119+  
VR2020+, VR2219+



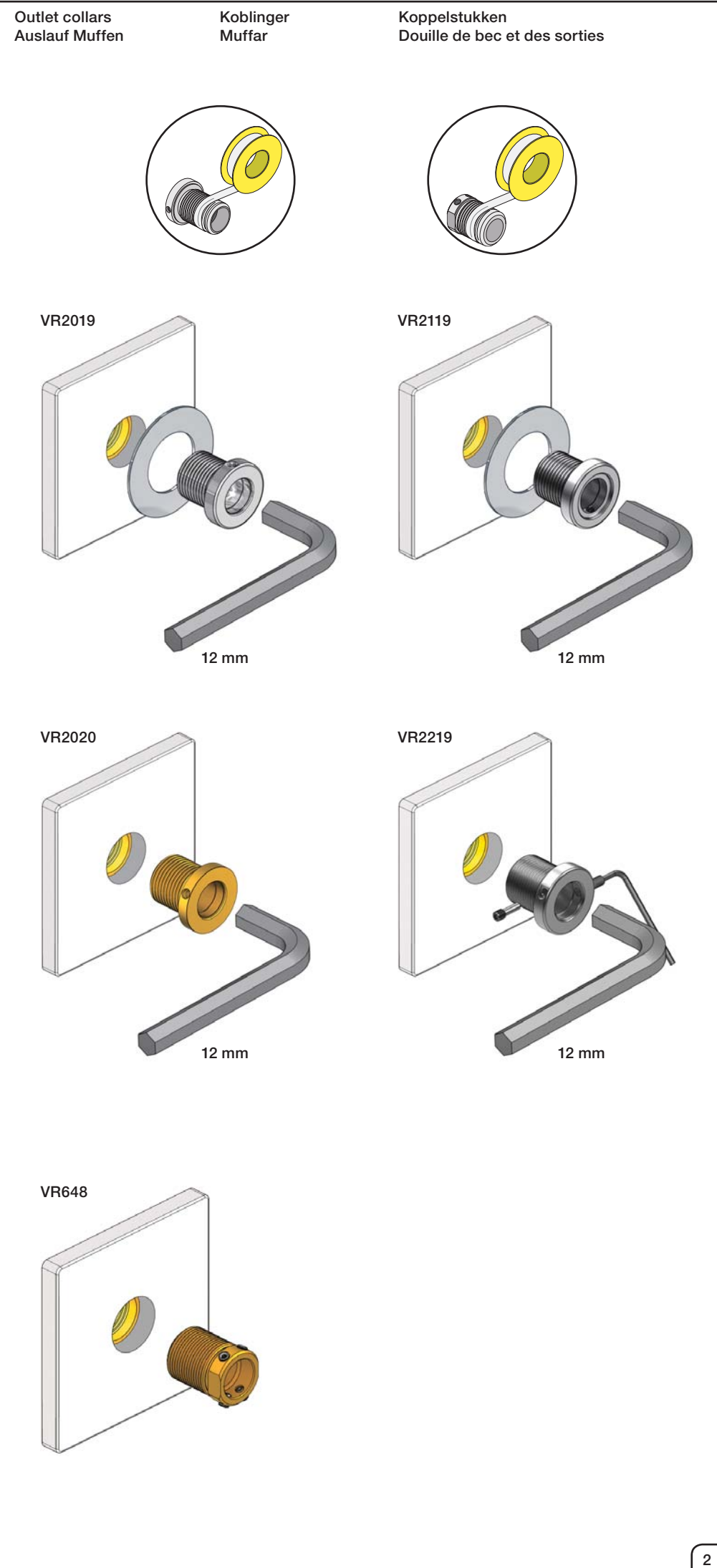
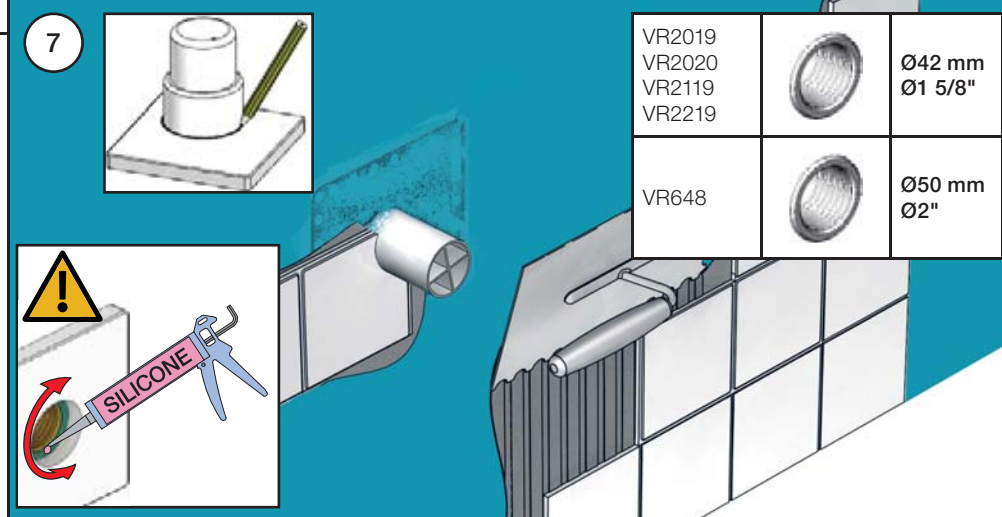
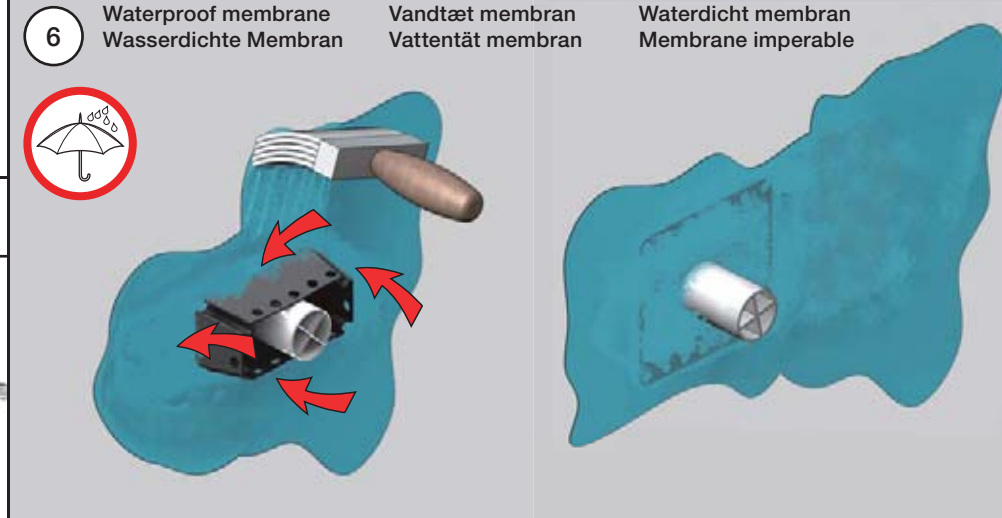
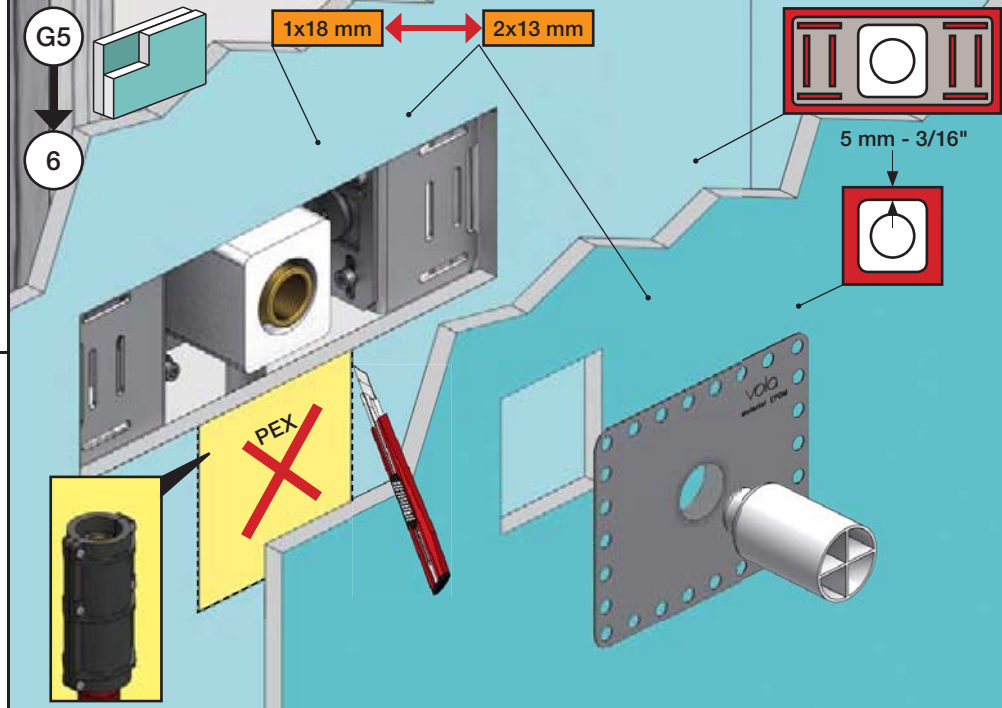
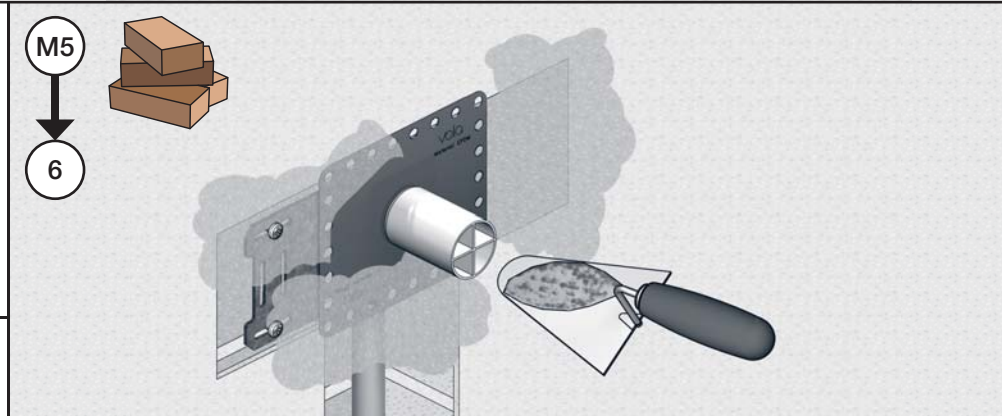
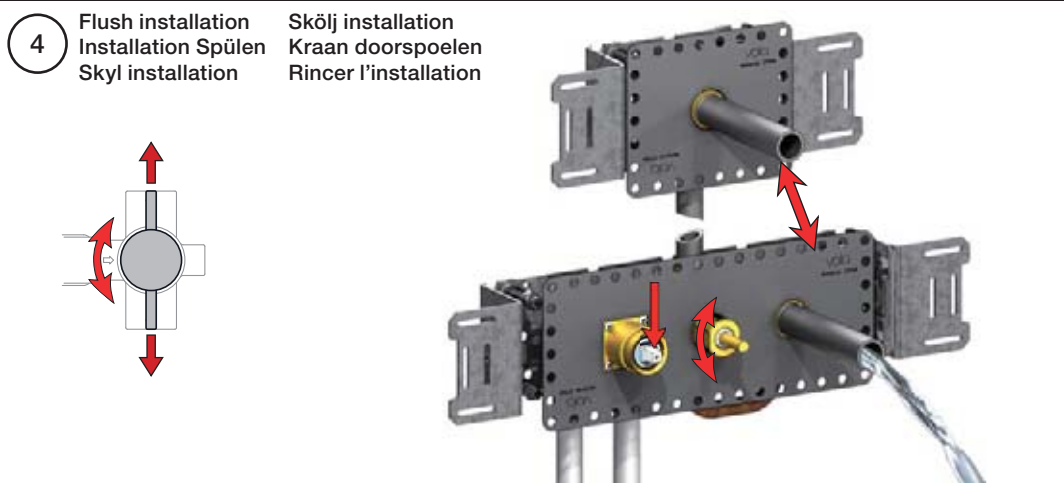
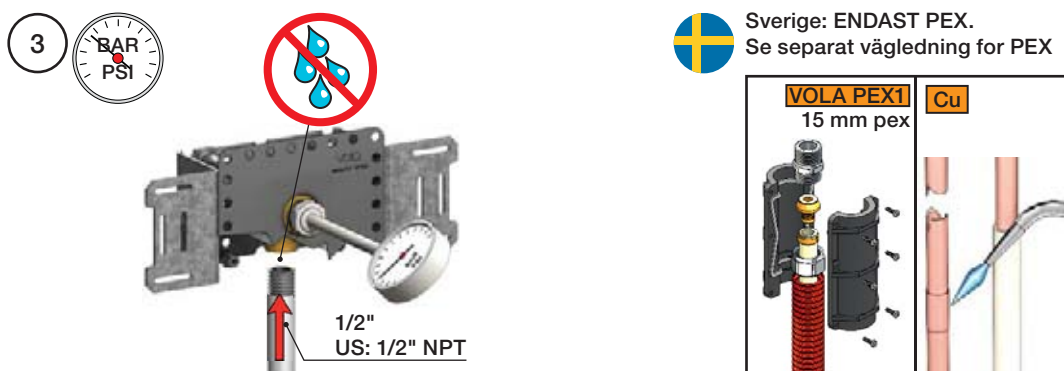
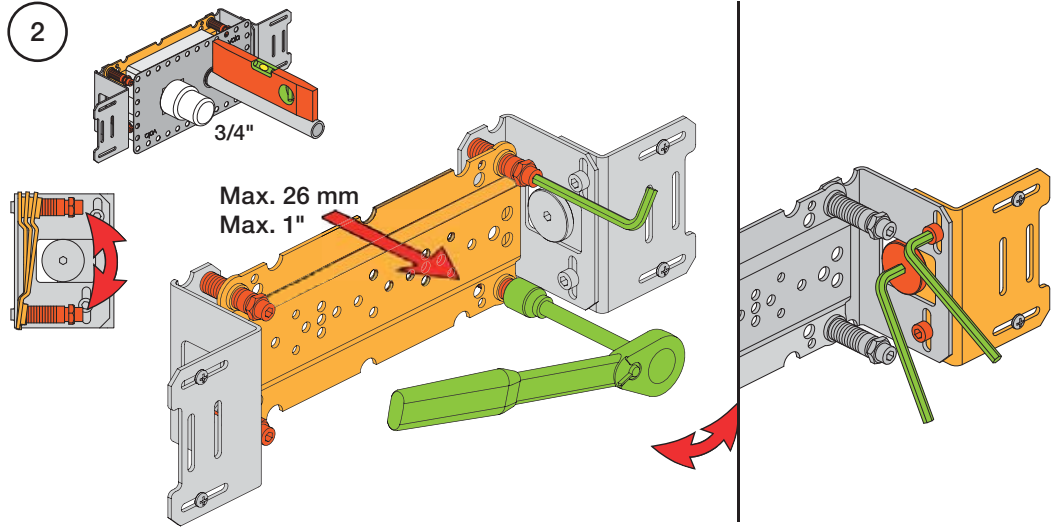
VR648+



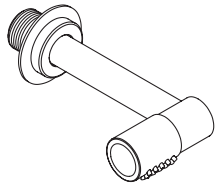


1 Check the local legislation.  
 Bitte die örtlichen Vorschriften überprüfen.  
 Tjek de lokale regler.  
 Kontrollera lokala föreskrifter  
 Nazitten lokale regelgeving.  
 Vérifiez la législation locale.

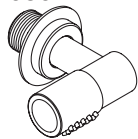
1A   
 Box till inbyggnadsblandare.  
 Boks til indbygningsblander.  
 Laatikko seinäasenteiselle sekoittajalle.



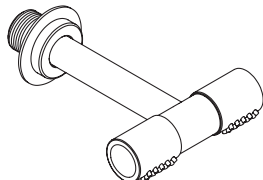
080



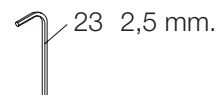
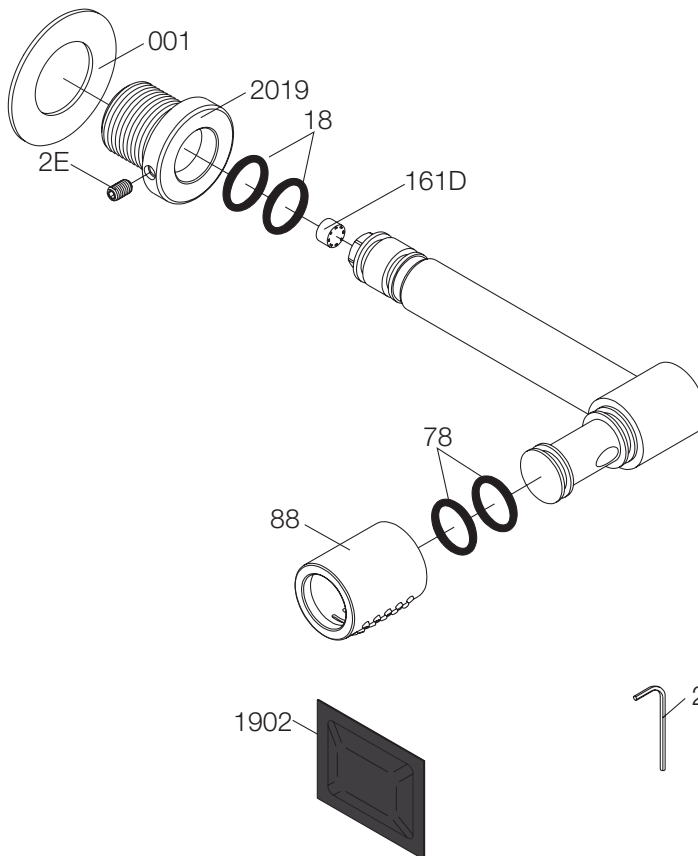
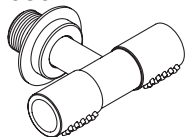
080K



080D



080DK



vola

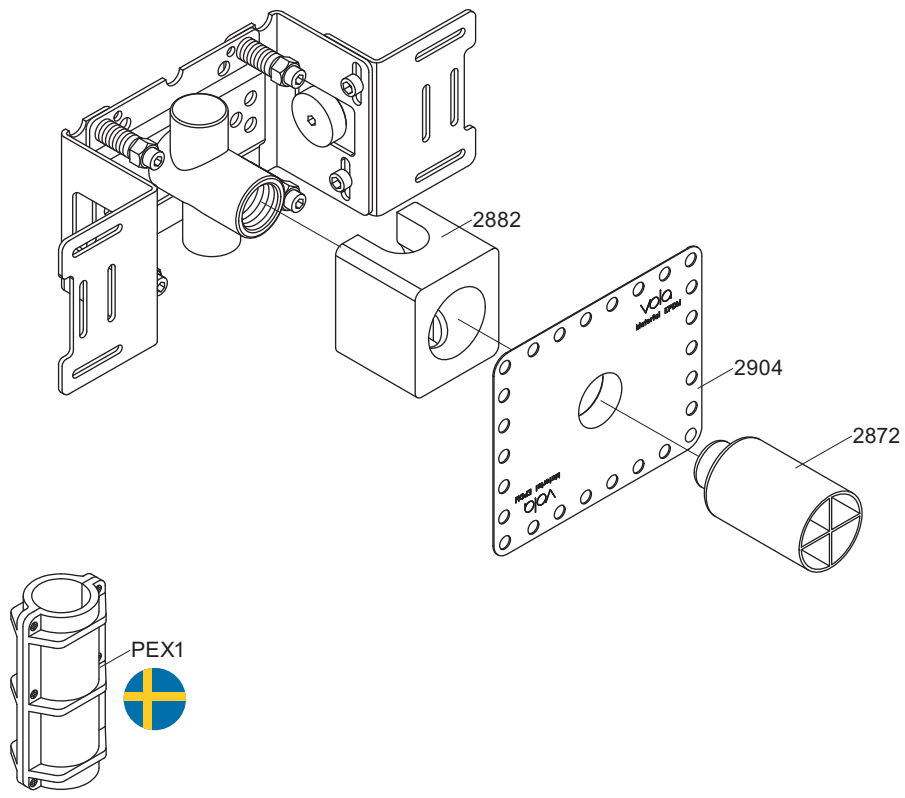
Lunavej 2  
DK-8700 Horsens  
Tlf : + 45 7023 5500  
Fax: + 45 7023 5511  
sales@vola.com  
www.vola.com

**VOLA 080, 080K**  
**VOLA 080D, 080DK**

Date  
Feb. 13

Rev.  
2

Sheet  
SB 17.3



**vola**  
 Lunavej 2  
 DK-8700 Horsens  
 Tlf : + 45 7023 5500  
 Fax: + 45 7023 5511  
 sales@vola.com  
 www.vola.com

# VOLA 200M

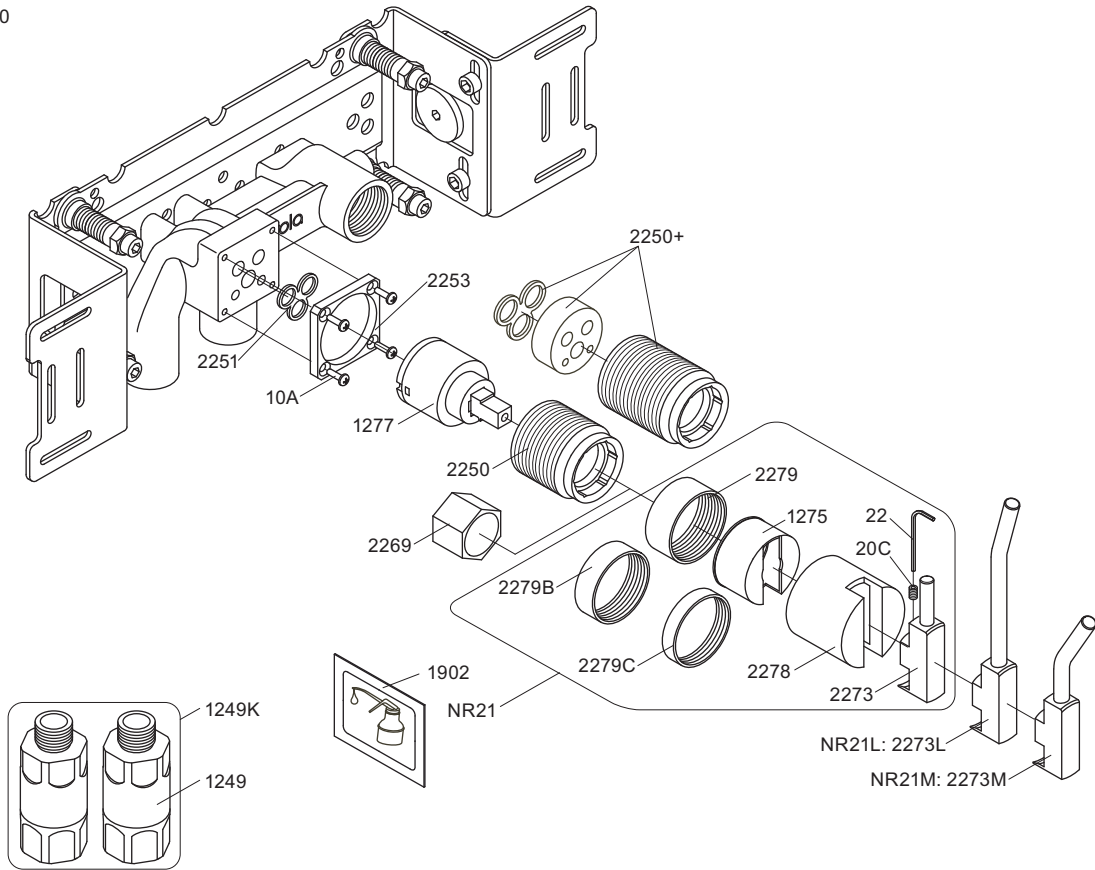
Date  
Jan. 10

Rev.  
2

Sheet  
SB 2.3

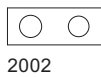
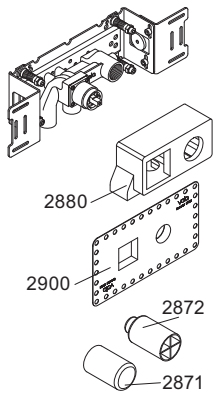


2100

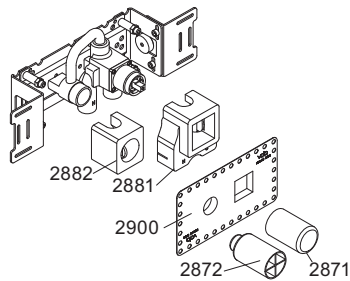


NR21: VR020C, VR22, VR1275, VR2269, VR2273, VR2278, VR2279, VR2279B, VR2279C  
 VR1277K: VR22, VR1277, VR2269

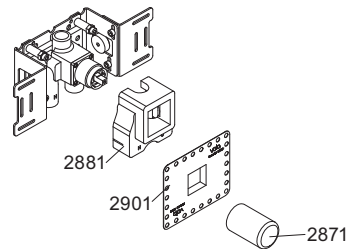
2100



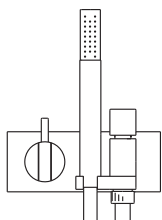
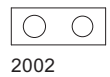
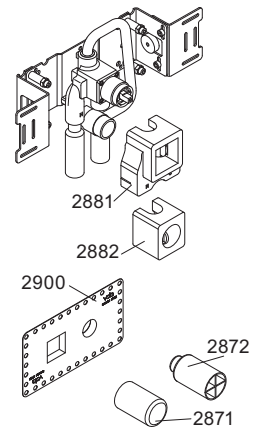
2100X



2200V



2300



**VOLA A/S**  
 Lunavej 2  
 DK-8700 Horsens  
 Tlf : + 45 7023 5500  
 Fax: + 45 7023 5511  
 sales@vola.com  
 www.vola.com

**VOLA 2100**  
 2100X, 2200V, 2300

Dato

Feb. 10

Rev.

1

Blad

SB 10.7