

Date:

Client:

Project:

VOLA product: 2281



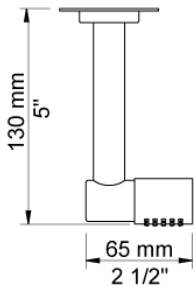
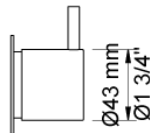
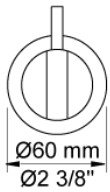
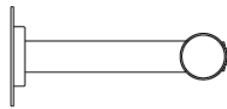
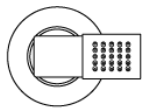
**2281**

One-handle build-in mixer with ceramic disc technology. 2281UP = Mixer 2200. 2281AP = Handle NR21, 115 mm head shower 080, 60 mm circular flanges 2001.

**Flow**

	Bar:	1.0	2.0	3.0	4.0	5.0
2281 <sup>1)</sup>	(l/min)	6.9	9.8	12.0	13.9	15.5

<sup>1)</sup> USA: Flow restricted to 1.8 gpm (7.0 l/min)



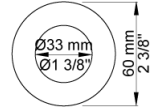
**Available in colors**

- Color 02, Grey
- Color 04, Light blue
- Color 05, Orange
- Color 06, Light green
- Color 08, Yellow
- Color 09, Dark grey
- Color 12, Mocca
- Color 14, Bright red
- Color 15, Dark blue
- Color 16, Polished chrome
- Color 17, Gloss black
- Color 18, White
- Color 19, Natural brass
- Color 20, Brushed chrome
- Color 21, Carmine red
- Color 25, Pink
- Color 27, Matt black
- Color 40, Brushed stainless steel

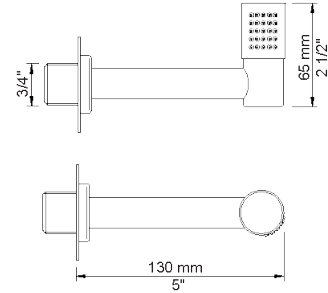
Date:

Client:

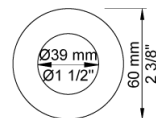
Project:



**001**  
60 mm circular flange. Hole Ø33 mm.



**080**  
130 mm head shower. 60 mm cover flange included.

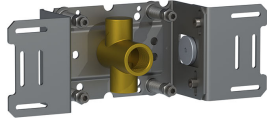


**2001**  
60 mm circular flange. Hole Ø39 mm.

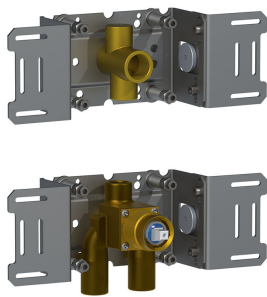
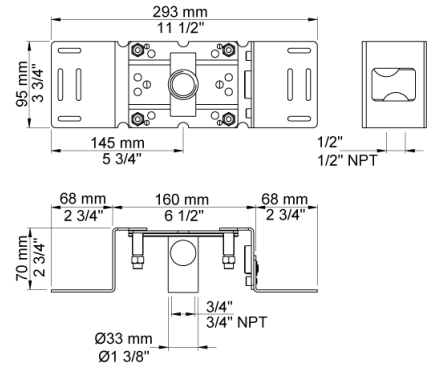
Date:

Client:

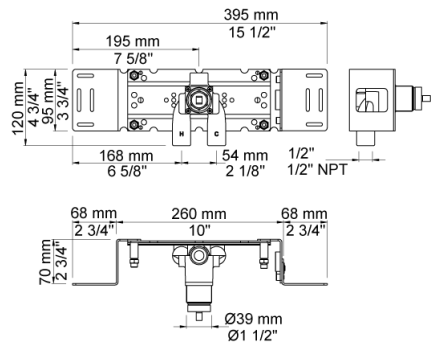
Project:



**200M**  
Separate outlet socket. 1/2" connection to copper, steel, iron or pex pipe work.



**2200**  
One-handle build-in mixer for high flow, including separate outlet socket, 200M. 1/2" connection to copper, steel, iron or pex pipe Work.



**NR21**  
Operating handle for 2100, 2200, 2300, 2400 incl. variants. Ø43 mm.

