

Date:

Client:

Project:

VOLA product: 671S



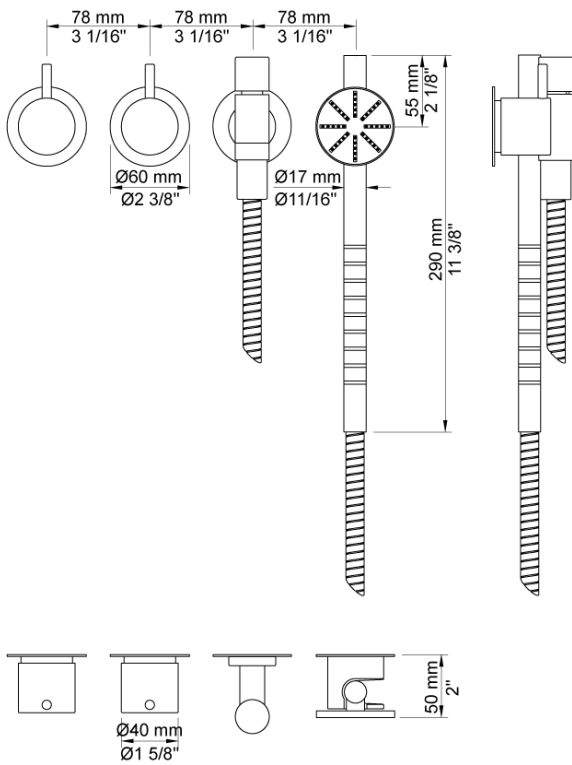
671S

Two-handle build-in mixer with ¼ turn ceramic disc technology. 671SUP = Mixer 600. 671SAP = 2 pcs. handles NR17, hand shower and hand shower holder with non-return valve 070S, hose 1500 mm, 4 pcs. 60 mm circular flanges 001.

Flow

	Bar:	1.0	2.0	3.0	4.0	5.0
070S ¹⁾	(l/min)	6.9	9.8	12.0	13.9	15.5

¹⁾ USA: Flow restricted to 2.0 gpm (7.6 l/min)



Available in colors

- Color 16, Polished chrome
- Color 19, Natural brass
- Color 20, Brushed chrome
- Color 40, Brushed stainless steel

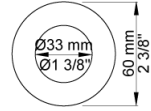
Date:

Client:

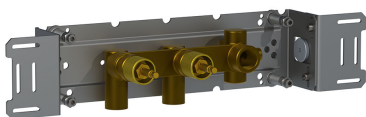
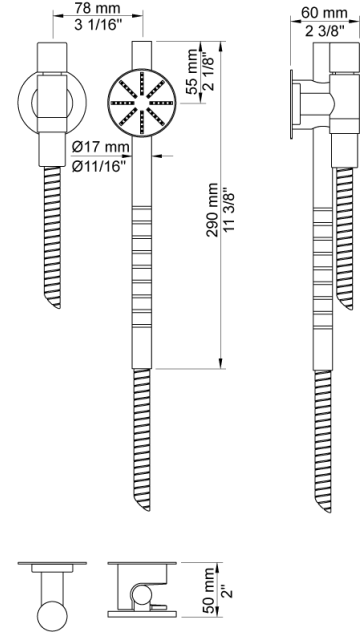
Project:



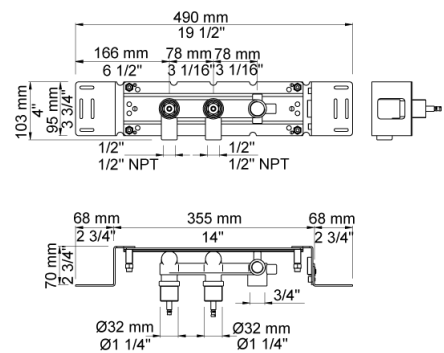
001
60 mm circular flange. Hole Ø33 mm.



070S
Hand shower, hand shower holder and hose with non-return valve.



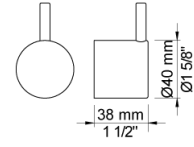
600
Two-handle build-in mixer, with fixed outlet socket. 1/2" connection to copper, steel, iron or pex pipe work.



Date:

Client:

Project:



NR17

Operating handle for 600, 700, 800, 900, 1500, 2800, 2900, S20, S21, S40, S42 incl. variants. Ø40 mm.