

Date:

Client:

Project:

VOLA product: 5171S



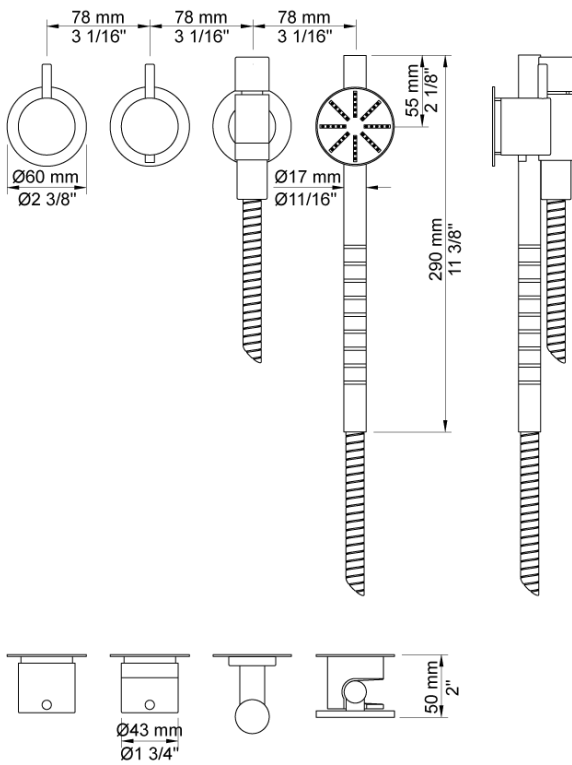
5171S

¾" thermostatic mixer. 5171SUP = Thermostatic mixer 5100. 5171SAP = Handle NR51, handle NR52, hand shower and hand shower holder with non-return valve 070S, hose 1500 mm, 2 pcs. 60 mm circular flange 001, 2 pcs. 2001.

Flow

	Bar:	1.0	2.0	3.0	4.0	5.0
5171S ¹⁾	(l/min)	6.9	9.8	12.0	13.9	15.5

¹⁾ USA: Flow restricted to 2 gpm (7.6 l/min)



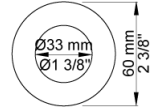
Available in colors

- Color 02, Grey
- Color 04, Light blue
- Color 05, Orange
- Color 06, Light green
- Color 08, Yellow
- Color 09, Dark grey
- Color 12, Mocca
- Color 14, Bright red
- Color 15, Dark blue
- Color 16, Polished chrome
- Color 17, Gloss black
- Color 18, White
- Color 19, Natural brass
- Color 20, Brushed chrome
- Color 21, Carmine red
- Color 25, Pink
- Color 27, Matt black
- Color 40, Brushed stainless steel

Date:

Client:

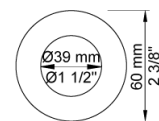
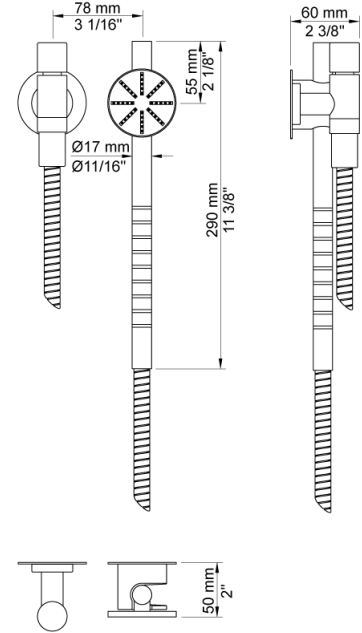
Project:



001
60 mm circular flange. Hole Ø33 mm.



070S
Hand shower, hand shower holder and hose with non-return valve.

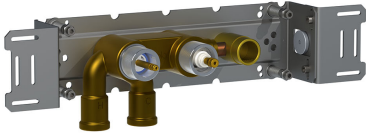


2001
60 mm circular flange. Hole Ø39 mm.

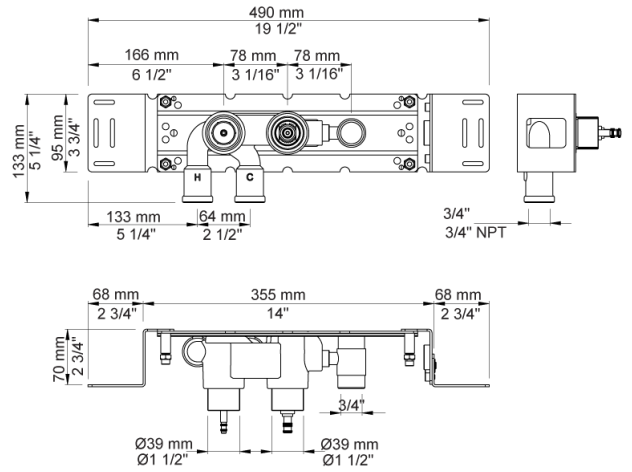
Date:

Client:

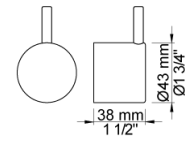
Project:



5100
Thermostatic mixer with fixed outlet socket. 3/4" connection to copper, steel, iron or pex pipe work.



NR51
On/off handle for 5000 and 6000.



NR52
Thermostatic handle for serie 5000.

