

Date:

Client:

Project:

VOLA product: 5474R-061A

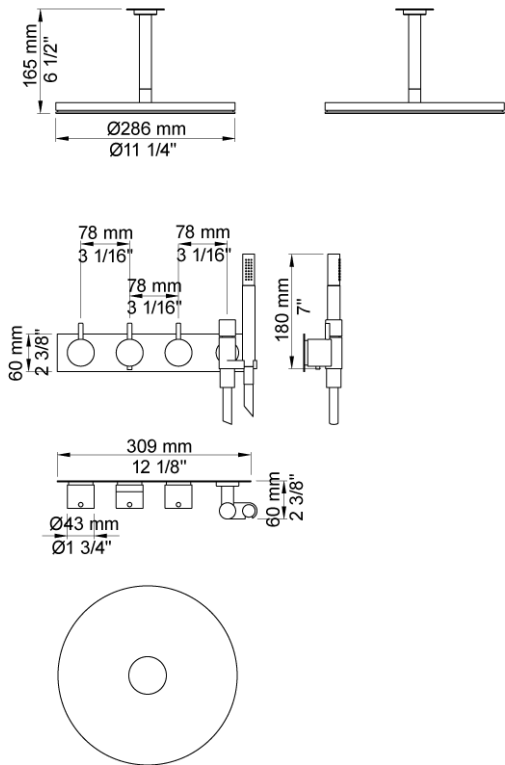


5474R-061A

¾" thermostatic mixer. 5474R-061AUP = Thermostatic mixer 5400NV, 200M. 5474R-061AAP = Handle NR51, handle NR52, handle NR64G, hand shower and hand shower holder with non-return valve 070R, hose 1500 mm, ceiling mounted head shower 060A, four-hole plate 60 x 309 mm 5004B, 60 mm circular flange 001.

Flow

	Bar:	1.0	2.0	3.0	4.0	5.0
070R	(l/min)	5.2	7.4	9.0	9.0	9.0
060A	(l/min)	12.7	18.0	22.0	25.4	28.4



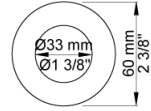
Available in colors

- Color 02, Grey
- Color 04, Light blue
- Color 05, Orange
- Color 06, Light green
- Color 08, Yellow
- Color 09, Dark grey
- Color 12, Mocca
- Color 14, Bright red
- Color 15, Dark blue
- Color 16, Polished chrome
- Color 17, Gloss black
- Color 18, White
- Color 19, Natural brass
- Color 20, Brushed chrome
- Color 21, Carmine red
- Color 25, Pink
- Color 27, Matt black
- Color 40, Brushed stainless steel

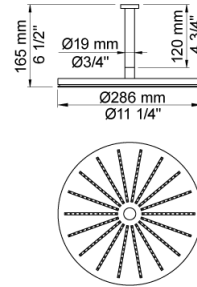
Date:

Client:

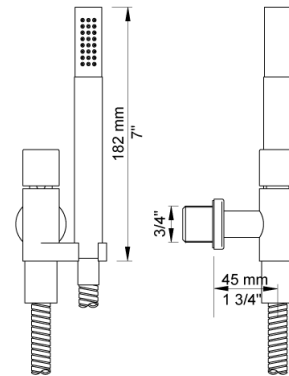
Project:



001
60 mm circular flange. Hole Ø33 mm.



060A
Head shower, round, ceiling-mounted. 60 mm cover flange included.

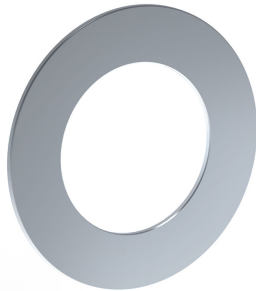


070R
Hand shower, hand shower with holder to the right and hose with non-return valve.

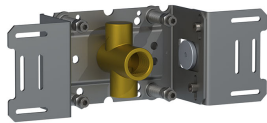
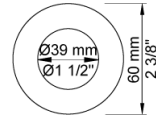
Date:

Client:

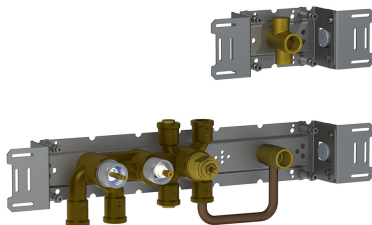
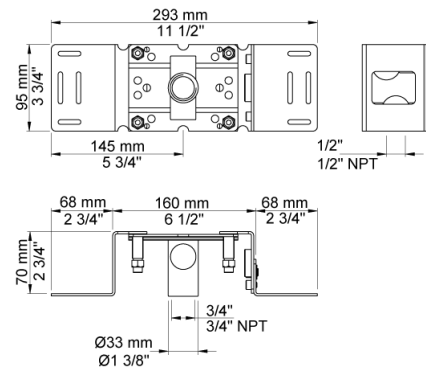
Project:



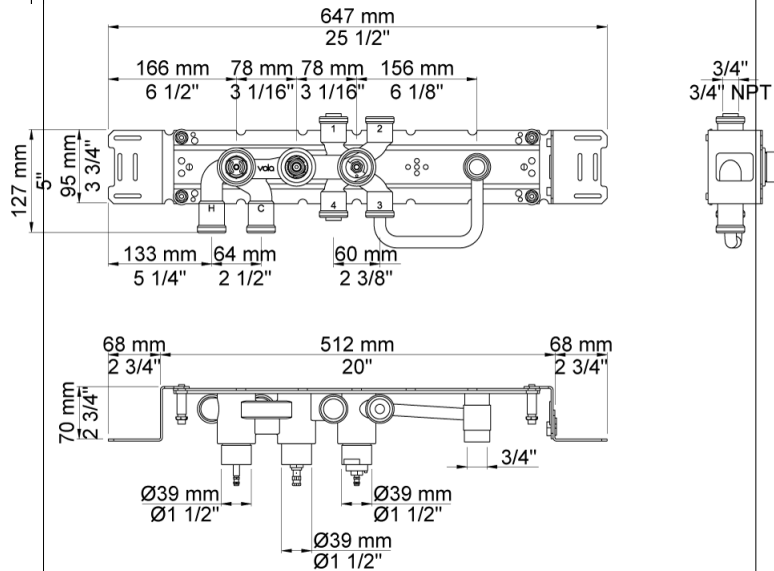
2001
60 mm circular flange. Hole Ø39 mm.



200M
Separate outlet socket. 1/2" connection to copper, steel, iron or pex pipe work.



5400F
Thermostatic mixer with diverter, fixed outlet socket and one separate outlet socket, 200M. 3/4" connection to copper, steel, iron or pex pipe work.



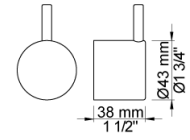
Date:

Client:

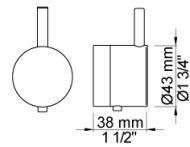
Project:



NR51
On/off handle for 5000 and 6000.



NR52
Thermostatic handle for serie 5000.



NR64G
Diverter handle for 5400/5600. With peg in the same colour as handle (Standard).

