

Date:

Client:

Project:

VOLA product: 5174S



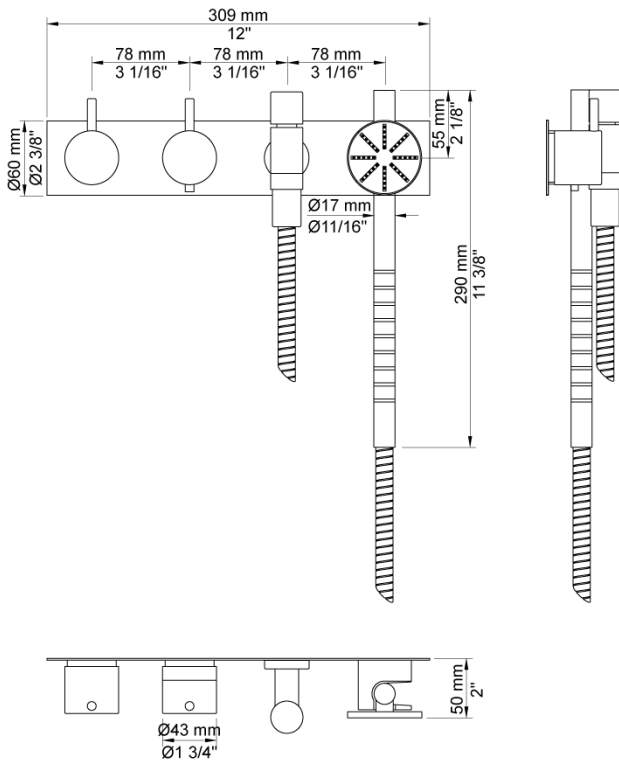
**5174S**

¾" thermostatic mixer. 5174SUP = Thermostatic mixer 5100. 5174SAP = Handle NR51, handle NR52, hand shower and hand shower holder with non-return valve 070S, hose 1500 mm, four-hole plate 5004.

**Flow**

	Bar:	1.0	2.0	3.0	4.0	5.0
5174S <sup>1)</sup>	(l/min)	6.9	9.8	12.0	13.9	15.5

<sup>1)</sup> USA: Flow restricted to 2 gpm (7.6 l/min)



**Available in colors**

- Color 02, Grey
- Color 04, Light blue
- Color 05, Orange
- Color 06, Light green
- Color 08, Yellow
- Color 09, Dark grey
- Color 12, Mocca
- Color 14, Bright red
- Color 15, Dark blue
- Color 16, Polished chrome
- Color 17, Gloss black
- Color 18, White
- Color 19, Natural brass
- Color 20, Brushed chrome
- Color 21, Carmine red
- Color 25, Pink
- Color 27, Matt black
- Color 40, Brushed stainless steel

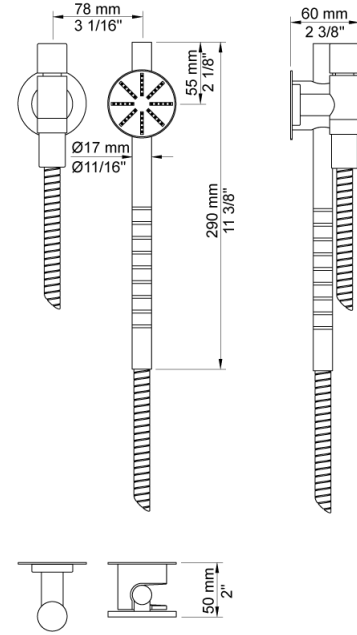
Date:

Client:

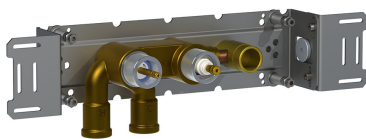
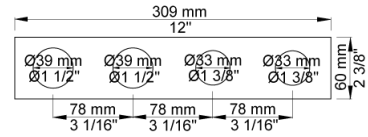
Project:



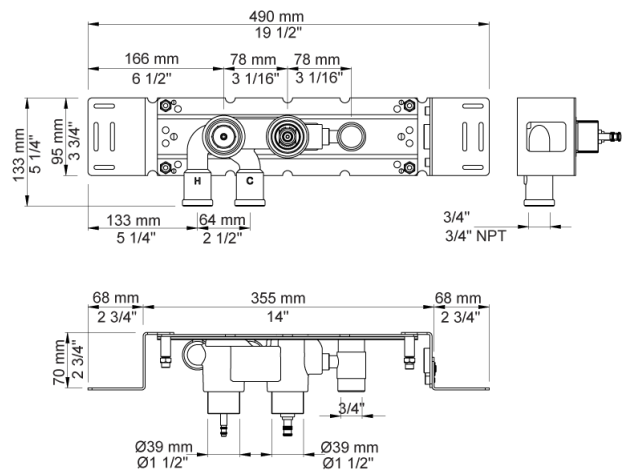
**070S**  
Hand shower, hand shower holder and hose with non-return valve.



**5004**  
Four-hole plate (for 5100 and 5200 w. T4). 60 x 309 mm. Holes Ø39, Ø39, Ø33 and Ø33 mm.



**5100**  
Thermostatic mixer with fixed outlet socket. 3/4" connection to copper, steel, iron or pex pipe work.



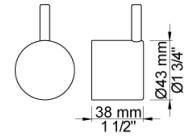
Date:

Client:

Project:



**NR51**  
On/off handle for 5000 and 6000.



**NR52**  
Thermostatic handle for serie 5000.

