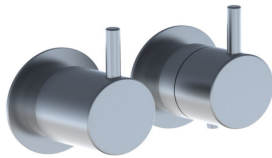
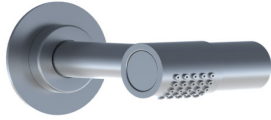


Date:

Client:

Project:

VOLA product: 5281



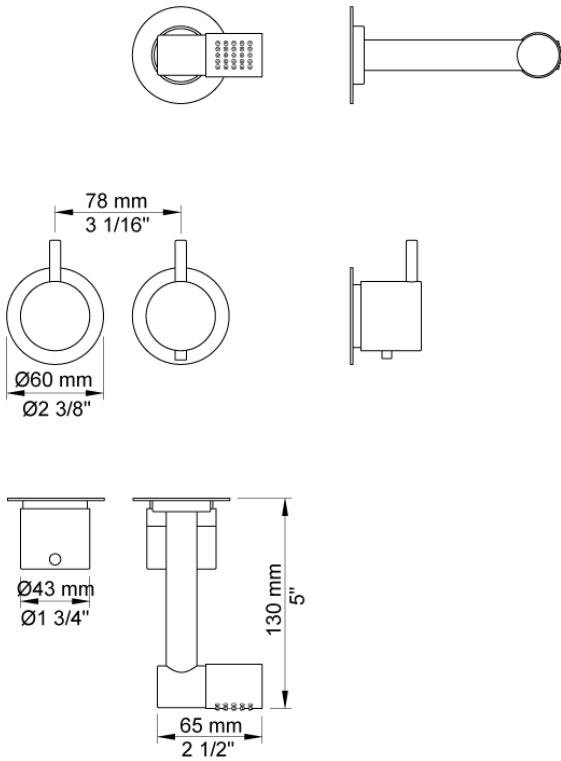
**5281**

¾" thermostatic mixer. 5281UP = Thermostatic mixer 5200V, 200M. 5281AP = Handle NR51, handle NR52, 115 mm head shower 080, 2 pcs. 60 mm circular flanges 2001, 60 mm circular flange 001.

**Flow**

	Bar:	1.0	2.0	3.0	4.0	5.0
080 <sup>1)</sup>	(l/min)	8.1	11.4	14.0	16.2	18.1

<sup>1)</sup> USA: Flow restricted to 1.8 gpm (7.0 l/min)



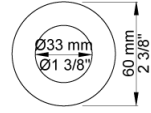
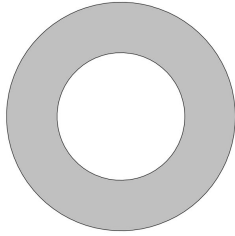
**Available in colors**

- Color 02, Grey
- Color 04, Light blue
- Color 05, Orange
- Color 06, Light green
- Color 08, Yellow
- Color 09, Dark grey
- Color 12, Mocca
- Color 14, Bright red
- Color 15, Dark blue
- Color 16, Polished chrome
- Color 17, Gloss black
- Color 18, White
- Color 19, Natural brass
- Color 20, Brushed chrome
- Color 21, Carmine red
- Color 25, Pink
- Color 27, Matt black
- Color 40, Brushed stainless steel

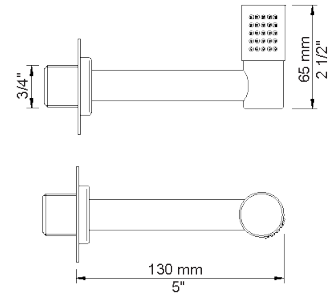
Date:

Client:

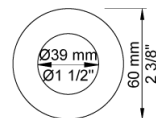
Project:



**001**  
60 mm circular flange. Hole Ø33 mm.



**080**  
130 mm head shower. 60 mm cover flange included.

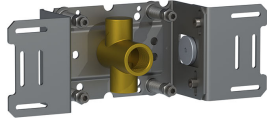


**2001**  
60 mm circular flange. Hole Ø39 mm.

Date:

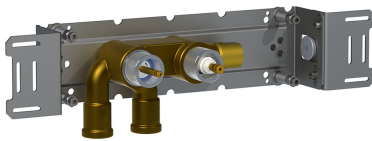
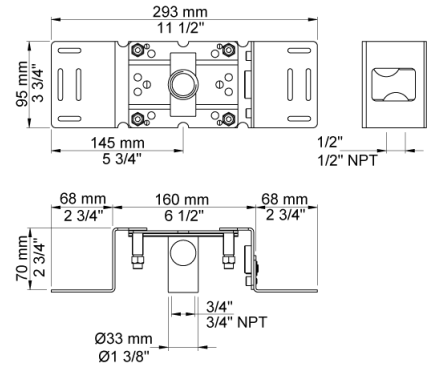
Client:

Project:



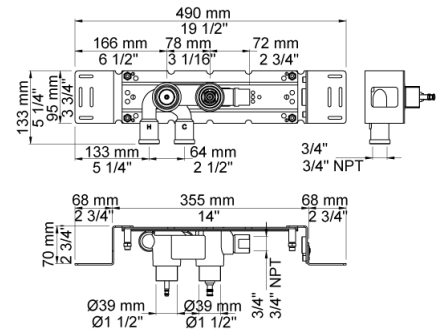
**200M**

Separate outlet socket. 1/2" connection to copper, steel, iron or pex pipe work.



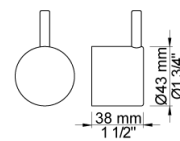
**5200V**

Thermostatic mixer without outlet socket. 3/4" connection to copper, steel, iron or pex pipe work.



**NR51**

On/off handle for 5000 and 6000.



Date:

Client:

Project:



**NR52**  
Thermostatic handle for serie 5000.

