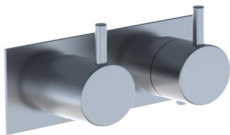


Date:

Client:

Project:

VOLA product: 5282



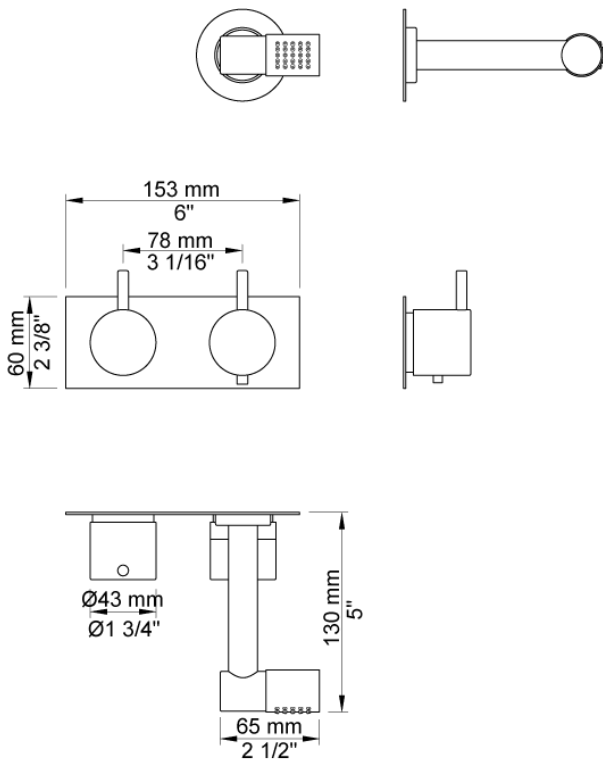
5282

¾" thermostatic mixer. 5282UP = Thermostatic mixer 5200V, 200M. 5282AP = Handle NR51, handle NR52, 115 mm head shower 080, two-hole plate 60 x 153 mm 5002, 60 mm circular flange 001.

Flow

| | Bar: | 1.0 | 2.0 | 3.0 | 4.0 | 5.0 |
|--------------------|---------|-----|------|------|------|------|
| 5282 ¹⁾ | (l/min) | 8.1 | 11.4 | 14.0 | 16.2 | 18.1 |

¹⁾ USA: Flow restricted to 1.8 gpm (7.0 l/min)



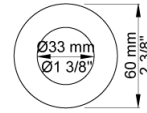
Available in colors

- Color 02, Grey
- Color 04, Light blue
- Color 05, Orange
- Color 06, Light green
- Color 08, Yellow
- Color 09, Dark grey
- Color 12, Mocca
- Color 14, Bright red
- Color 15, Dark blue
- Color 16, Polished chrome
- Color 17, Gloss black
- Color 18, White
- Color 19, Natural brass
- Color 20, Brushed chrome
- Color 21, Carmine red
- Color 25, Pink
- Color 27, Matt black
- Color 40, Brushed stainless steel

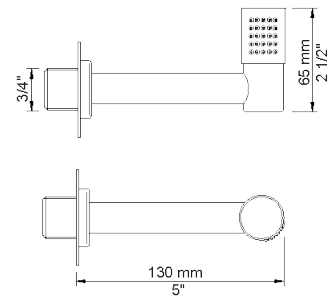
Date:

Client:

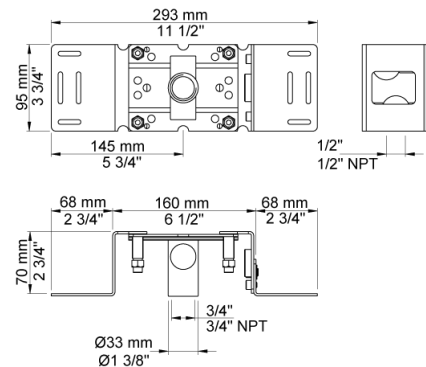
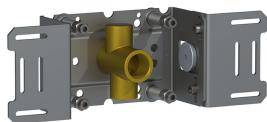
Project:



001
60 mm circular flange. Hole Ø33 mm.



080
130 mm head shower. 60 mm cover flange included.

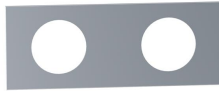


200M
Separate outlet socket. 1/2" connection to copper, steel, iron or pex pipe work.

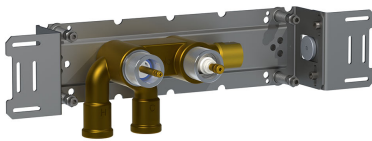
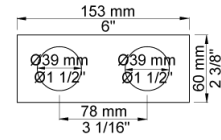
Date:

Client:

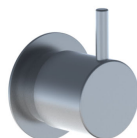
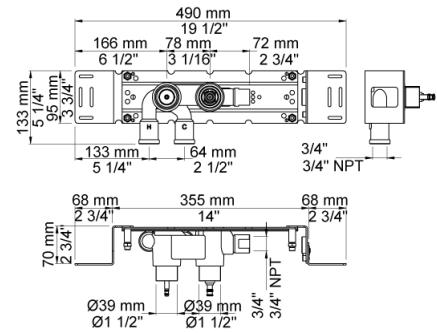
Project:



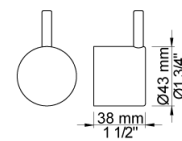
5002
Two-hole plate (for 5200 and 5200V).



5200V
Thermostatic mixer without outlet socket. 3/4" connection to copper, steel, iron or pex pipe work.



NR51
On/off handle for 5000 and 6000.



Date:

Client:

Project:



NR52
Thermostatic handle for serie 5000.

