

Date:

Client:

Project:

VOLA product: 5281D



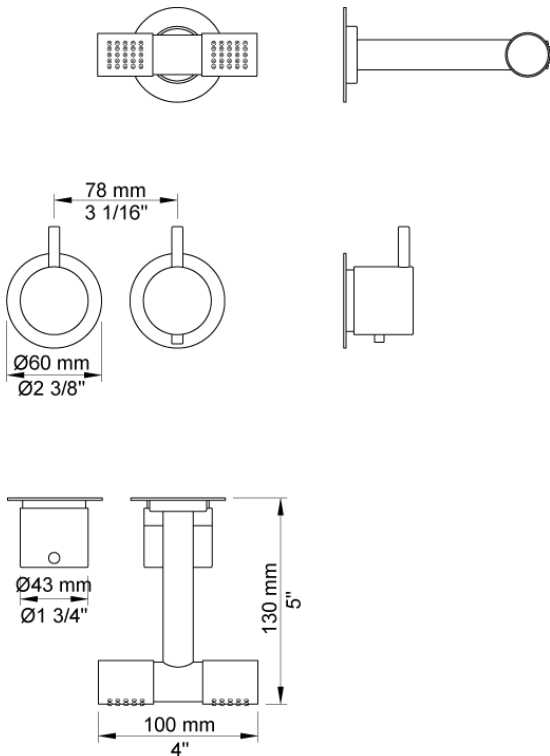
5281D

¾" thermostatic mixer. 5281DUP = Thermostatic mixer 5200V, 200M.5281DAP = Handle NR51, handle NR52, 115 mm double head shower 080D, 2 pcs. 60 mm circular flanges 2001, 60 mm circular flange 001.

Flow

	Bar:	1.0	2.0	3.0	4.0	5.0
5281D ¹⁾	(l/min)	14.4	20.4	25.0	28.9	32.3

¹⁾ USA: Flow restricted to 1.8 gpm (7.0 l/min)



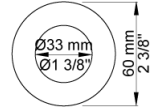
Available in colors

- Color 02, Grey
- Color 04, Light blue
- Color 05, Orange
- Color 06, Light green
- Color 08, Yellow
- Color 09, Dark grey
- Color 12, Mocca
- Color 14, Bright red
- Color 15, Dark blue
- Color 16, Polished chrome
- Color 17, Gloss black
- Color 18, White
- Color 19, Natural brass
- Color 20, Brushed chrome
- Color 21, Carmine red
- Color 25, Pink
- Color 27, Matt black
- Color 40, Brushed stainless steel

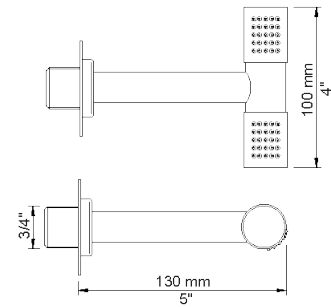
Date:

Client:

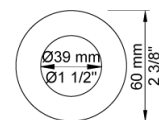
Project:



001
60 mm circular flange. Hole Ø33 mm.



080D
130 mm double head shower. 60 mm cover flange included.

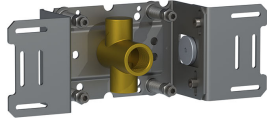


2001
60 mm circular flange. Hole Ø39 mm.

Date:

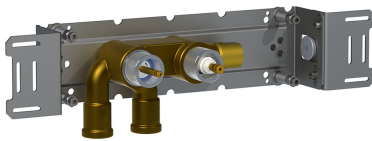
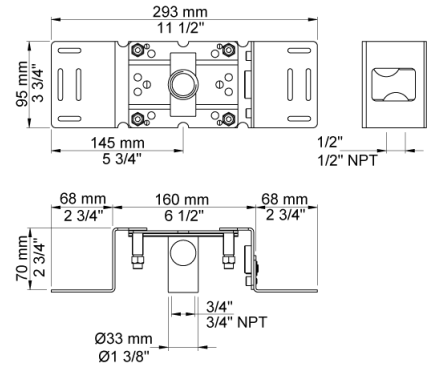
Client:

Project:



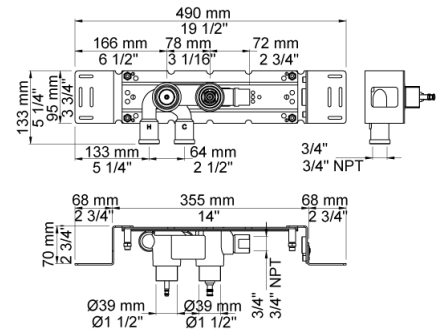
200M

Separate outlet socket. 1/2" connection to copper, steel, iron or pex pipe work.



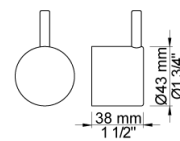
5200V

Thermostatic mixer without outlet socket. 3/4" connection to copper, steel, iron or pex pipe work.



NR51

On/off handle for 5000 and 6000.



Date:

Client:

Project:



NR52
Thermostatic handle for serie 5000.

