

Date:

Client:

Project:

VOLA product: 5282ST



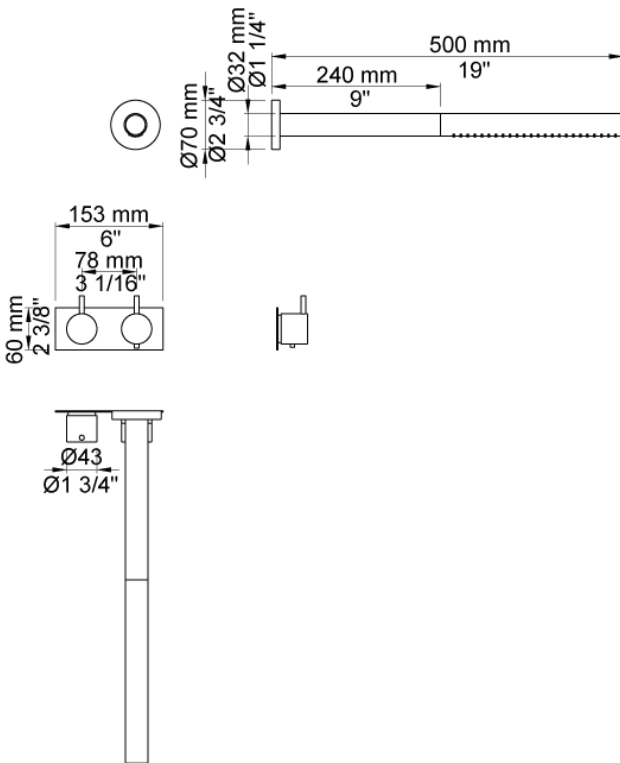
5282ST

¾" thermostatic mixer.5282STUP = Thermostatic mixer 5200V, 200M.5282STAP = Handle NR51, handle NR52, 500 mm head shower 080ST, two-hole plate 60 x 153 mm 5002.

Flow

	Bar:	1.0	2.0	3.0	4.0	5.0
5282ST ¹⁾	(l/min)	14.4	20.4	25.0	28.9	32.3

¹⁾ USA: Flow restricted to 1.8 gpm (7.0 l/min)



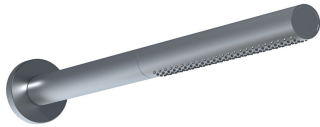
Available in colors

- Color 02, Grey
- Color 04, Light blue
- Color 05, Orange
- Color 06, Light green
- Color 08, Yellow
- Color 09, Dark grey
- Color 12, Mocca
- Color 14, Bright red
- Color 15, Dark blue
- Color 16, Polished chrome
- Color 17, Gloss black
- Color 18, White
- Color 19, Natural brass
- Color 20, Brushed chrome
- Color 21, Carmine red
- Color 25, Pink
- Color 27, Matt black
- Color 40, Brushed stainless steel

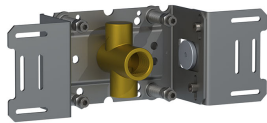
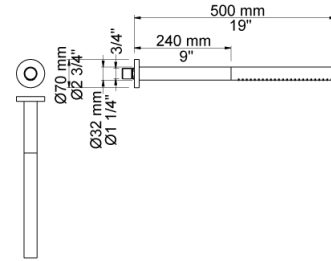
Date:

Client:

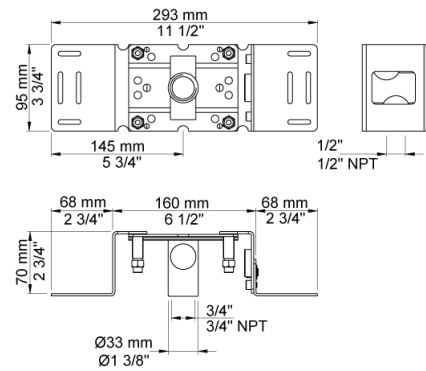
Project:



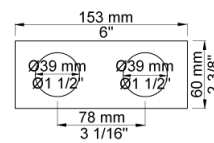
080ST
Head shower, 500 mm.



200M
Separate outlet socket. 1/2" connection to copper, steel, iron or pex pipe work.



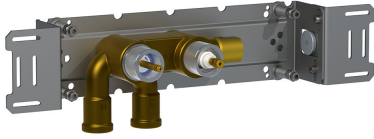
5002
Two-hole plate (for 5200 and 5200V).



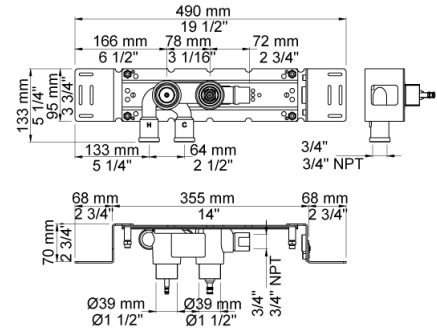
Date:

Client:

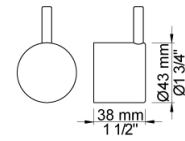
Project:



5200V
Thermostatic mixer without outlet socket. 3/4" connection to copper, steel, iron or pex pipe work.



NR51
On/off handle for 5000 and 6000.



NR52
Thermostatic handle for serie 5000.

