

Date:

Client:

Project:

VOLA product: 5201



5201

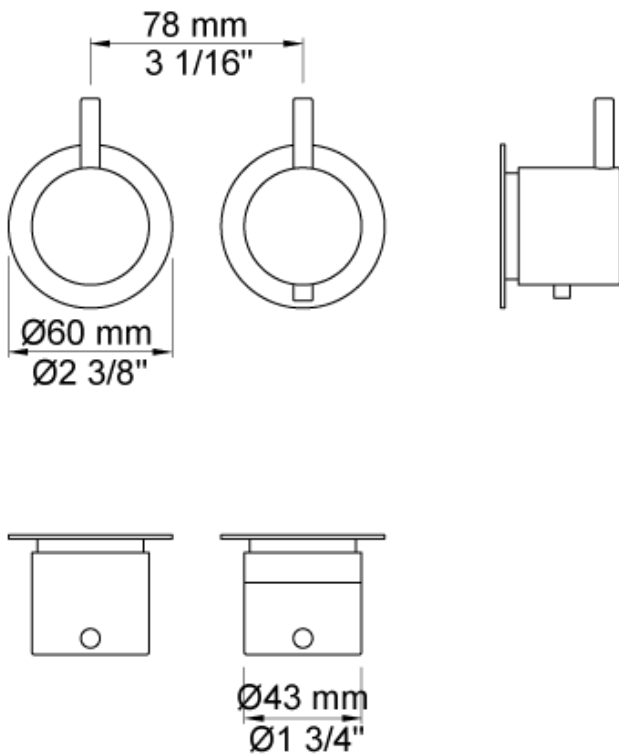
¾" thermostatic mixer. 5201UP = Thermostatic mixer 5200V. 5201AP = Handle NR51, handle NR52, 2 pcs. 60 mm circular flanges 2001.

Flow

	Bar:	1.0	2.0	3.0	4.0	5.0
5201 ¹⁾	(l/min)	20.2	28.6	35.0	40.4	45.2
5201 ²⁾	(l/min)	24.8	35.1	43.0	49.7	55.5

¹⁾ Standard (VR5277LK)

²⁾ Option (VR5277K)



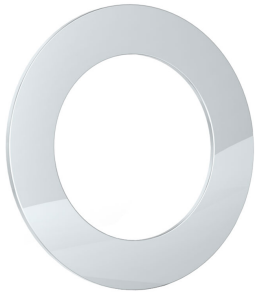
Available in colors

- Color 02, Grey
- Color 04, Light blue
- Color 05, Orange
- Color 06, Light green
- Color 08, Yellow
- Color 09, Dark grey
- Color 12, Mocca
- Color 14, Bright red
- Color 15, Dark blue
- Color 16, Polished chrome
- Color 17, Gloss black
- Color 18, White
- Color 19, Natural brass
- Color 20, Brushed chrome
- Color 21, Carmine red
- Color 25, Pink
- Color 27, Matt black
- Color 40, Brushed stainless steel

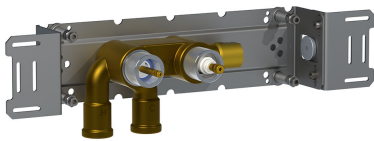
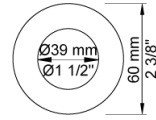
Date:

Client:

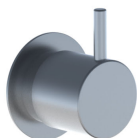
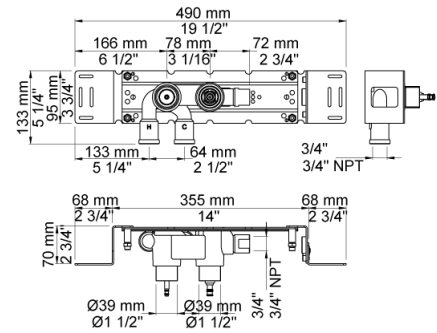
Project:



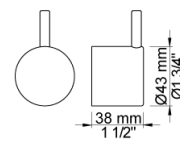
2001
60 mm circular flange. Hole Ø39 mm.



5200V
Thermostatic mixer without outlet socket. 3/4" connection to copper, steel, iron or pex pipe work.



NR51
On/off handle for 5000 and 6000.



Date:

Client:

Project:



NR52
Thermostatic handle for serie 5000.

