

Date:

Client:

Project:

VOLA product: 5471R-061A



5471R-061A

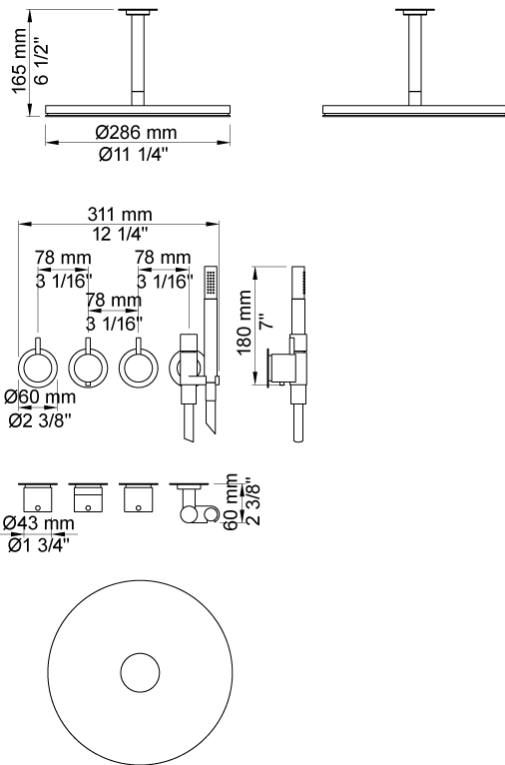
¾" thermostatic mixer. 5471R-061AUP = Thermostatic mixer 5400NV, 200M. 5471R-061AAP = Handle NR51, handle NR52, handle NR64G, hand shower and hand shower holder with non-return valve 070R, hose 1500 mm, ceiling mounted head shower 060A, 3 pcs. 60 mm circular flanges 2001, 2 pcs. 60 mm circular flanges 001.

Flow

	Bar:	1.0	2.0	3.0	4.0	5.0
070R ¹⁾	(l/min)	5.2	7.4	9.0	9.0	9.0
060A ²⁾	(l/min)	12.7	18.0	22.0	25.4	28.4

¹⁾ USA: Flow restricted to 1.8 gpm (7.0 l/min)

²⁾ USA: Flow restricted to 1.8 gpm (7.0 l/min)



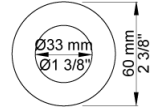
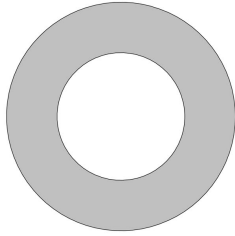
Available in colors

- Color 02, Grey
- Color 04, Light blue
- Color 05, Orange
- Color 06, Light green
- Color 08, Yellow
- Color 09, Dark grey
- Color 12, Mocca
- Color 14, Bright red
- Color 15, Dark blue
- Color 16, Polished chrome
- Color 17, Gloss black
- Color 18, White
- Color 19, Natural brass
- Color 20, Brushed chrome
- Color 21, Carmine red
- Color 25, Pink
- Color 27, Matt black
- Color 40, Brushed stainless steel

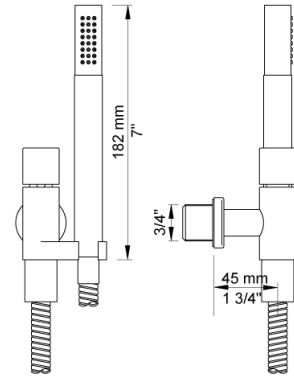
Date:

Client:

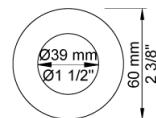
Project:



001
60 mm circular flange. Hole Ø33 mm.



070R
Hand shower, hand shower with holder to the right and hose with non-return valve.

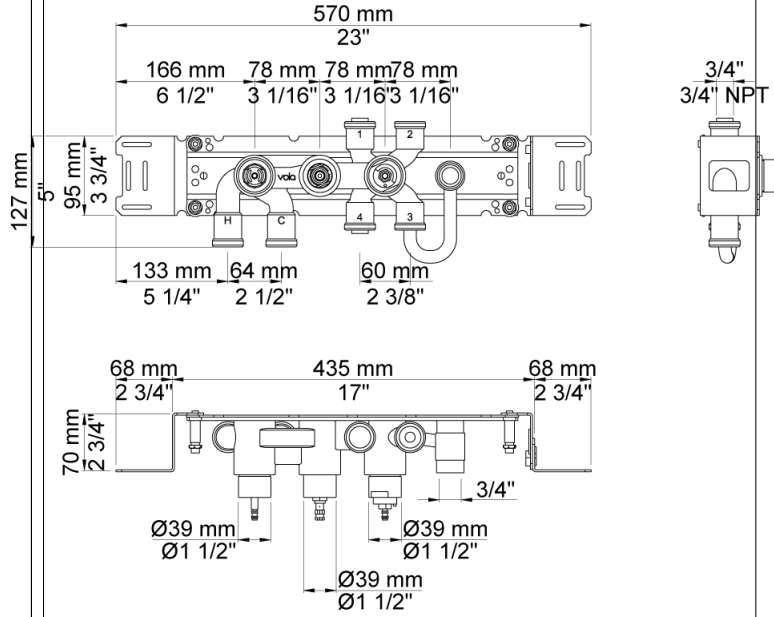
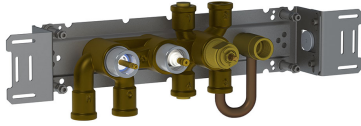


2001
60 mm circular flange. Hole Ø39 mm.

Date:

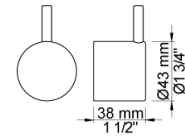
Client:

Project:



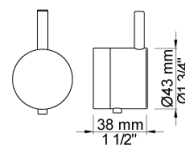
5400NV

Thermostatic mixer with diverter and one fixed outlet socket. 3/4" connection to copper, steel, iron or pex pipe work.



NR51

On/off handle for 5000 and 6000.



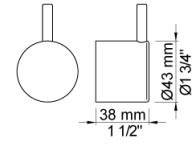
NR52

Thermostatic handle for serie 5000.

Date:

Client:

Project:



NR64G

Diverter handle for 5400/5600. With peg in the same colour as handle (Standard).