

Date:

Client:

Project:

VOLA product: 5471-051A



5471-051A

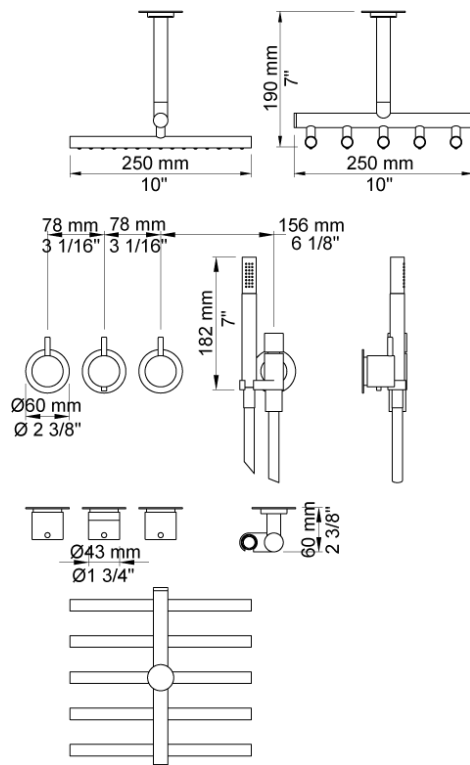
¾" thermostatic mixer.5471-051AUP = Thermostatic mixer 5400FV, 200M.5471-051AAP = Handle NR51, handle NR52, handle NR64G, hand shower and hand shower holder with non-return valve 070, hose 1500 mm, ceiling mounted head shower 050A, 3 pcs. 60 mm circular flanges 2001, 2 pcs. 001.

Flow

| | Bar: | 1.0 | 2.0 | 3.0 | 4.0 | 5.0 |
|--------------------|-------------|------------|------------|------------|------------|------------|
| 070 ¹⁾ | (l/min) | 5.2 | 7.4 | 9.0 | 9.0 | 9.0 |
| 050A ²⁾ | (l/min) | 13.3 | 18.8 | 23.0 | 26.6 | 29.7 |

¹⁾ USA: Flow restricted to 1.8 gpm (7.0 l/min)

²⁾ USA: Flow restricted to 1.8 gpm (7.0 l/min)



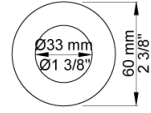
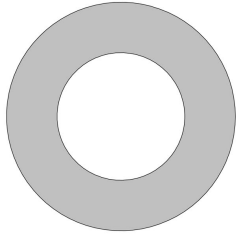
Available in colors

- Color 02, Grey
- Color 04, Light blue
- Color 05, Orange
- Color 06, Light green
- Color 08, Yellow
- Color 09, Dark grey
- Color 12, Mocca
- Color 14, Bright red
- Color 15, Dark blue
- Color 16, Polished chrome
- Color 17, Gloss black
- Color 18, White
- Color 19, Natural brass
- Color 20, Brushed chrome
- Color 21, Carmine red
- Color 25, Pink
- Color 27, Matt black
- Color 40, Brushed stainless steel

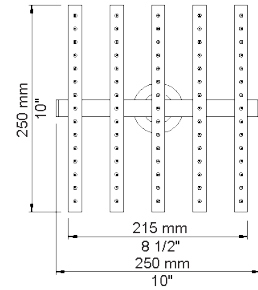
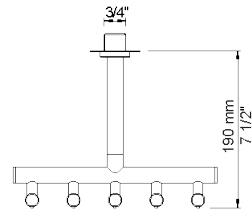
Date:

Client:

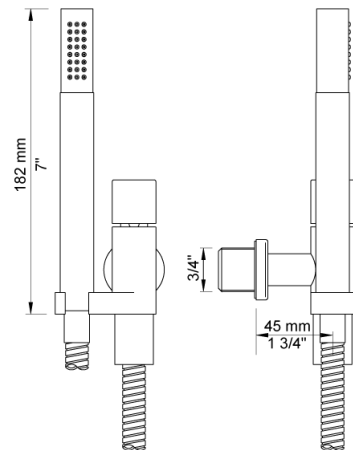
Project:



001
60 mm circular flange. Hole Ø33 mm.



050A
Head shower, ceiling mounted. 60 mm cover flange included.



070
Hand shower, hand shower holder and hose with non-return valve.

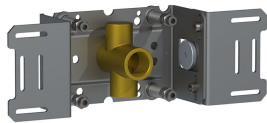
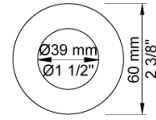
Date:

Client:

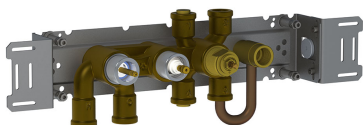
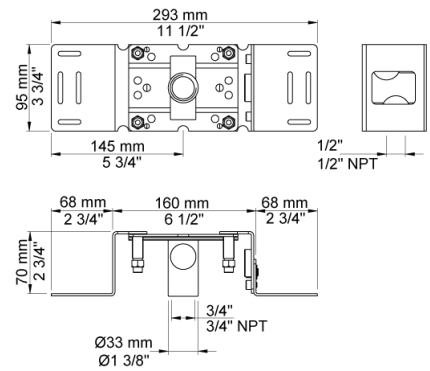
Project:



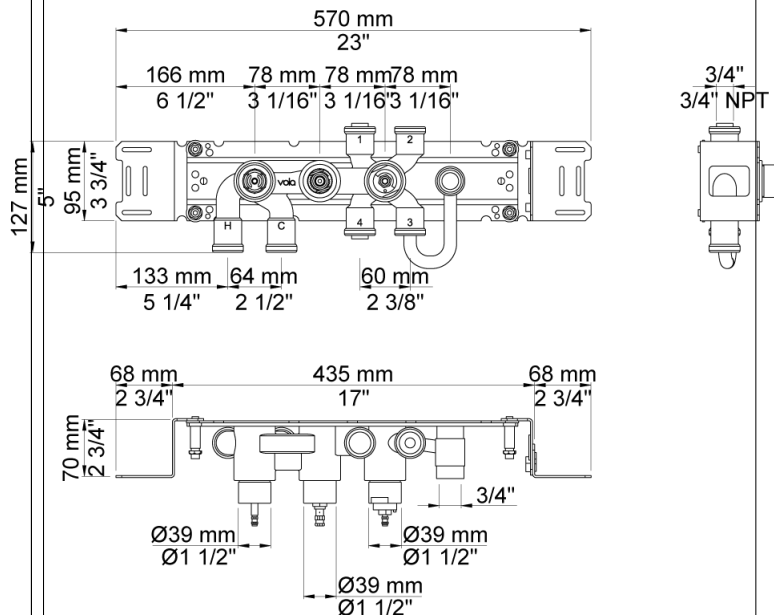
2001
60 mm circular flange. Hole Ø39 mm.



200M
Separate outlet socket. 1/2" connection to copper, steel, iron or pex pipe work.



5400NV
Thermostatic mixer with diverter and one fixed outlet socket. 3/4" connection to copper, steel, iron or pex pipe work.



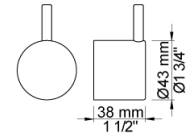
Date:

Client:

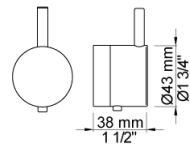
Project:



NR51
On/off handle for 5000 and 6000.



NR52
Thermostatic handle for serie 5000.



NR64G
Diverter handle for 5400/5600. With peg in the same colour as handle (Standard).

