

Date:

Client:

Project:

VOLA product: 5251A



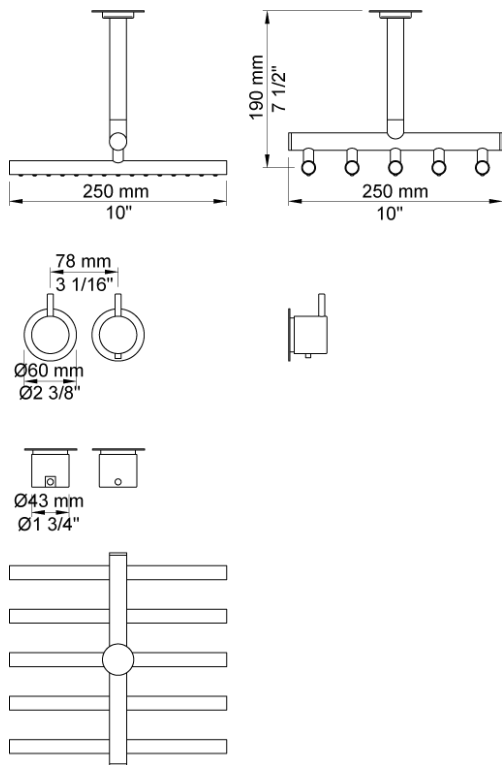
5251A

¾" thermostatic mixer. 5251AUP = Thermostatic mixer 5200V, 200M. 5251AAP = Handle NR51, handle NR52, ceiling mounted head shower 050A, 2 pcs. 60 mm circular flanges 2001, 60 mm circular flange 001.

Flow

	Bar:	1.0	2.0	3.0	4.0	5.0
5251A ¹⁾	(l/min)	13.3	18.8	23.0	26.6	29.7

¹⁾ USA: Flow restricted to 1.8 gpm (7.0 l/min)



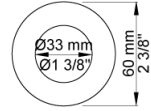
Available in colors

- Color 02, Grey
- Color 04, Light blue
- Color 05, Orange
- Color 06, Light green
- Color 08, Yellow
- Color 09, Dark grey
- Color 12, Mocca
- Color 14, Bright red
- Color 15, Dark blue
- Color 16, Polished chrome
- Color 17, Gloss black
- Color 18, White
- Color 19, Natural brass
- Color 20, Brushed chrome
- Color 21, Carmine red
- Color 25, Pink
- Color 27, Matt black
- Color 40, Brushed stainless steel

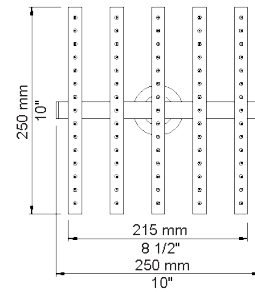
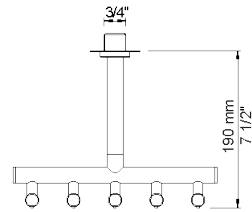
Date:

Client:

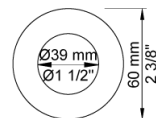
Project:



001
60 mm circular flange. Hole Ø33 mm.



050A
Head shower, ceiling mounted. 60 mm cover flange included.

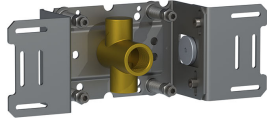


2001
60 mm circular flange. Hole Ø39 mm.

Date:

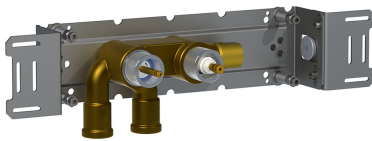
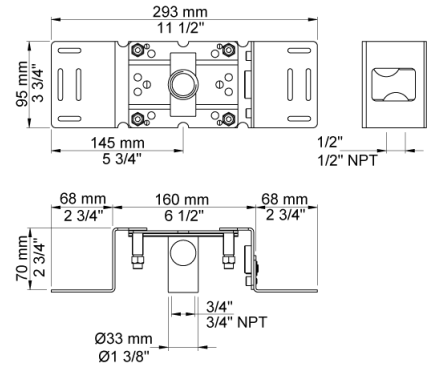
Client:

Project:



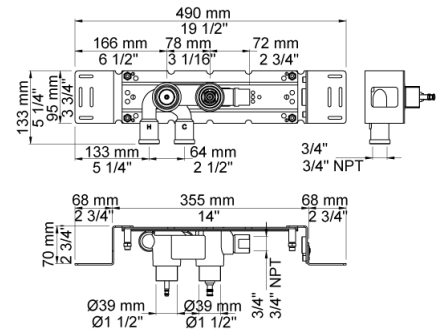
200M

Separate outlet socket. 1/2" connection to copper, steel, iron or pex pipe work.



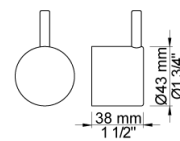
5200V

Thermostatic mixer without outlet socket. 3/4" connection to copper, steel, iron or pex pipe work.



NR51

On/off handle for 5000 and 6000.



Date:

Client:

Project:



NR52
Thermostatic handle for serie 5000.

