

Date:

Client:

Project:

VOLA product: 5474L-061



5474L-061

¾" thermostatic mixer.5474L-061UP = Thermostatic mixer 5400FV, 200M.5474L-061AP = Handle NR51, handle NR52, handle NR64G, hand shower and hand shower holder with non-return valve 070, wall mounted head shower 060, four-hole plate 60 x 387 mm 5004L, 60 mm circular flange 001.

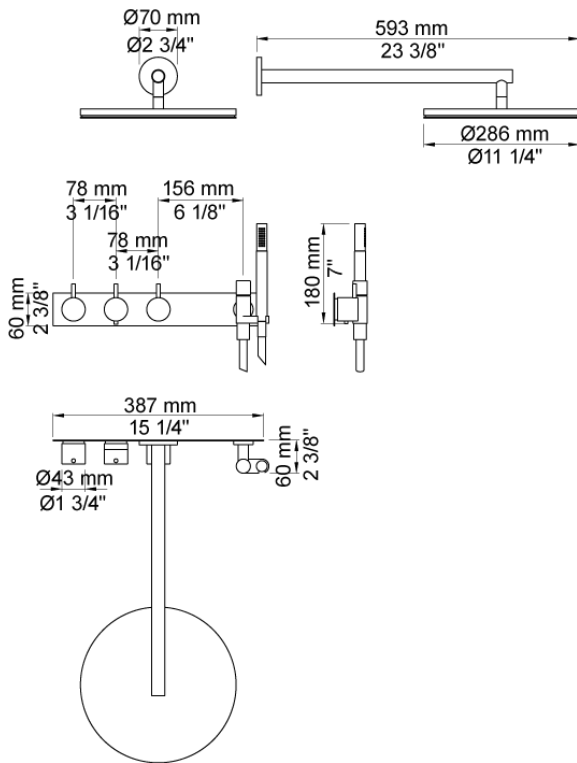
Ada approved.

Flow

	Bar:	1.0	2.0	3.0	4.0	5.0
070 ¹⁾	(l/min)	5.2	7.4	9.0	9.0	9.0
060 ²⁾	(l/min)	12.7	18.0	22.0	25.4	28.4

¹⁾ USA: Flow restricted to 1.8 gpm (7.0 l/min)

²⁾ USA: Flow restricted to 1.8 gpm (7.0 l/min)



Available in colors

- Color 02, Grey
- Color 04, Light blue
- Color 05, Orange
- Color 06, Light green
- Color 08, Yellow
- Color 09, Dark grey
- Color 12, Mocca
- Color 14, Bright red
- Color 15, Dark blue
- Color 16, Polished chrome
- Color 17, Gloss black
- Color 18, White
- Color 19, Natural brass
- Color 20, Brushed chrome
- Color 21, Carmine red
- Color 25, Pink
- Color 27, Matt black
- Color 40, Brushed stainless steel

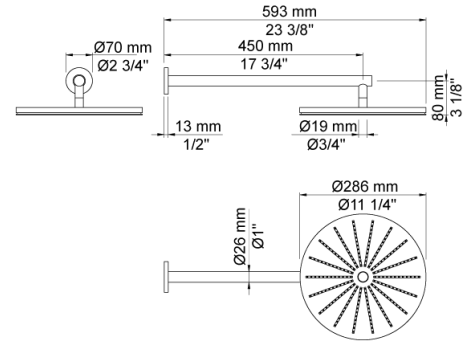
Date:

Client:

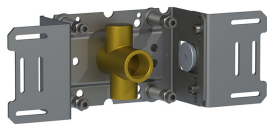
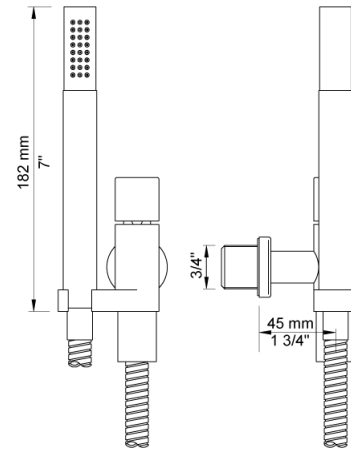
Project:



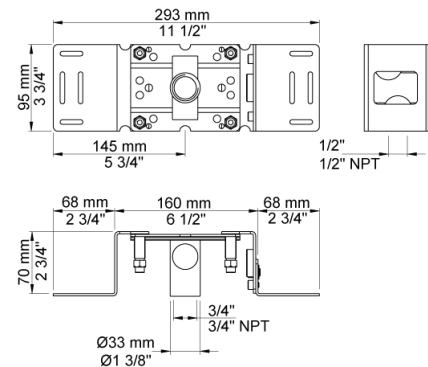
060
Head shower, round, wall-mounted.



070
Hand shower, hand shower holder and hose with non-return valve.



200M
Separate outlet socket. 1/2" connection to copper, steel, iron or pex pipe work.



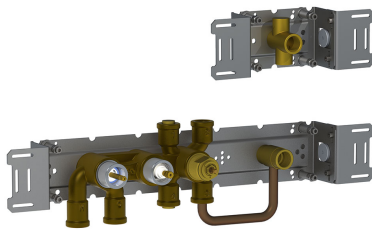
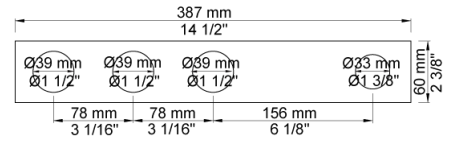
Date:

Client:

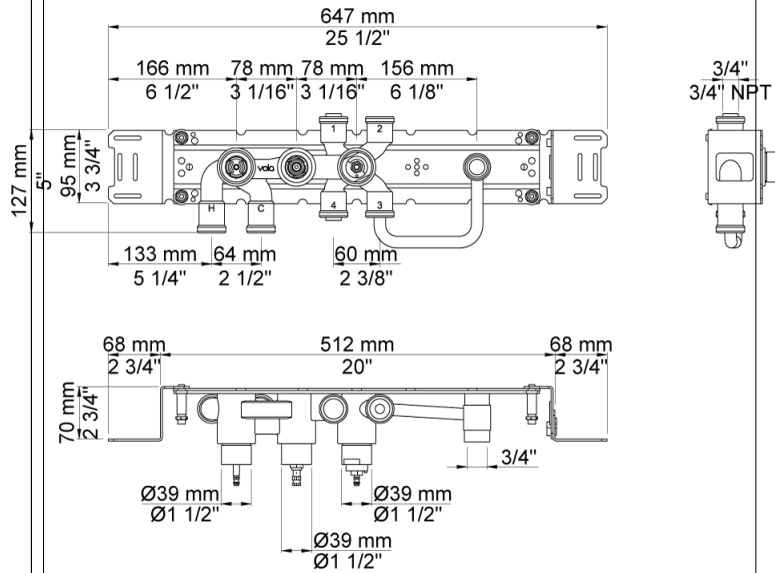
Project:



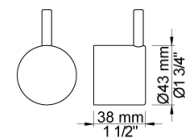
5004L
Four-hole plate (for 5400RV and 5400FV). 60 x 387 mm. Holes Ø39, Ø39, Ø39 and Ø33 mm.



5400F
Thermostatic mixer with diverter, fixed outlet socket and one separate outlet socket, 200M. 3/4" connection to copper, steel, iron or pex pipe work.



NR51
On/off handle for 5000 and 6000.



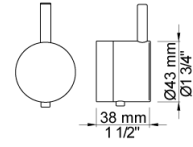
Date:

Client:

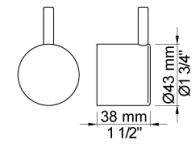
Project:



NR52
Thermostatic handle for serie 5000.



NR54G
Diverter handle for 5000 with peg in the same colour as handle (Standard).



NR64G
Diverter handle for 5400/5600. With peg in the same colour as handle (Standard).

