

Date:

Client:

Project:

VOLA product: 5474R-061



**5474R-061**

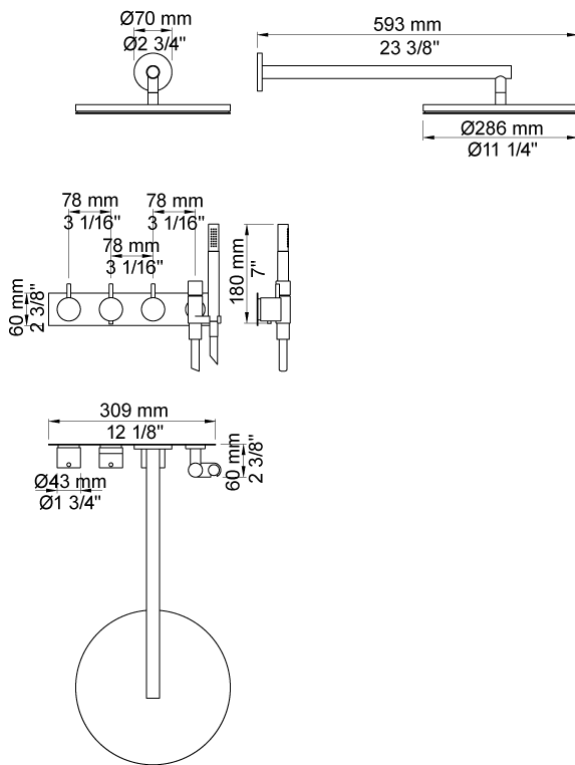
¾" thermostatic mixer.5474R-061UP = Thermostatic mixer 5400NV, 200M.5474R-061AP = Handle NR51, handle NR52, handle NR64G, hand shower and hand shower holder with non-return valve 070R, hose 1500 mm, wall mounted head shower 060, four-hole plate 60 x 309 mm 5004B, 60 mm circular flange 001.

**Flow**

	Bar:	1.0	2.0	3.0	4.0	5.0
070R <sup>1)</sup>	(l/min)	5.2	7.4	9.0	9.0	9.0
060 <sup>2)</sup>	(l/min)	12.7	18.0	22.0	25.4	28.4

<sup>1)</sup> USA: Flow restricted to 1.8 gpm (7.0 l/min)

<sup>2)</sup> USA: Flow restricted to 1.8 gpm (7.0 l/min)



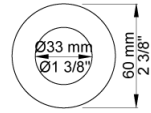
**Available in colors**

- Color 02, Grey
- Color 04, Light blue
- Color 05, Orange
- Color 06, Light green
- Color 08, Yellow
- Color 09, Dark grey
- Color 12, Mocca
- Color 14, Bright red
- Color 15, Dark blue
- Color 16, Polished chrome
- Color 17, Gloss black
- Color 18, White
- Color 19, Natural brass
- Color 20, Brushed chrome
- Color 21, Carmine red
- Color 25, Pink
- Color 27, Matt black
- Color 40, Brushed stainless steel

Date:

Client:

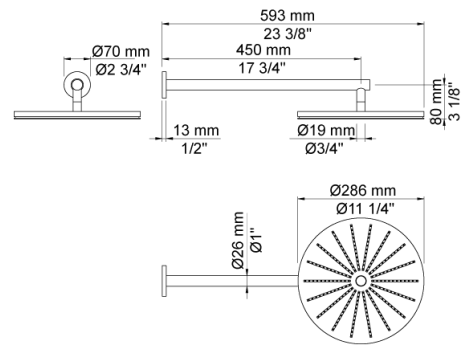
Project:



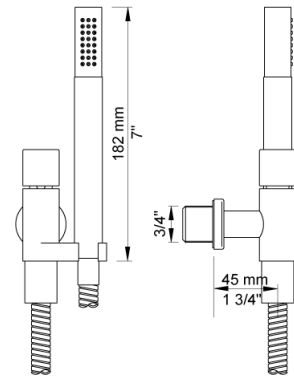
**001**  
60 mm circular flange. Hole Ø33 mm.



**060**  
Head shower, round, wall-mounted.



**070R**  
Hand shower, hand shower with holder to the right and hose with non-return valve.



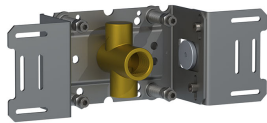
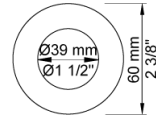
Date:

Client:

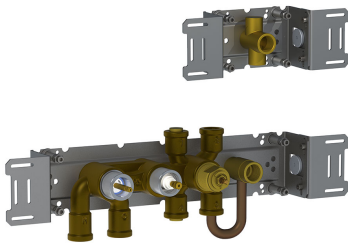
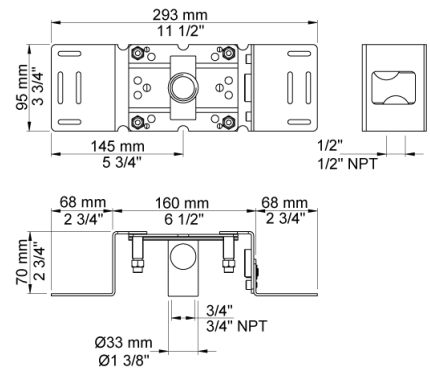
Project:



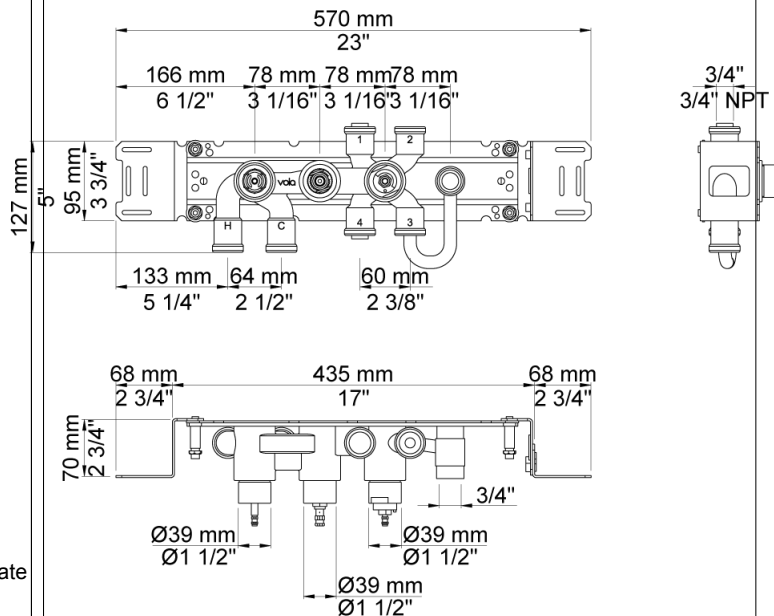
**2001**  
60 mm circular flange. Hole Ø39 mm.



**200M**  
Separate outlet socket. 1/2" connection to copper, steel, iron or pex pipe work.



**5400N**  
Thermostatic mixer with diverter and fixed outlet socket and one separate outlet socket, 200M. 3/4" connection to copper, steel, iron or pex pipe work.



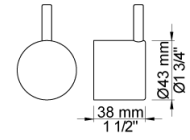
Date:

Client:

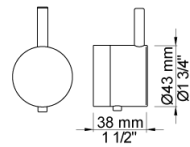
Project:



**NR51**  
On/off handle for 5000 and 6000.



**NR52**  
Thermostatic handle for serie 5000.



**NR64G**  
Diverter handle for 5400/5600. With peg in the same colour as handle (Standard).

