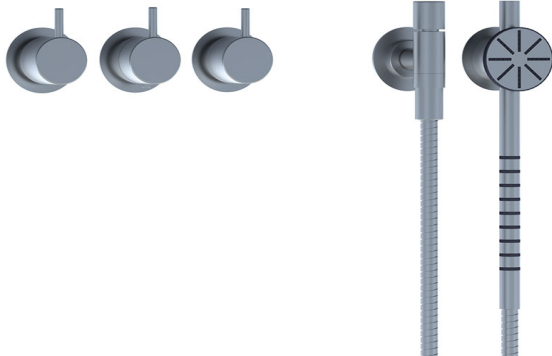
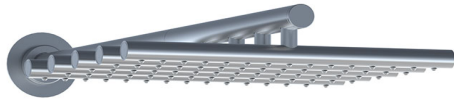


Date:

Client:

Project:

VOLA product: 5471S-051



5471S-051

¾" thermostatic mixer. 5471S-051UP = Thermostatic mixer 5400FV, 200M. 5471S-051AP = Handle NR51, handle NR52, handle NR64G, hand shower and hand shower holder with non-return valve 070S, hose 1500 mm, wall mounted head shower 050, 3 pcs. 60 mm circular flanges 2001, 3 pcs. 001.

Flow

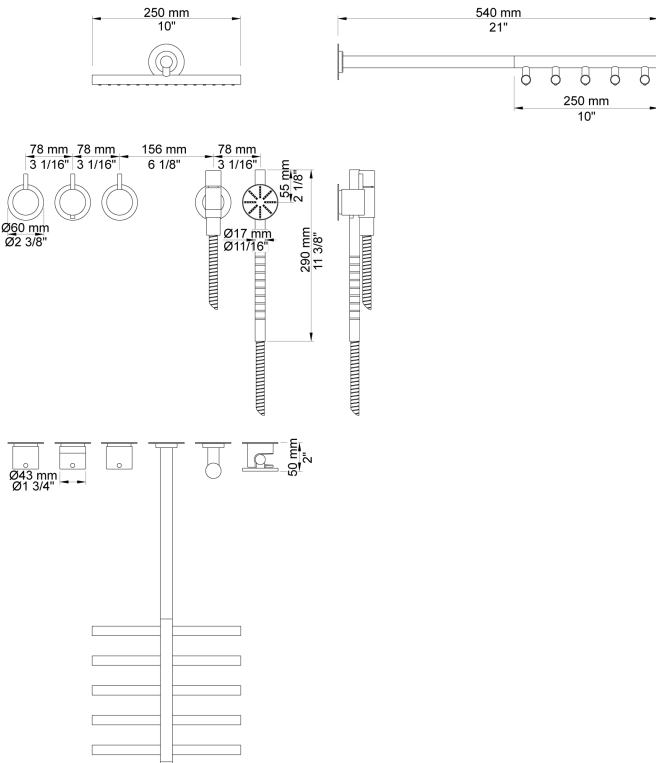
	Bar:	1.0	2.0	3.0	4.0	5.0
050 ¹⁾	(l/min)	13.3	18.8	23.0	26.6	29.7
070S ²⁾	(l/min)	6.9	9.8	12.0	13.9	15.5

¹⁾ USA: Flow restricted to 1.8 gpm (7.0 l/min)

²⁾ USA: Flow restricted to 2.0 gpm (7.6 l/min)

Available in colors

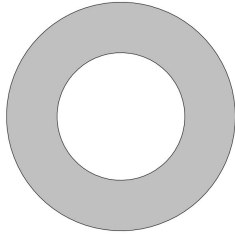
- Color 02, Grey
- Color 04, Light blue
- Color 05, Orange
- Color 06, Light green
- Color 08, Yellow
- Color 09, Dark grey
- Color 12, Mocca
- Color 14, Bright red
- Color 15, Dark blue
- Color 16, Polished chrome
- Color 17, Gloss black
- Color 18, White
- Color 19, Natural brass
- Color 20, Brushed chrome
- Color 21, Carmine red
- Color 25, Pink
- Color 27, Matt black
- Color 40, Brushed stainless steel



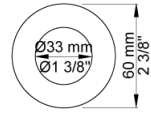
Date:

Client:

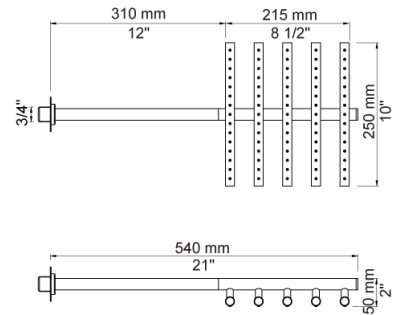
Project:



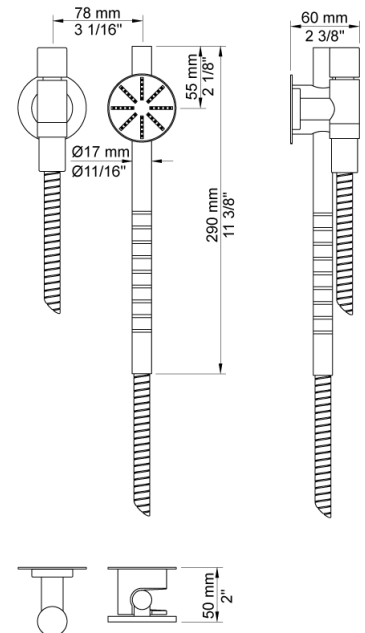
001
60 mm circular flange. Hole Ø33 mm.



050
Head shower, wall mounted. 60 mm cover flange included. Fits 200M in an existing installation if it is from the new generation of VOLA build-in fittings after 1995.



070S
Hand shower, hand shower holder and hose with non-return valve.



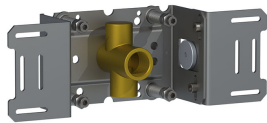
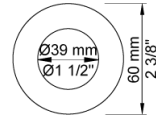
Date:

Client:

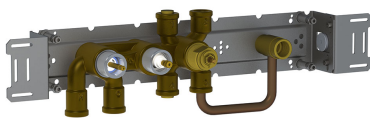
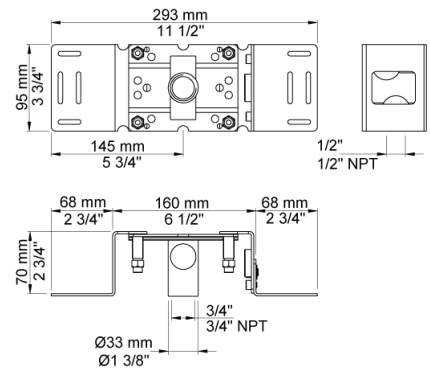
Project:



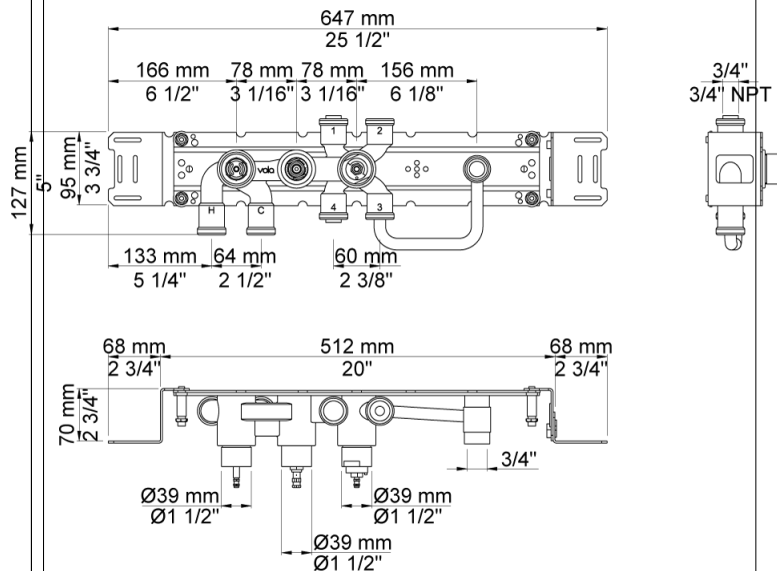
2001
60 mm circular flange. Hole Ø39 mm.



200M
Separate outlet socket. 1/2" connection to copper, steel, iron or pex pipe work.



5400FV
Thermostatic mixer with diverter and one fixed outlet socket. 3/4" connection to copper, steel, iron or pex pipe work.



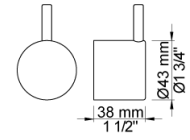
Date:

Client:

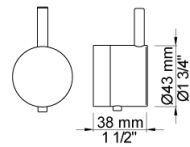
Project:



NR51
On/off handle for 5000 and 6000.



NR52
Thermostatic handle for serie 5000.



NR64G
Diverter handle for 5400/5600. With peg in the same colour as handle (Standard).

