

Date:

Client:

Project:

VOLA product: 5261



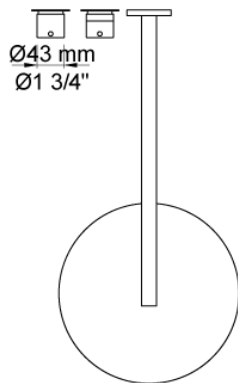
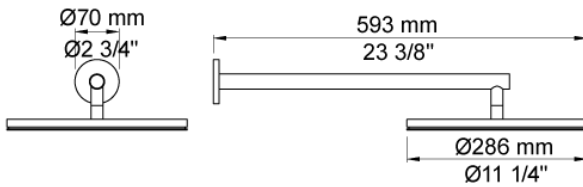
**5261**

¾" thermostatic mixer. 5261UP = Thermostatic mixer 5200V, 200M. 5261AP = Handle NR51, handle NR52, wall mounted head shower 060, 2 pcs 60 mm circular flanges 2001.

**Flow**

	Bar:	1.0	2.0	3.0	4.0	5.0
5261 <sup>1)</sup>	(l/min)	12.7	18.0	22.0	25.4	28.4

<sup>1)</sup> USA: Flow restricted to 1.8 gpm (7.0 l/min)



**Available in colors**

- Color 02, Grey
- Color 04, Light blue
- Color 05, Orange
- Color 06, Light green
- Color 08, Yellow
- Color 09, Dark grey
- Color 12, Mocca
- Color 14, Bright red
- Color 15, Dark blue
- Color 16, Polished chrome
- Color 17, Gloss black
- Color 18, White
- Color 19, Natural brass
- Color 20, Brushed chrome
- Color 21, Carmine red
- Color 25, Pink
- Color 27, Matt black
- Color 40, Brushed stainless steel

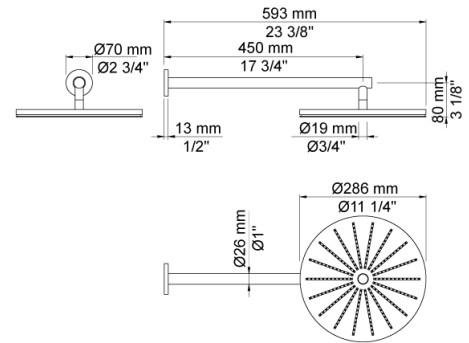
Date:

Client:

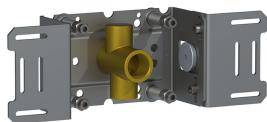
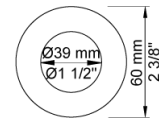
Project:



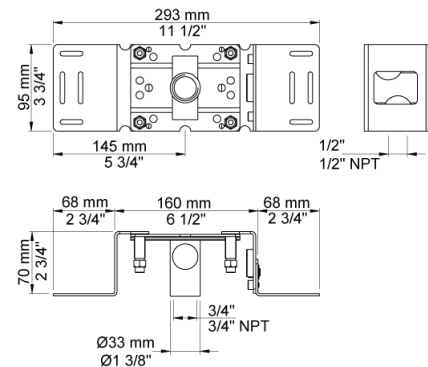
**060**  
Head shower, round, wall-mounted.



**2001**  
60 mm circular flange. Hole Ø39 mm.



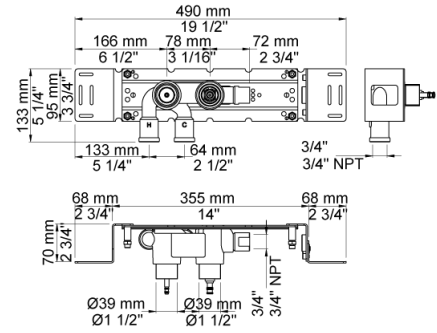
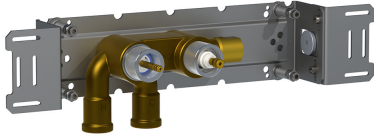
**200M**  
Separate outlet socket. 1/2" connection to copper, steel, iron or pex pipe work.



Date:

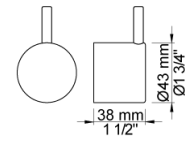
Client:

Project:



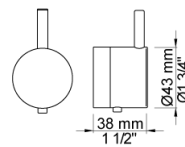
**5200V**

Thermostatic mixer without outlet socket. 3/4" connection to copper, steel, iron or pex pipe work.



**NR51**

On/off handle for 5000 and 6000.



**NR52**

Thermostatic handle for serie 5000.