

Date:

Client:

Project:

VOLA product: 5251



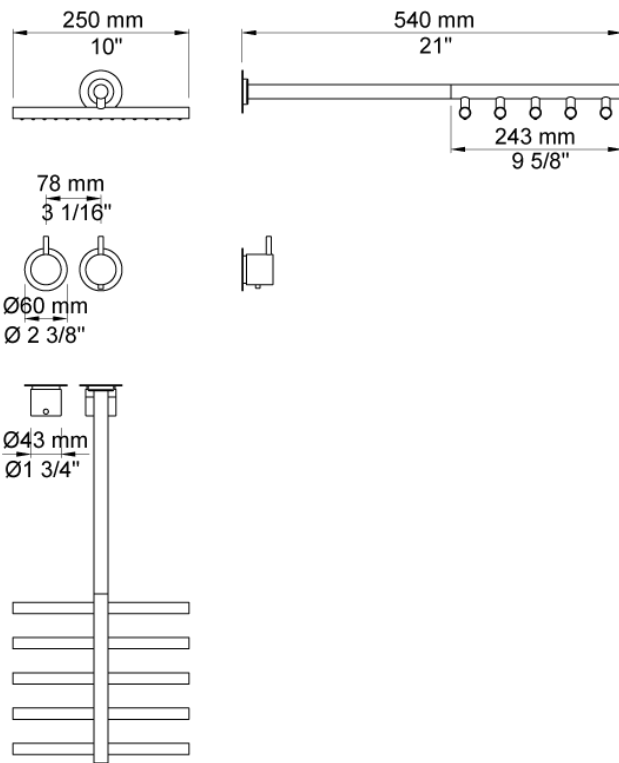
5251

¾" thermostatic mixer.5251UP = Thermostatic mixer 5200V, 200M.5251AP = Handle NR51, handle NR52, wall mounted head shower 050, 2 pcs. 60 mm circular flanges 2001, 60 mm circular flange 001.

Flow

	Bar:	1.0	2.0	3.0	4.0	5.0
5251 ¹⁾	(l/min)	13.3	18.8	23.0	26.6	29.7

¹⁾ USA: Flow restricted to 1.8 gpm (7.0 l/min)



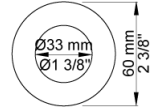
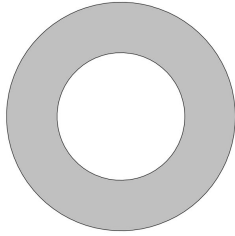
Available in colors

- Color 02, Grey
- Color 04, Light blue
- Color 05, Orange
- Color 06, Light green
- Color 08, Yellow
- Color 09, Dark grey
- Color 12, Mocca
- Color 14, Bright red
- Color 15, Dark blue
- Color 16, Polished chrome
- Color 17, Gloss black
- Color 18, White
- Color 19, Natural brass
- Color 20, Brushed chrome
- Color 21, Carmine red
- Color 25, Pink
- Color 27, Matt black
- Color 40, Brushed stainless steel

Date:

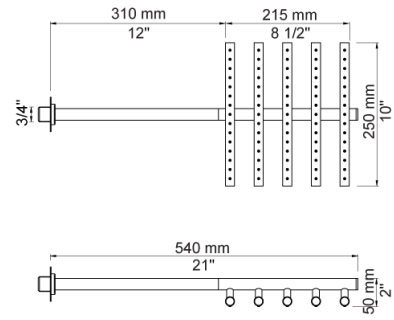
Client:

Project:



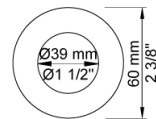
001

60 mm circular flange. Hole Ø33 mm.



050

Head shower, wall mounted. 60 mm cover flange included. Fits 200M in an existing installation if it is from the new generation of VOLA build-in fittings after 1995.



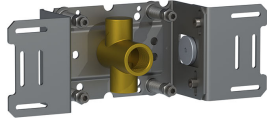
2001

60 mm circular flange. Hole Ø39 mm.

Date:

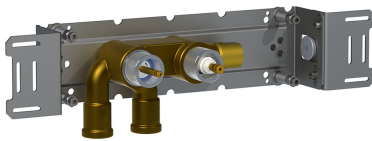
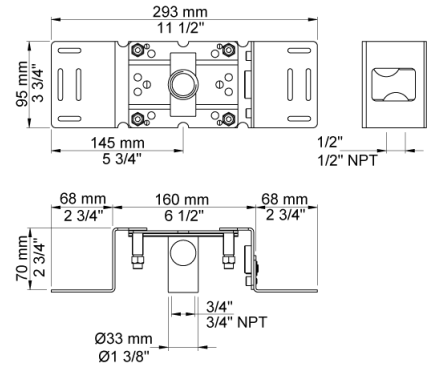
Client:

Project:



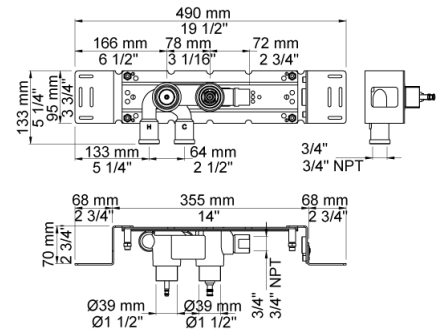
200M

Separate outlet socket. 1/2" connection to copper, steel, iron or pex pipe work.



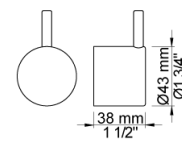
5200V

Thermostatic mixer without outlet socket. 3/4" connection to copper, steel, iron or pex pipe work.



NR51

On/off handle for 5000 and 6000.



Date:

Client:

Project:



NR52
Thermostatic handle for serie 5000.

