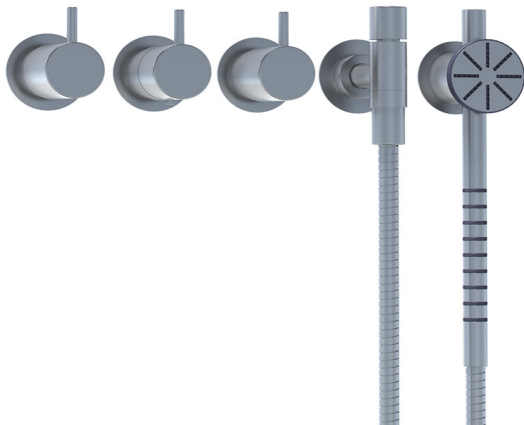


Date:

Client:

Project:

VOLA product: 5471S-081D



5471S-081D

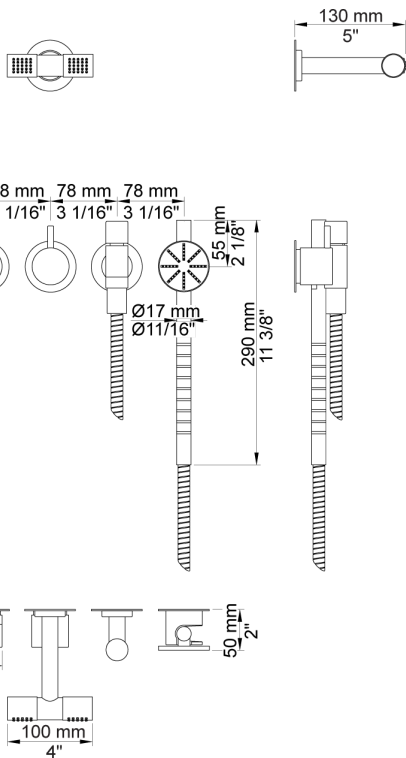
¾" thermostatic mixer.5471S-081DUP = Thermostatic mixer 5400NV, 200M.5471S-081DAP = Handle NR51, handle NR52, handle NR64G, hand shower and hand shower holder with non-return valve 070S, hose 1500 mm, 115 mm double head shower 080D, 3 pcs. 60 mm circular flanges 2001, 3 pcs. 001.

Flow

	Bar:	1.0	2.0	3.0	4.0	5.0
080D ¹⁾	(l/min)	14.4	20.4	25.0	28.9	32.3
070S ²⁾	(l/min)	6.9	9.8	12.0	13.9	15.5

¹⁾ USA: Flow restricted to 1.8 gpm (7.0 l/min)

²⁾ USA: Flow restricted to 2.0 gpm (7.6 l/min)



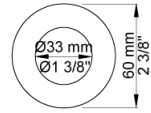
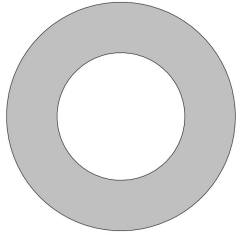
Available in colors

- Color 16, Polished chrome
- Color 19, Natural brass
- Color 20, Brushed chrome
- Color 40, Brushed stainless steel

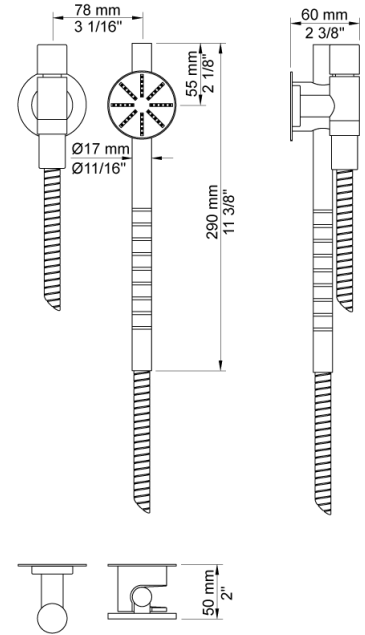
Date:

Client:

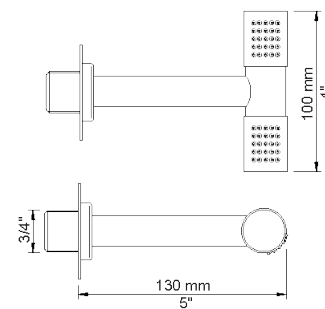
Project:



001
60 mm circular flange. Hole Ø33 mm.



070S
Hand shower, hand shower holder and hose with non-return valve.



080D
130 mm double head shower. 60 mm cover flange included.

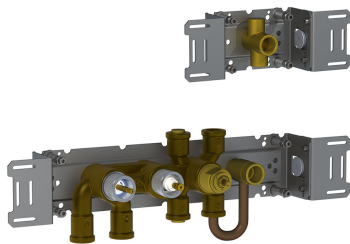
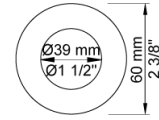
Date:

Client:

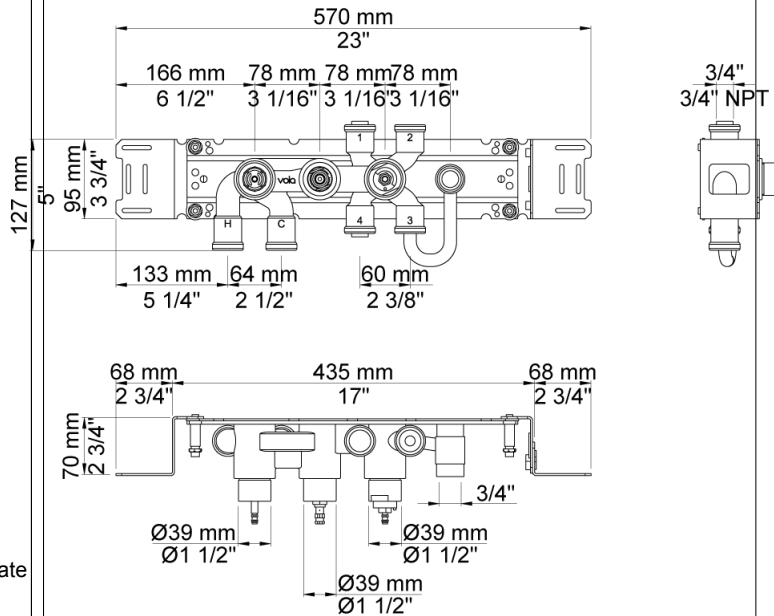
Project:



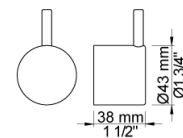
2001
60 mm circular flange. Hole Ø39 mm.



5400N
Thermostatic mixer with diverter and fixed outlet socket and one separate outlet socket, 200M. 3/4" connection to copper, steel, iron or pex pipe work.



NR51
On/off handle for 5000 and 6000.



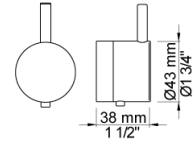
Date:

Client:

Project:



NR52
Thermostatic handle for serie 5000.



NR64G
Diverter handle for 5400/5600. With peg in the same colour as handle (Standard).

