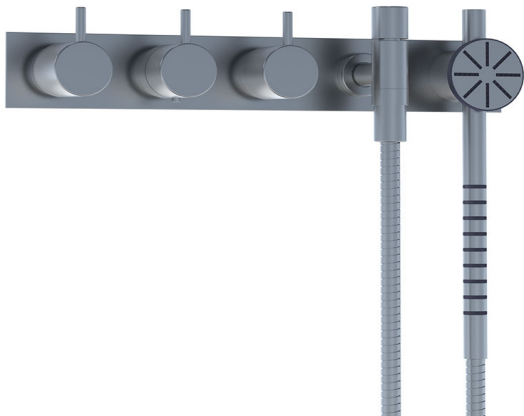


Date:

Client:

Project:

VOLA product: 5475S-081D



5475S-081D

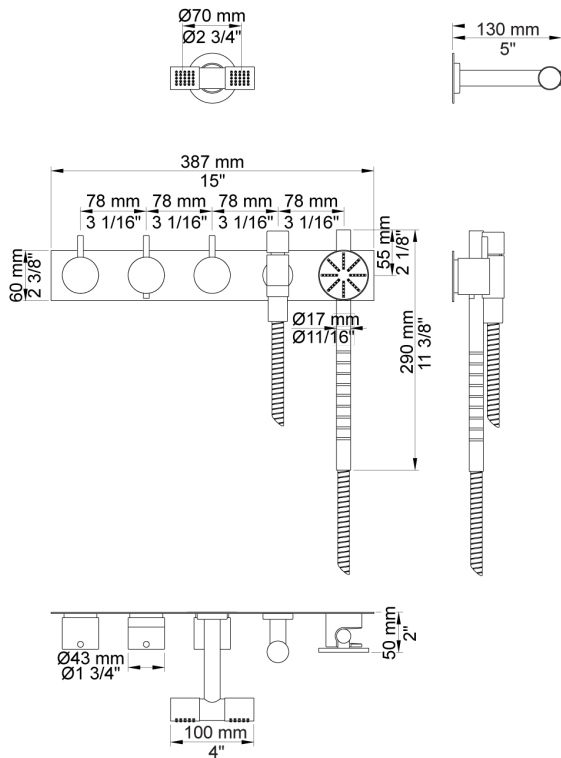
¾" thermostatic mixer.5475S-081DUP = Thermostatic mixer
 5400N.5475S-081DAP = Handle NR51, handle NR52, handle NR64G,
 hand shower and hand shower holder with non-return valve 070S, hose
 1500 mm, 115 mm double head shower 080D, five-hole plate 5005B, 60
 mm circular flange 001.

Flow

	Bar:	1.0	2.0	3.0	4.0	5.0
080D ¹⁾	(l/min)	14.4	20.4	25.0	28.9	32.3
070S ²⁾	(l/min)	6.9	9.8	12.0	13.9	15.5

¹⁾ USA: Flow restricted to 1.8 gpm (7.0 l/min)

²⁾ USA: Flow restricted to 2.0 gpm (7.6 l/min)



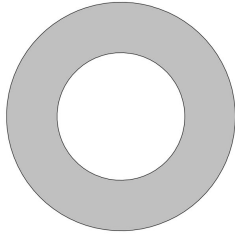
Available in colors

- Color 02, Grey
- Color 04, Light blue
- Color 05, Orange
- Color 06, Light green
- Color 08, Yellow
- Color 09, Dark grey
- Color 12, Mocca
- Color 14, Bright red
- Color 15, Dark blue
- Color 16, Polished chrome
- Color 17, Gloss black
- Color 18, White
- Color 19, Natural brass
- Color 20, Brushed chrome
- Color 21, Carmine red
- Color 25, Pink
- Color 27, Matt black
- Color 40, Brushed stainless steel

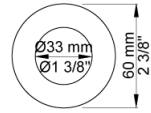
Date:

Client:

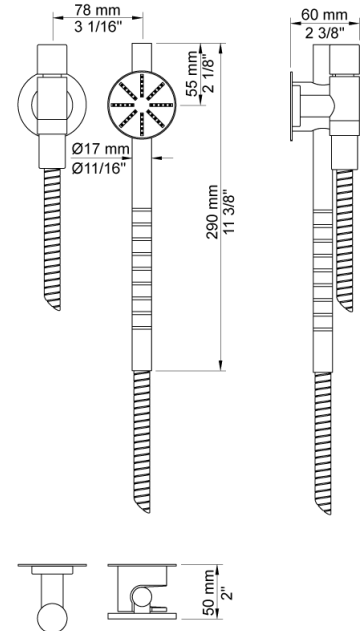
Project:



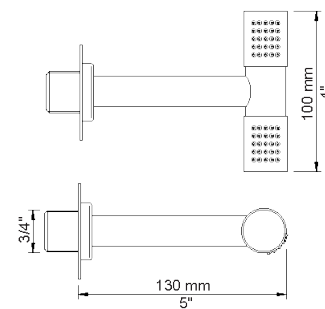
001
60 mm circular flange. Hole Ø33 mm.



070S
Hand shower, hand shower holder and hose with non-return valve.



080D
130 mm double head shower. 60 mm cover flange included.



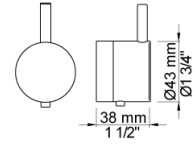
Date:

Client:

Project:



NR52
Thermostatic handle for serie 5000.



NR64G
Diverter handle for 5400/5600. With peg in the same colour as handle (Standard).

