

Date:

Client:

Project:

VOLA product: 5401



5401

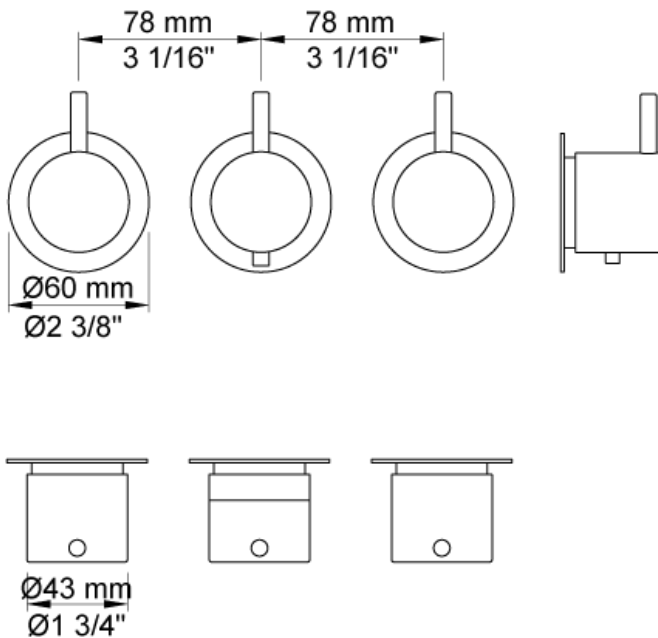
¾" thermostatic mixer and diverter. 5401UP = Thermostatic mixer 5400V. 5401AP = Handle NR51, handle NR52, handle NR64G, 3 pcs. 60 mm circular flanges 2001.A24 sold separately.

Flow

	Bar:	1.0	2.0	3.0	4.0	5.0
Outlet 1	(l/min)	18.5	26.1	32.0	37.0	41.3
Outlet 2	(l/min)	18.5	26.1	32.0	37.0	41.3
Outlet 1	(l/min)	4.4	6.2	7.6	7.6	7.6
Outlet 2	(l/min)	4.4	6.2	7.6	7.6	7.6

Available in colors

- Color 02, Grey
- Color 04, Light blue
- Color 05, Orange
- Color 06, Light green
- Color 08, Yellow
- Color 09, Dark grey
- Color 12, Mocca
- Color 14, Bright red
- Color 15, Dark blue
- Color 16, Polished chrome
- Color 17, Gloss black
- Color 18, White
- Color 19, Natural brass
- Color 20, Brushed chrome
- Color 21, Carmine red
- Color 25, Pink
- Color 27, Matt black
- Color 40, Brushed stainless steel



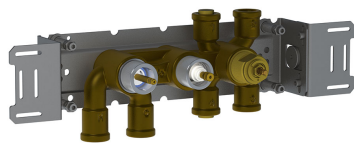
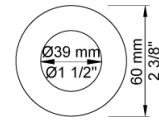
Date:

Client:

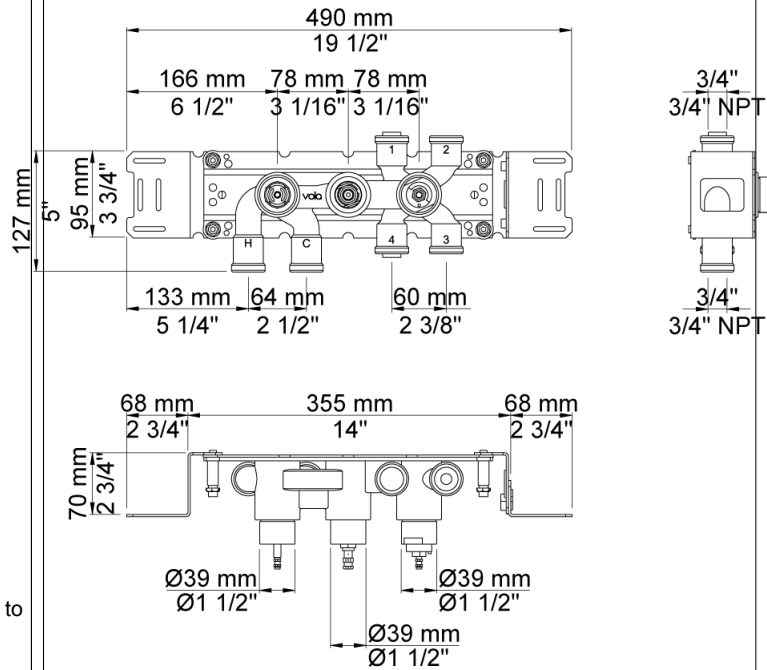
Project:



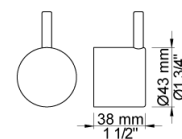
2001
60 mm circular flange. Hole Ø39 mm.



5400V
Thermostatic mixer with diverter, without outlet sockets. 3/4" connection to copper, steel, iron or pex pipe work.



NR51
On/off handle for 5000 and 6000.



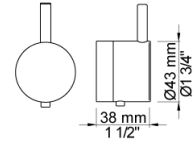
Date:

Client:

Project:



NR52
Thermostatic handle for serie 5000.



NR64G
Diverter handle for 5400/5600. With peg in the same colour as handle (Standard).

